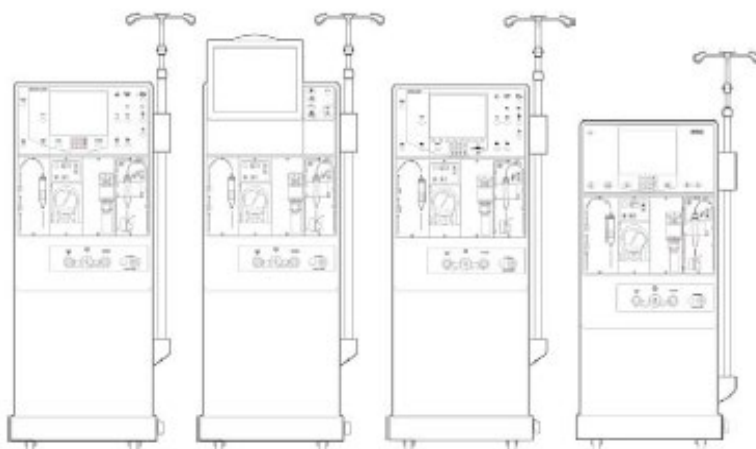




FRESENIUS MEDICAL CARE

2008 SERIES HEMODIALYSIS MACHINE



SPARE PARTS MANUAL

Part Number 490124 Rev. H

**Fresenius Medical Care North America
920 Winter St.
Waltham, MA 02451**

<http://www.fmcna.com>

**Manufactured by:
Fresenius USA, Inc.
4040 Nelson Avenue
Concord, CA 94520**

2008 Series Hemodialysis Spare Parts Manual

© 2008 – 2024 Fresenius Medical Care. All Rights Reserved. Fresenius Medical Care, the triangle logo, 2008, 2008K@Home, 2008T BlueStar, bibag and DIASAFE are trademarks of Fresenius Medical Care Holdings, Inc. or its affiliated companies. All other trademarks are the property of their respective owners.

This document contains proprietary information of Fresenius USA, Inc. d/b/a Fresenius Medical Care North America and its affiliates (“Fresenius Medical Care”). The contents of this manual may not be disclosed to third parties, copied, or duplicated in any form, in whole or in part, without the prior written permission of Fresenius USA, Inc.

The 2008K², 2008K@Home™, 2008T & 2008T BlueStar™ machines constitute the 2008® Series Hemodialysis Machines. In this manual the 2008K² & 2008K@Home hemodialysis machines may be referred to as “2008K Series”.

Caution: US Federal Law restricts this device to sale by or on the order of a physician.

As part of the Conditions for Coverage, it is the medical director’s responsibility that the operators of the Fresenius Medical Care 2008 Series hemodialysis machines, bibag® and Diasafe® must be trained in its operation and thoroughly familiar, being able to distinguish between normal and abnormal operation.

Assembly, installation, adjustment, or repair is to be performed only by persons authorized by the facility medical director or by Fresenius USA, Inc. Field Service Bulletins, and other documentation is located on the Internet at <http://www.fmcna.com>.

For further information regarding the operation, repair, parts, or maintenance of the Fresenius Medical Care 2008 Series hemodialysis machines, please contact:

Fresenius USA, Inc.
4040 Nelson Avenue
Concord, CA 94520

(800) 227-2572

General Warnings



Warning! Never perform maintenance when a patient is connected to the machine. If possible, remove the machine from the treatment area when it is being serviced. Label the machine to ensure it is not accidentally returned to clinical use before the service work is completed. Always fully test the machine when maintenance is completed. Confirm dialysate conductivity and pH level before returning the machine to clinical use.



Shock Hazard: Refer servicing to qualified personnel.

The electrical source must be 120 volts, 60 Hz, single phase. The outlet must be a three-conductor type with a hospital-grade receptacle and a ground fault interrupter. Test the polarity and ground integrity before installation and ensure it is maintained thereafter. Failure to do so may result in electrical shock to the operator or patient



Warning! Only Original Equipment Manufacturer (OEM) Fresenius Medical Care parts should be used in the repair or upgrade of the Fresenius Medical Care 2008 Series Hemodialysis System. Although, parts may look similar to parts in various vendor catalogs or brick and mortar stores the 2008 Series Hemodialysis System uses parts that have been specified and tested in accordance to ANSI/AAMI/ISO guidelines. The use of non-OEM parts will void your warranty and may cause patient harm.

Helpful Info

To order a spare part:

If the part number is known call: 800-227-2572 – **Option 3** – Spare Parts Department to place the order.

If the part number is not known, first look in this manual. If unable to find call: 800-227-2572 – **Option 4**, then **Option 1** – Technical Support to obtain the desired part number.

Technical documentation update notifications are available via email. To subscribe go to:
<http://www.fmcna.com>

TABLE OF CONTENTS

STATEMENT: MINIMUM TESTABLE ASSEMBLIES	IV
1.0.0 CABINET 2008K² & 2008K@HOME	1
1.1.0 CABINET, FRONT, WITH ACCESSORIES.....	3
1.2.0 CABINET, REAR, WITH ACCESSORIES	5
1.3.0 CABINET, REAR, WITH PANELS.....	7
1.4.0 CASTER ASSEMBLY	9
1.4.1 ACUTE CASTER KIT	11
1.5.0 SHUNT ASSEMBLY - COMPLETE	13
1.5.1 SHUNT ASSEMBLY – SIDE VIEW	15
1.5.2 SHUNT ASSEMBLY – REAR VIEW.....	17
1.6.0 DIALYSATE LINES 2008K SERIES	19
2.0.0 CABINET 2008T	21
2.1.0 CABINET WITH ACCESSORIES (2008T).....	23
2.2.0 CASTER ASSEMBLY (2008T)	25
2.3.0 DIALYSATE LINES (2008T).....	27
3.0.0 MONITOR - 2008K² & 2008K@HOME (ELECTRONIC CARD CAGE)	29
3.1.0 FRONT PANELS – 2008K ² & 2008K@HOME.....	31
3.2.0 FRONT PANEL ASSEMBLY, REAR VIEW (2008K ²)	33
3.2.1 FRONT PANEL ASSEMBLY, REAR VIEW (2008K@HOME)	35
3.3.0 MONITOR CHASSIS, REAR PANEL, FRONT VIEW - INSIDE.....	37
3.4.0 MONITOR CHASSIS, REAR PANEL, REAR VIEW - OUTSIDE	39
3.5.0 MONITOR CHASSIS ASSEMBLY, MISC. DETAILS.....	41
3.6.0 MONITOR ASSEMBLY & CIRCUIT BOARDS (2008K ² , 2008K@HOME).....	43
3.7.0 SOFTWARE (2008K ²)	44
3.7.1 SOFTWARE (2008K@HOME)	44
3.7.2 SOFTWARE UPGRADE KITS.....	44
3.8.0 CABLES (2008K ² & 2008K@HOME).....	45
4.0.0 MONITOR 2008T (ELECTRONIC CARD CAGE)	47
4.1.0 FRONT VIEW – FRONT PANEL & DISPLAY ASSEMBLY (2008T).....	49
4.2.0 MONITOR CHASSIS, REAR PANEL, REAR VIEW – OUTSIDE (2008T).....	51
4.3.0 MONITOR CHASSIS, REAR PANEL, FRONT VIEW – INSIDE (2008T)	53
4.4.0 MONITOR ASSEMBLY & CIRCUIT BOARDS (2008T)	55
4.5.0 CABLES (2008T).....	56
4.6.0 UI / MICS BOARD CABLES	57
4.7.0 SOFTWARE (2008T).....	58
5.0.0 POWER SUPPLY.....	59
5.1.0 POWER SUPPLY ASSEMBLY.....	61
5.1.1 POWER SUPPLY, DETAIL A	63
5.1.2 POWER SUPPLY, DETAIL B	65
5.1.3 POWER SUPPLY, DETAIL C	67
5.1.4 POWER SUPPLY, DETAIL D.....	69
5.1.5 POWER SUPPLY, DETAILS E & F	71
5.1.6 POWER SUPPLY, WIRING	72

6.0.0	MODULES	73
6.1.0	LEVEL DETECTOR MODULE - FRONT VIEW	75
6.1.1	LEVEL DETECTOR MODULE - REAR VIEW	77
6.2.0	ARTERIAL BLOOD PUMP - FRONT VIEW	79
6.2.1	ARTERIAL BLOOD PUMP - REAR VIEW	81
6.3.0	DIGITAL HEPARIN PUMP	83
6.4.0	BLOOD PRESSURE MODULE	85
6.5.0	TUBING ORGANIZER PLATE	87
7.0.0	HYDRAULIC ASSEMBLY	88
7.1.0	VALVE SUMMARY	89
7.2.0	HYDRAULIC ASSEMBLY - FRONT VIEW	91
7.2.1	HYDRAULIC ASSEMBLY - REAR VIEW	93
7.2.2	HYDRAULIC ASSEMBLY – TOP VIEW.....	95
7.3.0	HYDRAULIC FRONT PANEL ASSEMBLY	97
7.3.1	HYDRAULICS REAR PANEL ASSEMBLY	99
7.4.0	DISTRIBUTION BOX ASSEMBLY	101
7.5.0	HYDROCHAMBER ASSEMBLY	103
7.6.0	BALANCING CHAMBER ASSEMBLY	105
7.7.0	AIR SEPARATOR ASSEMBLY	107
7.8.0	FLOW/DEAERATION PUMP ASSEMBLY.....	109
7.9.0	CONCENTRATE (ACID) CONNECTOR.....	111
7.9.1	CONCENTRATE (ACID) CONNECTOR ASSEMBLY – NEW STYLE	113
7.10.0	BICARBONATE CONNECTOR.....	115
7.10.1	BICARBONATE CONNECTOR ASSEMBLY – NEW STYLE	117
7.11.0	CONCENTRATE PUMP ASSEMBLY	119
7.12.0	BICARBONATE PUMP ASSEMBLY	121
7.13.0	ULTRAFILTRATION PUMP ASSEMBLY	123
7.14.0	DIASAFE PLUS FILTER ASSEMBLY.....	125
7.15.0	O-RINGS	127
7.16.0	CLAMPS AND FITTINGS	129
7.16.1	2008 SERIES HYDRAULICS: Ts, Ys, & BARBED CONNECTOR - DIAGRAM.....	131
7.16.2	2008 SERIES HYDRAULICS: TUBING CLAMPS	133
7.17.0	TUBING	135
7.17.1	2008 SERIES HYDRAULICS: TUBING (DIAGRAM)	137
8.0.0	2008T BLUESTAR	139
8.1.0	CABINET & CABINET COMPONENTS (2008T BLUESTAR)	140
8.2.0	ELECTRONICS (2008T BLUESTAR) INCLUDING CARD CAGE AND POWER SUPPLY	140
8.3.0	BLOOD PUMP (2008T BLUESTAR).....	141
8.4.0	PUMPS – ACID, BICARBONATE & ULTRAFILTRATION (2008T BLUESTAR)	141
8.5.0	VALVE & VALVE ASSEMBLIES (RATIO TYPE)	142
8.6.0	HYDRAULIC ASSEMBLIES (WITH RATIO TYPE VALVES).....	143
8.7.0	PREVENTATIVE MAINTENANCE (PM) KITS.....	143
8.8.0	2008T BLUESTAR UPGRADE KITS	143
8.9.0	PATIENT CARD READER	145

9.0.0	BIBAG	146
9.1.0	BIBAG CONNECTOR.....	147
9.2.0	BIBAG HYDRAULICS	148
9.3.0	BIBAG HYDRAULICS – DISTRIBUTION BOX.....	149
9.4.0	BIBAG – VALVE 108.....	150
9.5.0	BIBAG – TUBING	151
9.6.0	BIBAG – INTERFACE BOARD & MISCELLANEOUS ITEMS	152
10.0.0	CONCENTRATE FEED SYSTEM	153
10.1.0	CONCENTRATE CANISTERS & WANDS	155
10.1.1	ACETIC ACID (VINEGAR) KIT.....	157
10.1.2	DISINFECTION KIT	157
10.1.3	MISCELLANEOUS	159
11.0.0	TEST EQUIPMENT & KITS.....	161
11.1.0	CALIBRATION & TEST EQUIPMENT	163
11.2.0	FRESENIUS MEDICAL CARE TEST KIT, DETAIL A	165
11.2.1	FRESENIUS MEDICAL CARE TEST KIT, DETAIL B	167
11.3.0	PREVENTIVE MAINTENANCE KIT - 2008K SERIES.....	168
11.3.1	PREVENTIVE MAINTENANCE KIT – 2008T	169
11.3.2	ONE YEAR PREVENTATIVE MAINTENANCE KIT (2008T BLUESTAR)	170
11.3.3	TWO YEAR PREVENTATIVE MAINTENANCE KIT (2008T BLUESTAR).....	171
11.4.0	INTEGRATED AUTO DISINFECT (IAD) KIT	172
11.5.0	ELECTROSTATIC DISCHARGE KIT (ESD) KIT	172

STATEMENT: MINIMUM TESTABLE ASSEMBLIES

Some assemblies in the 2008 Series machine can only be sold complete. These assemblies are 100% tested and are assigned an identification number by Fresenius Medical Care Quality Control. These "Minimum Testable Assemblies" are:

FOR THE 2008K² MACHINE

<u>PART NUMBER</u>	<u>DESCRIPTION</u>
675142	GEAR PUMP HEAD CAN BE USED FOR DEAERATION OR FLOW
F40019666	DEAERATION PUMP HEAD (USE ONLY FOR DEAERATION)
F40005071	BLOOD LEAK DETECTOR
190605	FRONT PANEL INTERFACE BOARD
190164	MUTE/RESET BOARD
190165	POWER LED BOARD
190332	SENSOR BOARD
190232	MOTHER BOARD
190642-XXX*	FUNCTIONAL BOARD
190205-04	COLOR LCD
190246	POWER LOGIC BOARD
190234-XXX*	ACTUATOR-TEST BOARD

*Note: 'XXX' represents the software version of the circuit board – e.g. '275' represents software version 2.75.

STATEMENT: MINIMUM TESTABLE ASSEMBLIES-CONTINUED

FOR THE 2008T MACHINE

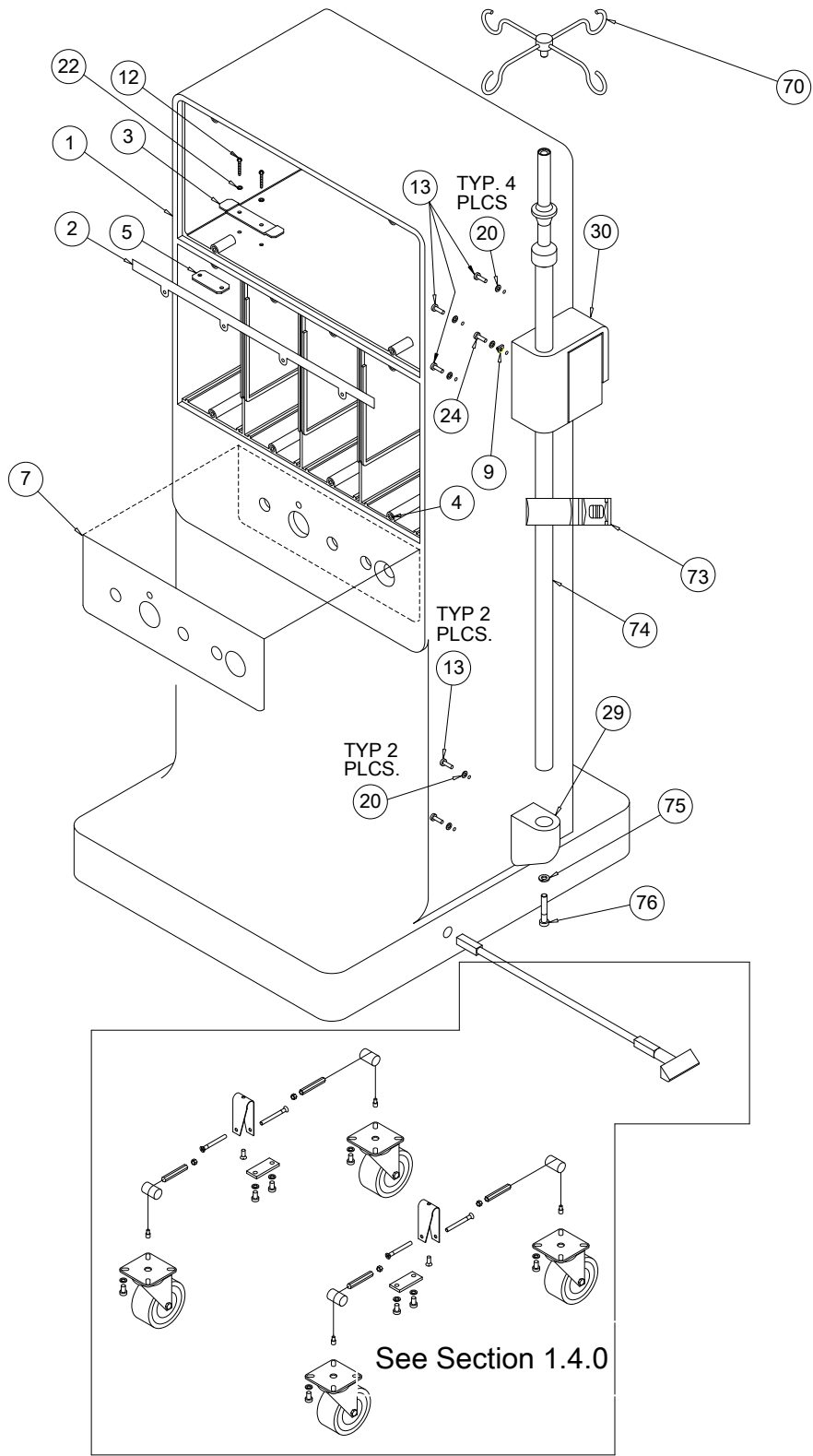
<u>PART NUMBER</u>	<u>DESCRIPTION</u>
675142	GEAR PUMP HEAD CAN BE USED FOR DEAERATION OR FLOW
F40019666	DEAERATION PUMP HEAD (USE ONLY FOR DEAERATION)
F40005071	BLOOD LEAK DETECTOR
190246	POWER LOGIC BOARD
190951-XXX*	POWER LOGIC BOARD
191203-XXX*	ACTUATOR-TEST BOARD
191117	UI/MICS BOARD
191117-01	UI/MICS BOARD W/PC
190332	SENSOR BOARD
190500	MOTHER BOARD
190654-XXX*	FUNCTIONAL BOARD
190856	KEYBOARD ASSEMBLY
190561	TOUCHPAD ASSEMBLY

FOR THE 2008K@HOME MACHINE

<u>PART NUMBER</u>	<u>DESCRIPTION</u>
675142	GEAR PUMP HEAD CAN BE USED FOR DEAERATION OR FLOW
F40019666	DEAERATION PUMP HEAD (USE ONLY FOR DEAERATION)
F40005071	BLOOD LEAK DETECTOR
190332	SENSOR BOARD
190232	MOTHER BOARD
190818-XXX*	FUNCTIONAL BOARD
191261-XXX*	FUNCTIONAL BOARD
190205-04	COLOR LCD
669983-Q	TEST BOARD
190246	POWER LOGIC BOARD (w/ -12V)
190234-XXX*	ACTUATOR-TEST BOARD

*Note: 'XXX' represents the software version of the circuit board – e.g. '275' represents software version 2.75.

1.0.0 CABINET 2008K² &
2008K@HOME



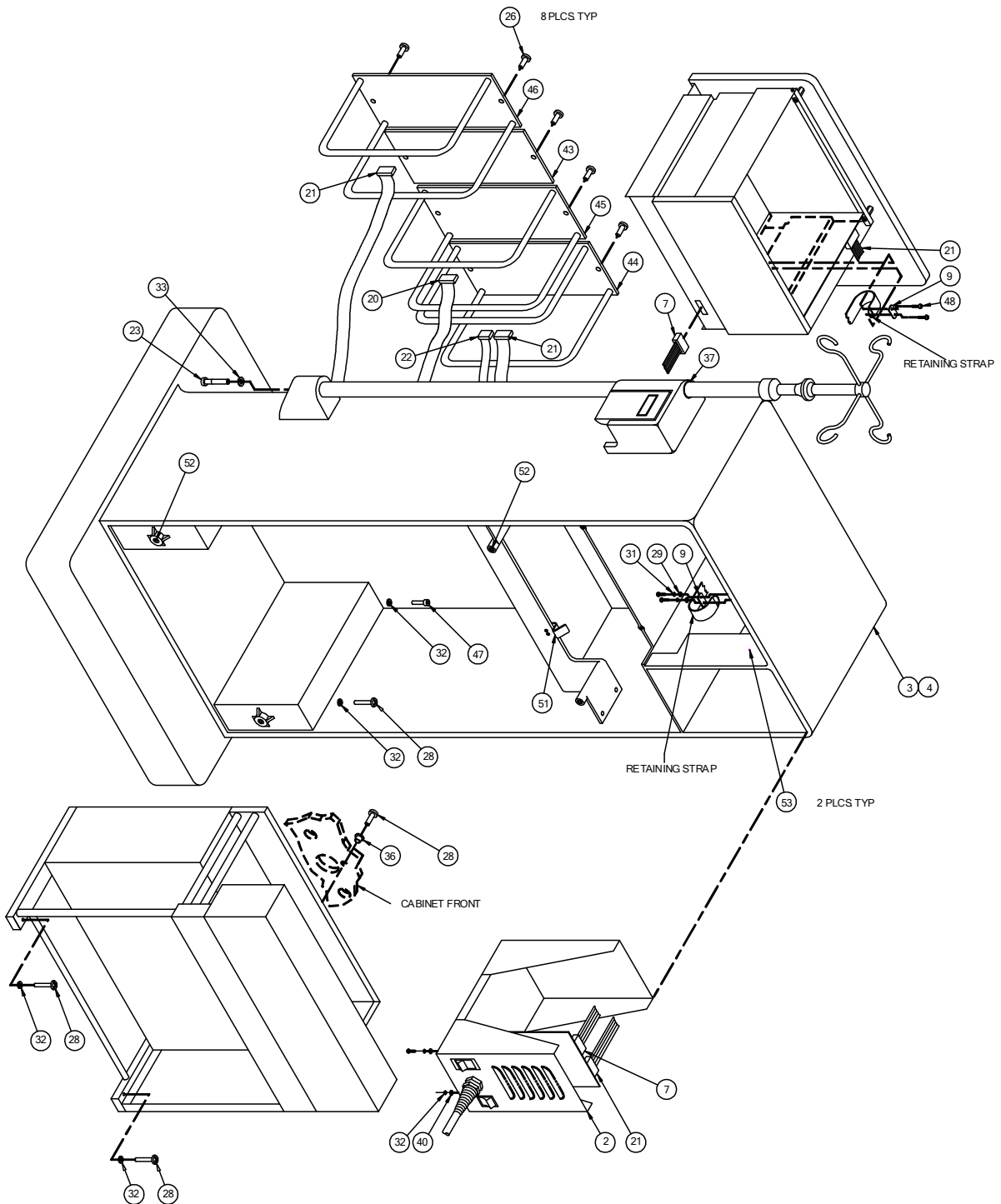
CABINET WITH ACCESSORIES

1.1.0 CABINET, FRONT, WITH ACCESSORIES

SEQ.	PART NUMBER	DESCRIPTION
1	190247	CABINET, COMPLETE (2008K ²) **
1A	190380	CABINET, COMPLETE – SHORT CABINET (2008K@HOME)**
1B	190593	SHIPPING CARTON FOR CABINET* NOTE: IF ORDERING FOR A SHORT CABINET SPECIFY SHORT SIDE PANELS.
2	250131	SEAL STRIP, MODULE
3	290068-01	HOLD DOWN BRACKET
4	330904-01	THREADED INSERT, M-5, BRASS
5	290070	NUT PLATE, POWER SUPPLY
7	490045	PORT OVERLAY
9	537202	CABLE CLAMP, 4mm NYLON
12	552279	SCREW, PNHD PHIL, M4X16 S.S.
13	552312	SCREW, PNHD PHIL, M5X16 S.S.
20	330601-04-01	WASHER, #10, LIGHT FLAT
22	330606-03-01	WASHER, #8 SPLIT LOCK
24	642309	SCREW, PNHD PHIL, M5X20, S
29	290172	LOWER I.V. POLE SUPPORT
30	190932	SHUNT ASSEMBLY, COMPLETE (SEE SECTION 1.5.0)
70	647523	BAG HANGER, IV POLE
73	677792	DIALYZER HOLDER
74	671125	I.V. POLE, (WITHOUT ITEM 70)
75	330937-04-01	LOCKWASHER, SPLIT 5/16" SS
76	552234	SCREW, SHCS, M8X45 S.S.
77	290257	CABINET TOUCHUP PAINT 12oz SPRAY* (LIGHT ROSE GREY)
78	190819	TUBING SUPPORT KIT* (2008K@ HOME)
79	677749	ASSEMBLY, IV POLE AND HANGER – INCLUDES ITEMS: 70, 74, 75 & 76
80	450007	LABEL, TYPE ACID/BICARB ONLY (1:44/45X)*
81	190403	PRIMING BAG HOLDER KIT, MODIFIED CABINET* (FOR 2008K@HOME)
81A	270221	TUBING GUIDE*
81B	330602-01-01	WASHER #4 PLAIN SS*
81C	330936-07-01	PHIL THREAD-FORMING SCREW, 4-24X5/8, SS*
82	191115	KIT, HOOK EXTENDED LINES*
82A	330920-49	SCREW, PAN HD, PHIL #8-18 THREAD, SS*

*ITEM NOT ILLUSTRATED.

**SHIPPING CARTON ALSO REQUIRED.



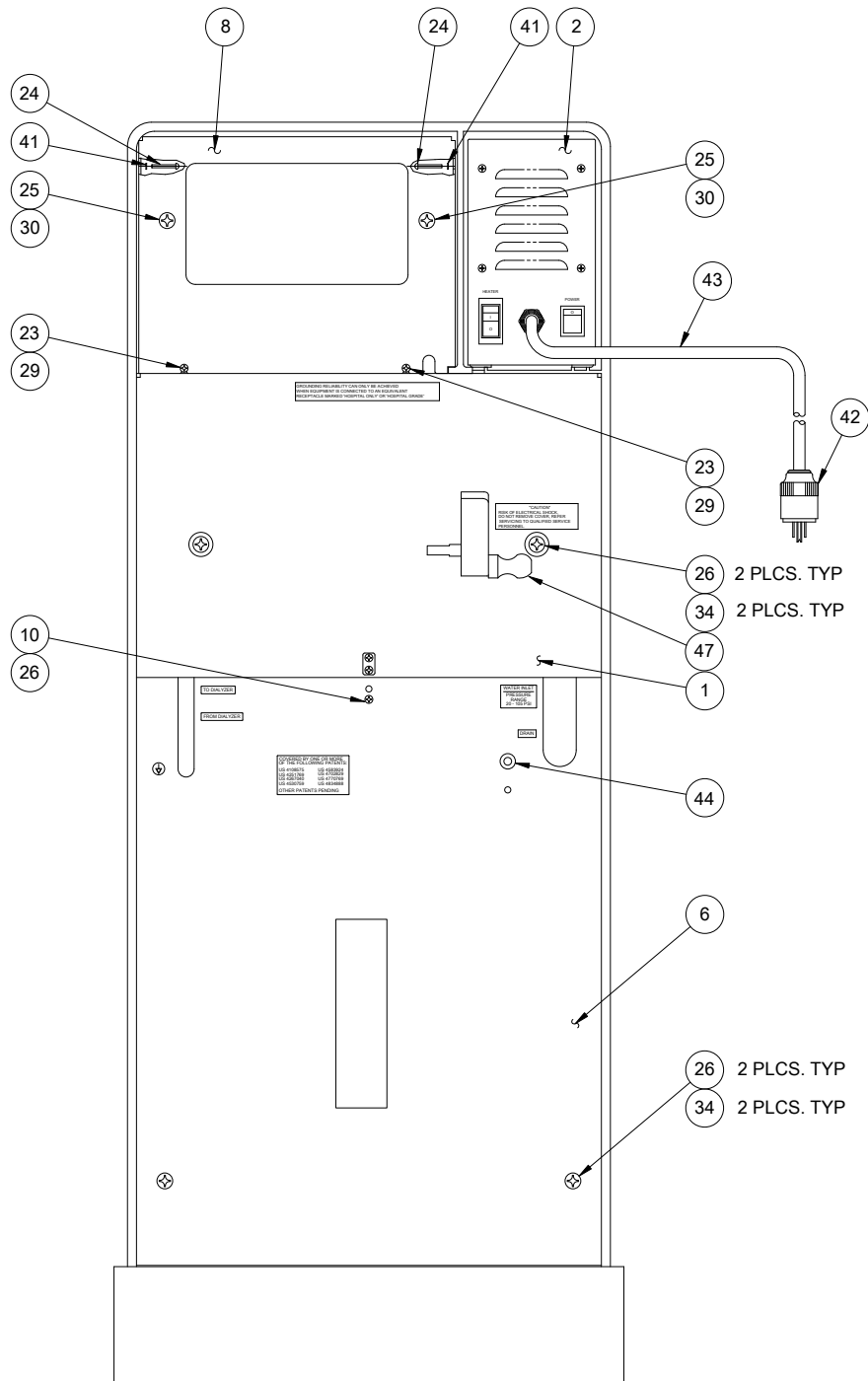
CABINET, REAR WITH ACCESSORIES

1.2.0 CABINET, REAR, WITH ACCESSORIES

SEQ.	PART NUMBER	DESCRIPTION
2	190011	ASSEMBLY, POWER SUPPLY
3	190247	ASSEMBLY, CABINET, (w/Wheels, w/o: Shunt, IV Pole Support) (2008K ²)**
4	190380	ASSEMBLY, CABINET, 2008K@HOME (w/Wheels, w/o Shunt, w/o IV Pole Support)**
5	190593	SHIPPING CARTON FOR CABINET* NOTE: IF ORDERING FOR A SHORT CABINET SPECIFY SHORT SIDE PANELS.
7	190047	MAIN POWER CABLE (24V) – POWER SUPPLY to MOTHER BOARD
9	290056	CLAMP, RETAINING STRAP
20	190124	CABLE, DIGITAL HEPARIN PUMP
21	539148-Q	CABLE, 20 PIN RIBBON, 28" – PWR SUPPLY TO PWR LOGIC BRD.
22	670658-Q	CABLE 10 PIN (BLOOD PUMP TO FUNCTION BOARD – P10)
23	552234	SCREW, SHCS M8X45, S.S.
26	642697	SCREW, FHD PHIL, M5X16, S.S.
28	552345	SCREW, PNHD PHIL, M6X35, S.S.
29	553693	WASHER, FLAT, 4.3mm, S.S.
31	330606-03-01	WASHER, #8 SPLIT LOCK
32	330606-05-01	WASHER, 1/4" SPLIT LOCK
33	330937-04-01	LOCKWASHER, SPLIT 5/16" SS
36	572604	BUSHING, GREY FRONT HYD. SCREW
37	579066	O-RING, 24-1 (IV POLE)
40	642925	WASHER, FLAT OVERSIZED, 6.4mm, S.S.
43	M31268	ARTERIAL PLATE, TUBING ORGANIZER
43A	M31355	DRIP CHAMBER CLIP, ROSE GREY*
43B	M31175	BLANK MODULE PLATE
44	F40008688	BLOOD PUMP MODULE 2008T BLUESTAR (CAN BE USED IN 2008K ² & 2008K@HOME)
45	677971	DIGITAL HEPARIN PUMP MODULE
46	M30340	LEVEL DETECTOR MODULE
47	553315	SCREW, SHCS, M6X16, S.S.
48	644091	SCREW, SELF-LOCKING PHIL, M4X8, S.S.
51	290069	HYDRAULIC HOOK BRACKET
52	330904-01	THREADED INSERT, M-5
53	562296	THREADED INSERT M4X0.7

*ITEM NOT ILLUSTRATED.

**SHIPPING CARTON ALSO REQUIRED

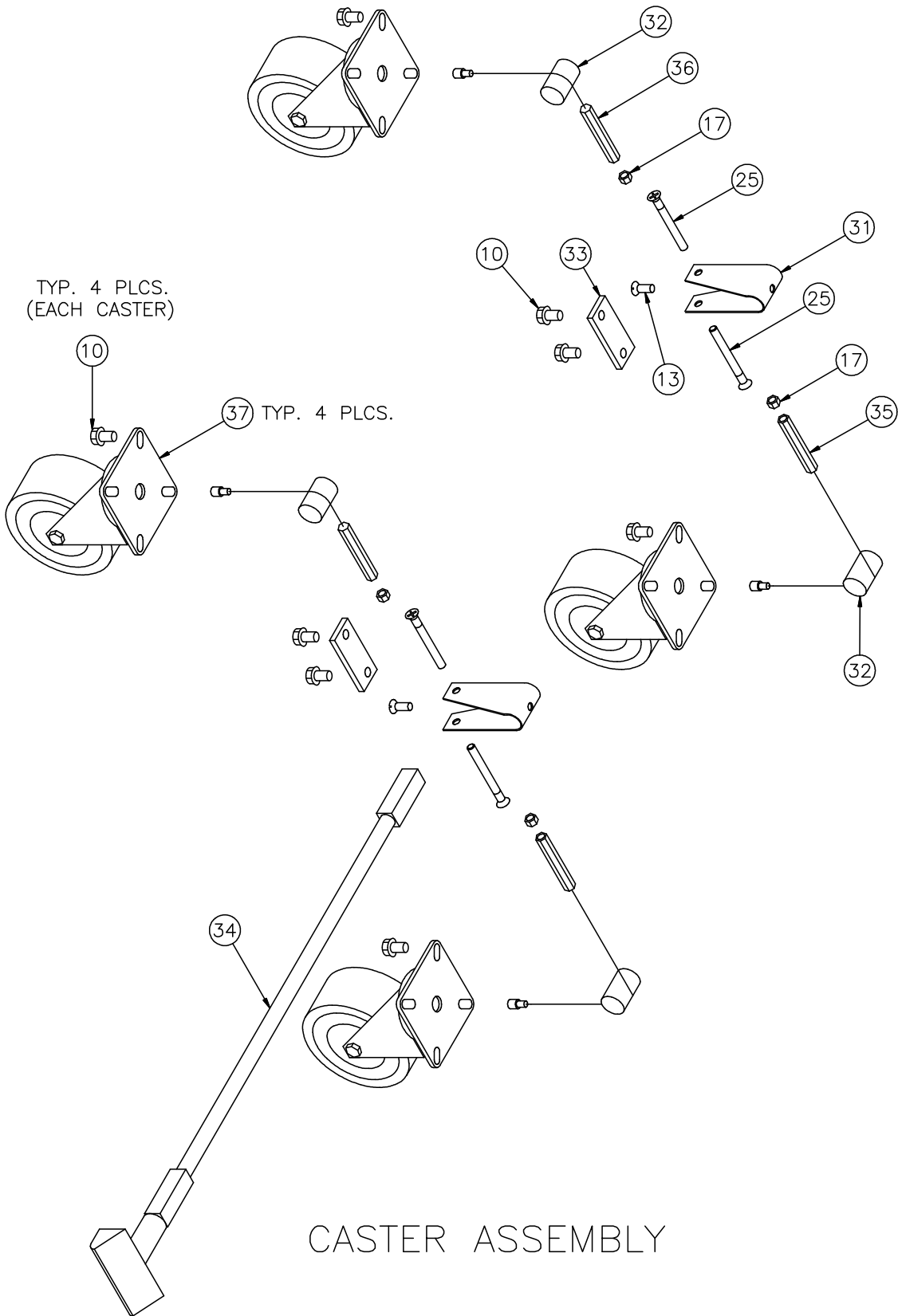


CABINET, REAR, WITH PANELS

1.3.0 CABINET, REAR, WITH PANELS

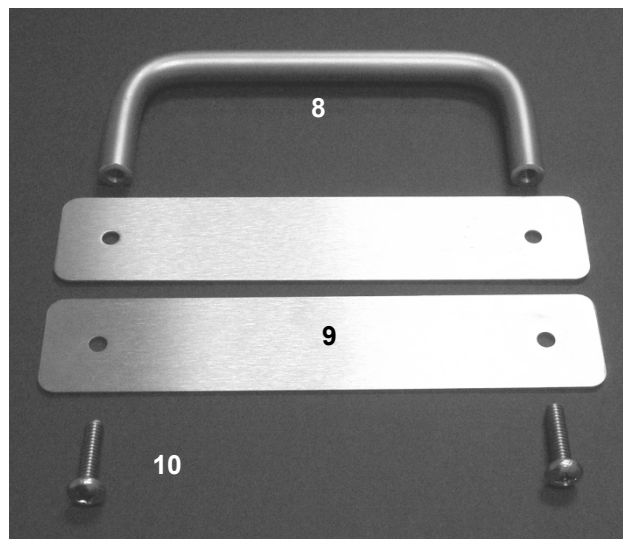
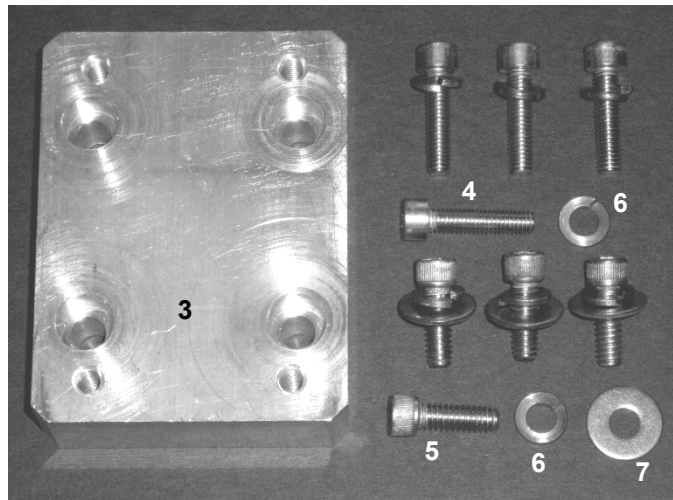
SEQ.	PART NUMBER	DESCRIPTION
1	190212	UPPER REAR PANEL
1A	191122	UPPER REAR PANEL (2008T BLUESTAR PREMIUM)
2	190011	ASSEMBLY, POWER SUPPLY
2A	191111	ASSEMBLY, POWER SUPPLY (2008T BLUESTAR PREMIUM)
6	190324	LOWER REAR PANEL w/ DIASAFE PLUS (FOR 2008K2)
6A	190206	LOWER REAR PANEL * (FOR 2008K2)
6B	190324-01	LOWER REAR PANEL W/DIASAFE PLUS (2008T – NON BLUESTAR PREMIUM)
6C	191121	LOWER REAR PANEL (2008T BLUESTAR PREMIUM)
8	290160	SUPPORT, MONITOR CHASSIS
10	330604-04-01	WASHER, EXT. TOOTH LOCK, #10 S.S.
23	552276	SCREW, PNHD PHIL, M4X10, S.S.
24	552277	SCREW, PNHD PHIL, M4X12, S.S.
25	552312	SCREW, M5X16 PHHD PHIL SS
26	552310	SCREW, PNHD PHIL, M5X8, S.S.
29	553693	WASHER, FLAT, 4.3mm, S.S.
30	330601-04-01	WASHER, #10, LIGHT FLAT
34	559695	WASHER, FLAT, 5.3mm, NYLON
41	643184	BUSHING, BACK PANEL
42	368002-01	POWER PLUG, 15A HOSPITAL GRADE
42A	368002-02	POWER PLUG, 20A HOSPITAL GRADE
43	150425	POWER CABLE, 12FT. (INCLUDES PLUG & LUG CONNECTORS)
44	537119	GROMMET
45	565337	GUIDE PIN, REAR SHORT PANEL*
47	673615	CRANK, BLOOD-PUMP
47A	673618	BLOOD PUMP HAND CRANK RETAINER PIN* NOTE: ACTUAL DESCRIPTION IS – SUPPORT, CIRCUIT BOARD, NY

*ITEM NOT ILLUSTRATED.



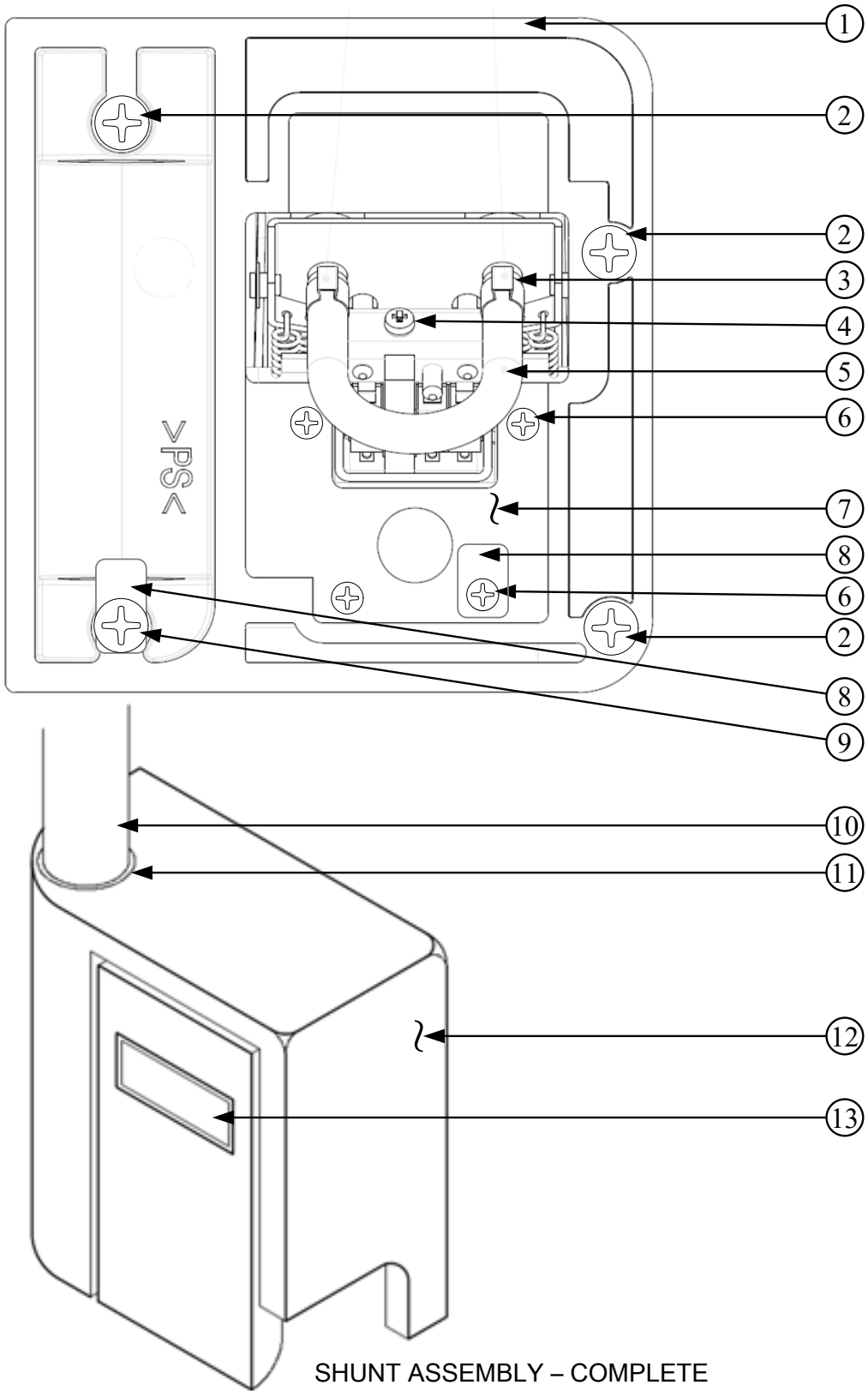
1.4.0 CASTER ASSEMBLY

SEQ.	PART NUMBER	DESCRIPTION
10	330008-08-03	SCREW, HEX HD CAP, M6X12, W/FLANGE
13	552452	SCREW, FLTHD PHIL, M5X12, S.S.
17	553622	NUT, M5, S.S.
25	642983	SCREW, FLTHD PHIL, M5X50, S.S.
31	650857	SPRING, BRAKE ACTUATOR
32	650858-Q	BRAKE CABLE ROLLER
33	650859	CLAMP BRAKE ROD
34	650867	BRAKE PEDAL & SHAFT ASSEMBLY – 2008K SERIES
35	650868	BRAKE CABLE ASSEMBLY, LONG
36	650869	BRAKE CABLE ASSEMBLY, SHORT
37	650924	CASTER, SWIVEL



1.4.1 ACUTE CASTER KIT

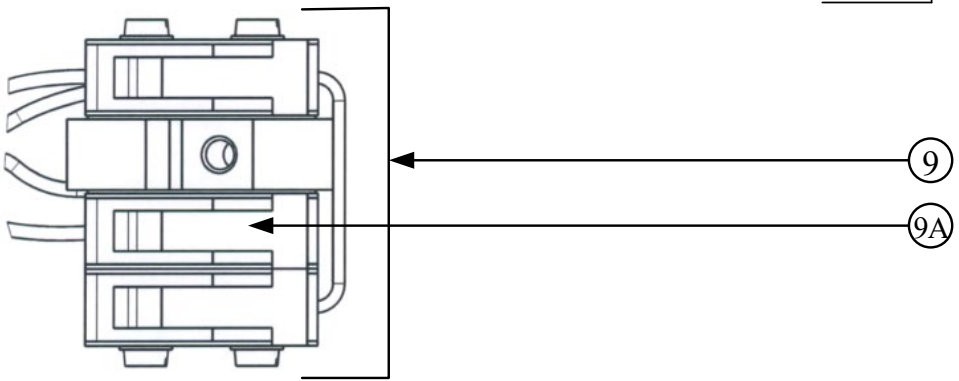
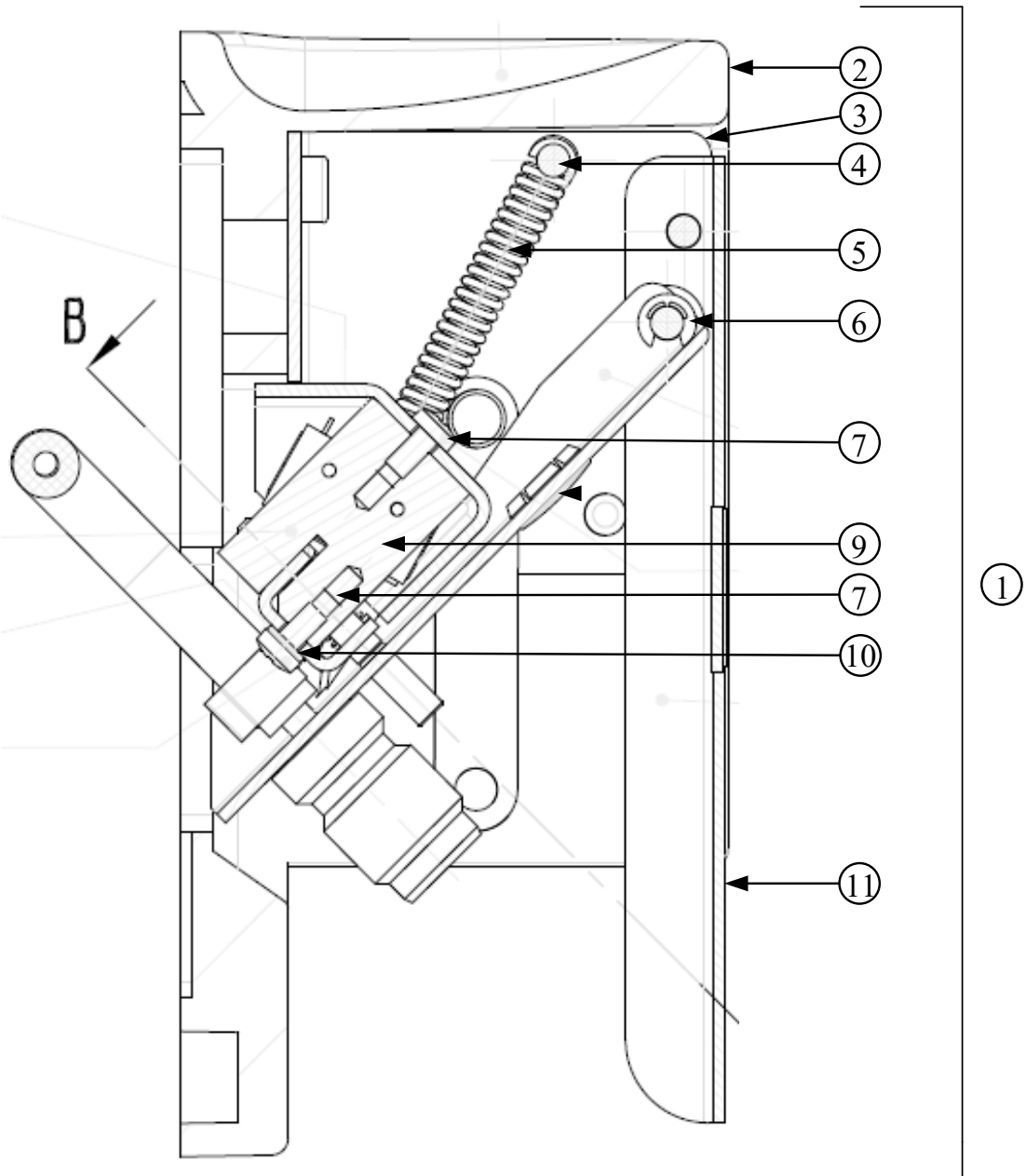
SEQ.	PART NUMBER	DESCRIPTION
	150105	ACUTE CASTER KIT, COMPLETE
1	337040-02	CASTER, 5D X 1-3/8W, WITH BRAKE
2	337040-01	CASTER, 5D X 1-3/8W
3	250070	ACUTE CASTER MOUNTING BLOCK
4	330920-06-01	SOCKET HEAD SCREW M6X25
5	330006-09-01	SOCKET HEAD SCREW 1/4-20 X 3/4"
6	330606-05-01	1/4" SPLIT RING LOCK WASHER
7	642925	OVERSIZED FLAT WASHER
8	337068-02	ACUTE HANDLE
9	250115	ACUTE HANDLE BACKING PLATE
10	330126-10-01	PHILLIPS HEAD SCREW 1/4-20 X 1"



SHUNT ASSEMBLY - COMPLETE

1.5.0 SHUNT ASSEMBLY - COMPLETE

SEQ.	PART NUMBER	DESCRIPTION
1	291143	SHUNT HOUSING (ONLY), FINISHED WITH INSERTS
2	552312	SCREW, PHHD PHIL, M5X16 S.S
3	572727	CLAMP
4	552243	SCREW, M3 X 6 SS PAN HD PHIL
5	M38207	TUBING,3MM ID,2.5MM WALL,SILICONE,WHITE, 3 METERS
5A	F50004811	SIL. TUBE WHITE REINF, 3.3 X 2.2MM, ROLL – 100 METERS
6	552247	SCREW, PHIL. M3 X 16MM
7	F50008902	SHUNT BRACKET ASSEMBLY
8	537202	CABLE CLAMP
9	642309	SCREW, PNHD PHIL, M5X20, S.S
10	671125	I.V. POLE (WITHOUT HANGER)
11	579066	O-RING
12	190932	ASSEMBLY, 2008K SHUNT, ROSE GREY, FERRITE
13	570088	SHUNT DOOR WARNING LABEL

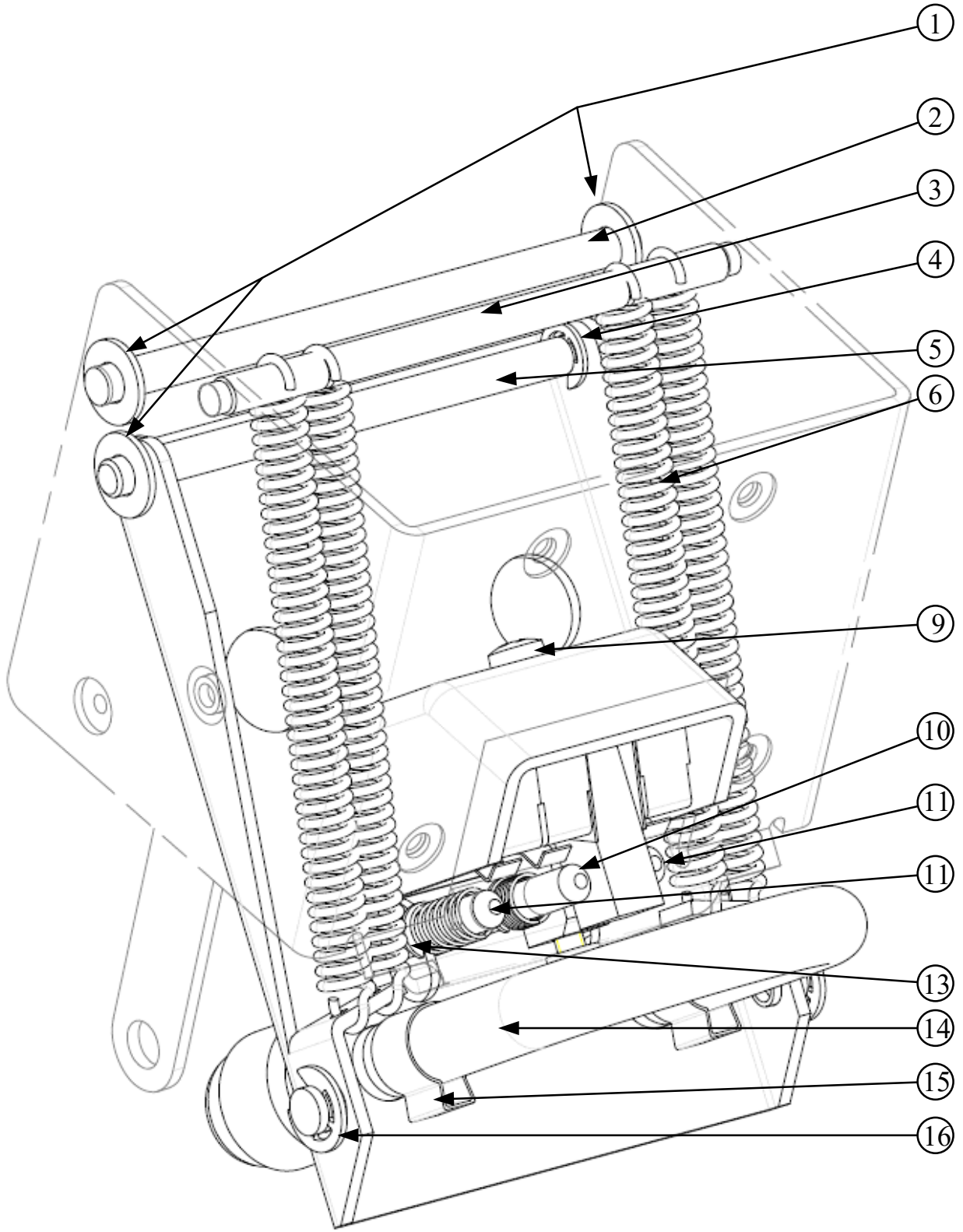


SHUNT ASSEMBLY – SIDE VIEW

1.5.1 SHUNT ASSEMBLY – SIDE VIEW

SEQ.	PART NUMBER	DESCRIPTION
1	190932	ASSEMBLY, SHUNT, ROSE GREY
2	291143	SHUNT HOUSING (ONLY) FINISHED W/ INSERTS
3	F50008902	SHUNT BRACKET ASSEMBLY
4	566189	SHAFT FOR SHUNT INTERLOCK
5	563002	TENSION SPRING
6	563149	RETAINING RING (3.2 mm) – CIRCLIP
7	552243	SCREW, M3 X 6 SS PAN HD PHIL
9	M42408	MICROSWITCH ASSEMBLY, W/CABLE
9A	534022	MICROSWITCH (3 REQUIRED)
10	553717	LOCKWASHER, 3mm, S.S.
11	676401	SHUNT DOOR ASSEMBLY

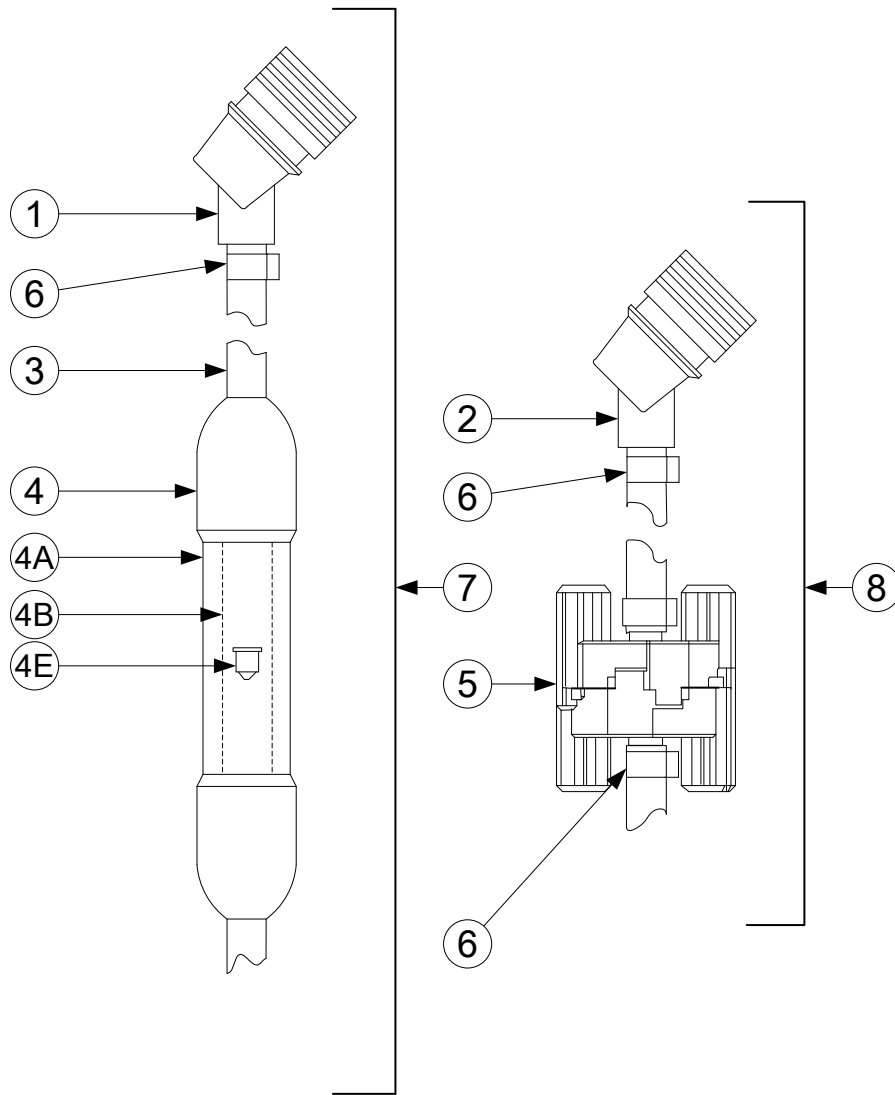
*ITEM NOT ILLUSTRATED.



SHUNT ASSEMBLY REAR VIEW

1.5.2 SHUNT ASSEMBLY – REAR VIEW

SEQ	PART NUMBER	DESCRIPTION
1	559094	WASHER, 4mm NYLON
2	565166	SHAFT FOR SHUNT INTERLOCK
3	566189	SHAFT FOR SHUNT INTERLOCK
4	563149	RETAINING RING (3.2 mm) – CIRCLIP
5	566177	OUTER DOOR SHAFT
6	563002	TENSION SPRING
9	552243	SCREW, M3 X 6 SS PAN HD PHIL
10	566187	SWITCH PLUNGER ROD – DOOR OPEN
11	565786	SWITCH PLUNGER ROD – QUICK DISCONNECT
13	563148	RETAINING RING (CIRCLIP) FOR SPRING ON ALL PLUNGER RODS.
14	M38207	TUBING, 3MM ID, 2.5MM WALL, SILICONE, WHITE, 3 METERS
14A	F50004811	SIL. TUBE WHITE REINF, 3.3 X 2.2MM, ROLL – 100 METERS
15	572727	CLAMP
16	563150	RETAINING RING (CIRCLIP, 4MM)



DIALYSATE LINES -2008K SERIES

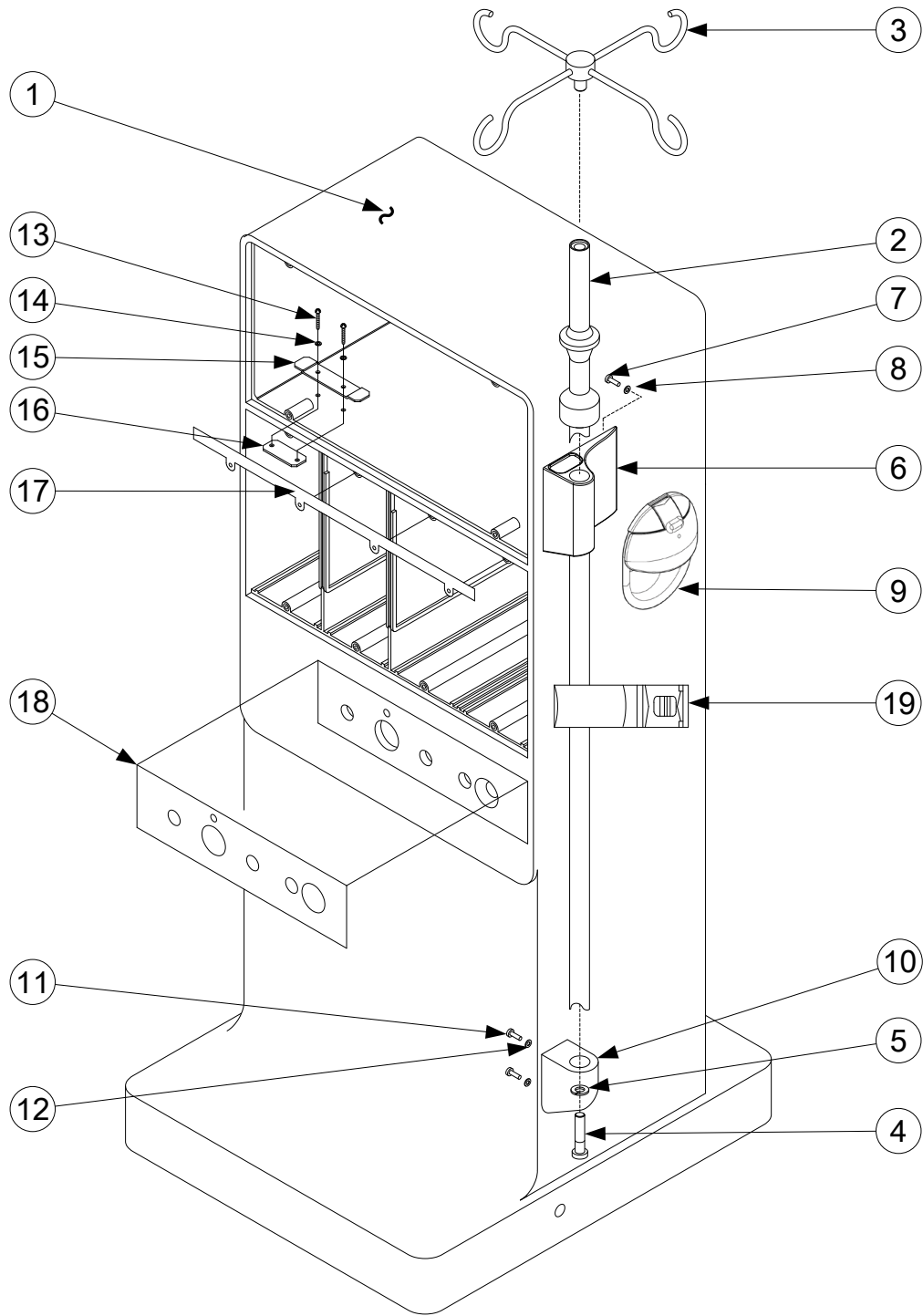
1.6.0 DIALYSATE LINES 2008K SERIES

SEQ.	PART NUMBER	DESCRIPTION
1	641985	DIALYZER CONNECTOR – BLUE
2	641984	DIALYZER CONNECTOR – RED
3	642391	BRAIDED HOSE – (ROLL – 33 FEET)
4	M32497	FLOW INDICATOR COMPLETE
4A	M35686	OUTER TUBE WITH THREADS
4B	567394	INNER TUBE, TAPERED GLASS
4C	567207	SEAL, LARGE*
4D	567208	SEAL, SMALL*
4E	567206	FLOW BOB
5	650114	DIALYSATE FILTER, COMPLETE
5A	F40007105	O-RING*
5B	650113	FILTER INSERT*
6	642428	CLAMP, 1 EAR, HOSE, 11.1-13.1 MM,SS
7	641992	BLUE DIALYSATE TUBING ASSEMBLY
8	641993	RED DIALYSATE TUBING ASSEMBLY
9	579097	O-RING FOR ITEMS 1 AND 2* (BLUE)
10	650993	DIALYSATE SAMPLE VALVE, INCLUDES CLAMPS* INCLUDES 13.8 MM BAND CLAMP NOT SOLD SEPARATELY

*ITEM NOT ILLUSTRATED.

2.0.0 CABINET 2008T

NOTE: Many cabinet components are the same between the 2008K Series machines and the 2008T machine, however, there are differences. If you do not find the desired 2008T cabinet component in this section, refer to the corresponding 2008K Series section.



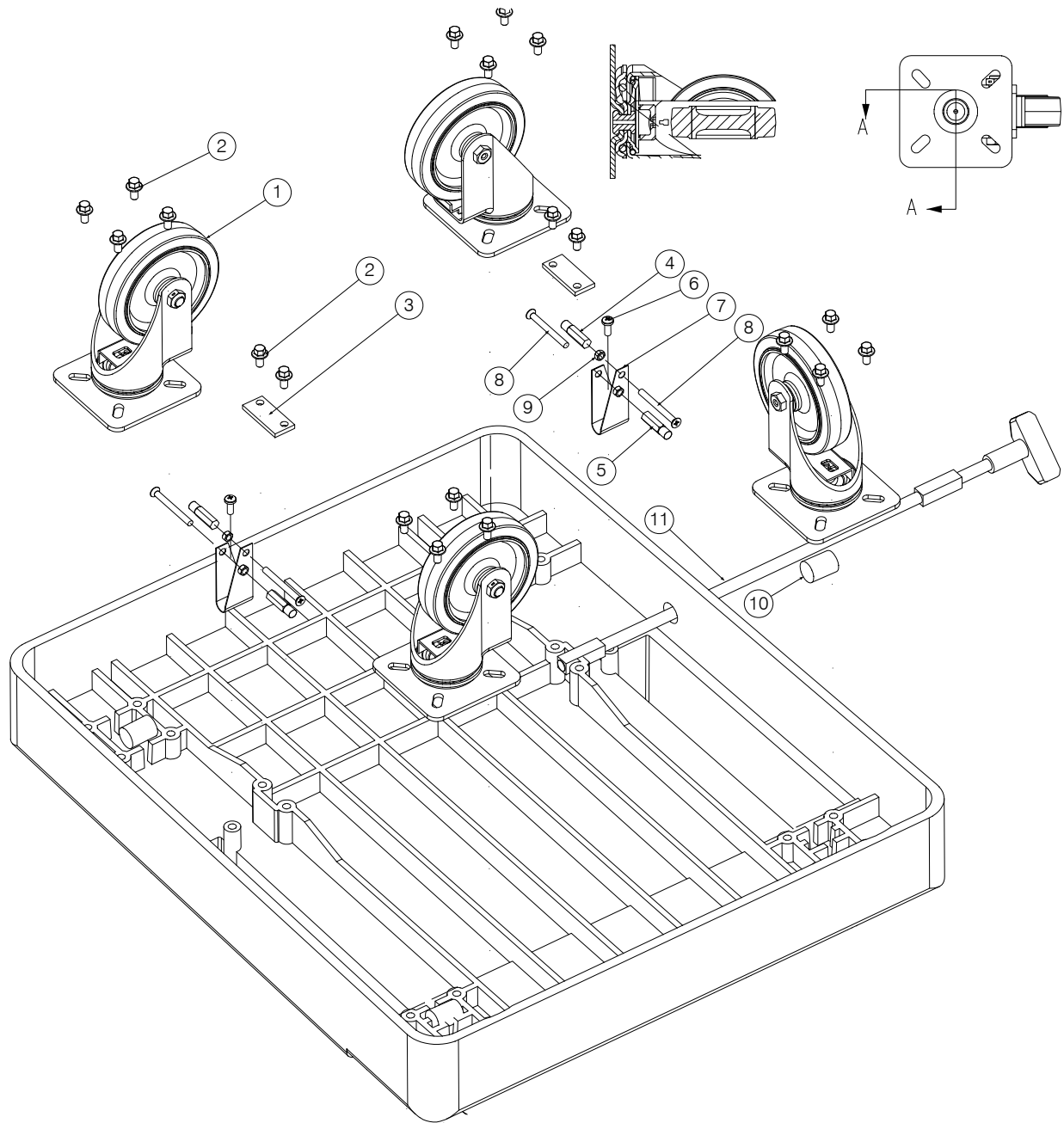
CABINET WITH ACCESSORIES – 2008T

2.1.0 CABINET WITH ACCESSORIES (2008T)

SEQ.	PART NUMBER	DESCRIPTION
1	191246	CABINET ASSEMBLY, NON-BIBAG
1A	191247	CABINET ASSEMBLY, BIBAG
1B	191248	CABINET ASSEMBLY, 2008T BLUESTAR, NON-BIBAG
1C	191249	CABINET ASSEMBLY, 2008T BLUESTAR, BIBAG
NOTE: ITEMS 1, 1A, 1B, & 1C INCLUDE SHIPPING CARTON, CASTERS, BRAKE, PORT OVERLAY, UPPER AND LOWER I.V. & POLE HOLDERS		
2	671125	I.V. POLE WITHOUT BAG HANGER (W/O ITEMS 3, 4, & 5)
3	647523	BAG HANGER, IV POLE
4	552234	SCREW, SHCS, M8X45 S.S.
5	330937-04-01	LOCKWASHER, SPLIT 5/16"
6	290536	UPPER POLE MOUNT
6A	290536-02	UPPER POLE MOUNT (2008T BLUESTAR)
7	552279	SCREW, M4X16, PHHD PHIL, SS
8	553699	WASHER, M4 FLAT, DIN9021
9	M43614	SHUNT INTERLOCK (2008T) DOES NOT COME WITH ITEM 9A OR 9B
9A	290562	SHUNT COVER*
9B	330920-42-01	SHUNT BOX MOUNTING SCREW *
10	290172	LOWER I.V. POLE SUPPORT
10A	290172-02	LOWER I.V. POLE SUPPORT (2008T BLUESTAR)
11	552312	SCREW, PHHD PHIL, M5X20, SS
12	330601-04-01	WASHER, #10, LIGHT FLAT
13	552279	SCREW M4 X 16 PNHD PHIL SS
14	330606-03-01	WASHER, #8, SPLIT LOCK
15	290068-01	HOLD DOWN BRACKET
16	290070	NUT PLATE, UPPER POWER SUPPLY
17	250131	SEAL STRIP, MODULE
18	490045	PORT OVERLAY
18A	490317	PORT OVERLAY (2008T BLUESTAR)
19	677792	DIALYZER HOLDER
20	190709	BRAKE PEDAL SHAFT ASSEMBLY* – SEE PAGE 25
21	677749	ASSEMBLY, IV POLE AND HANGER – INCLUDES ITEMS: 2, 3, 4, & 5
22	450007	LABEL, COBE TYPE ACID/BICARB ONLY (1:44/45X)*

*ITEM NOT ILLUSTRATED

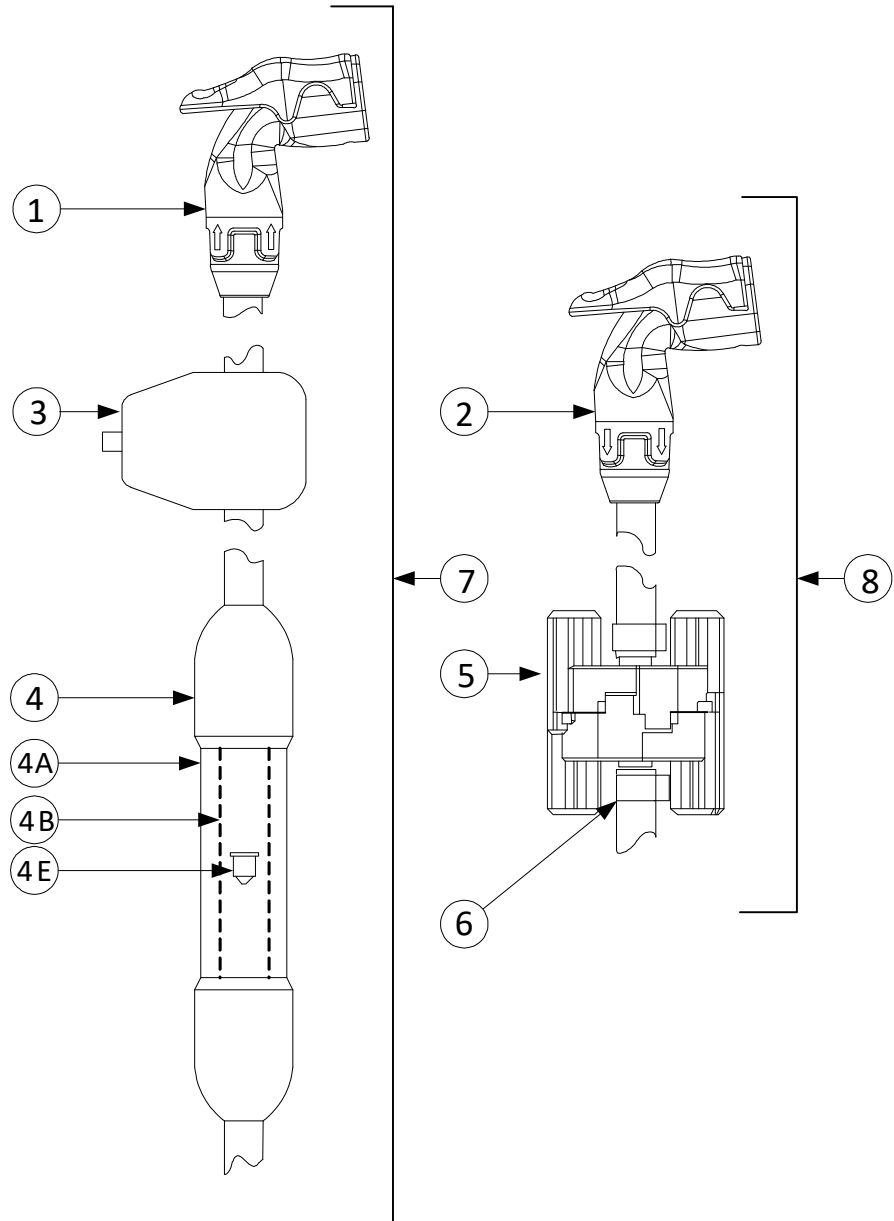
NOTE: SEE PAGE 25 FOR CASTERS OR PAGE 11 FOR ACUTE CASTER KIT.



CASTER ASSEMBLY

2.2.0 CASTER ASSEMBLY (2008T)

SEQ	PART NUMBER	DESCRIPTION
1	650924	CASTER, SWIVEL
2	330008-08-03	SCREW, HEX HD CAP, M6X12, W/FLANGE
3	650859	PLATE, CLAMP BRAKE ROD
4	650869	BRAKE CABLE ASSEMBLY, SHORT
5	650868	BRAKE CABLE ASSEMBLY, LONG
6	552452	SCREW, PHIL, FH, M5X12, SS
7	650857	SPRING, BRAKE ACTUATOR STAMPED & FORME
8	642983	SCREW, M5X50, PHIL FLATHEAD SS
9	553622	NUT, M5 SS
10	650858-Q	BRAKE CABLE ROLLER
11	190709	BRAKE SHAFT ASSEMBLY



DIALYSATE LINES – 2008T

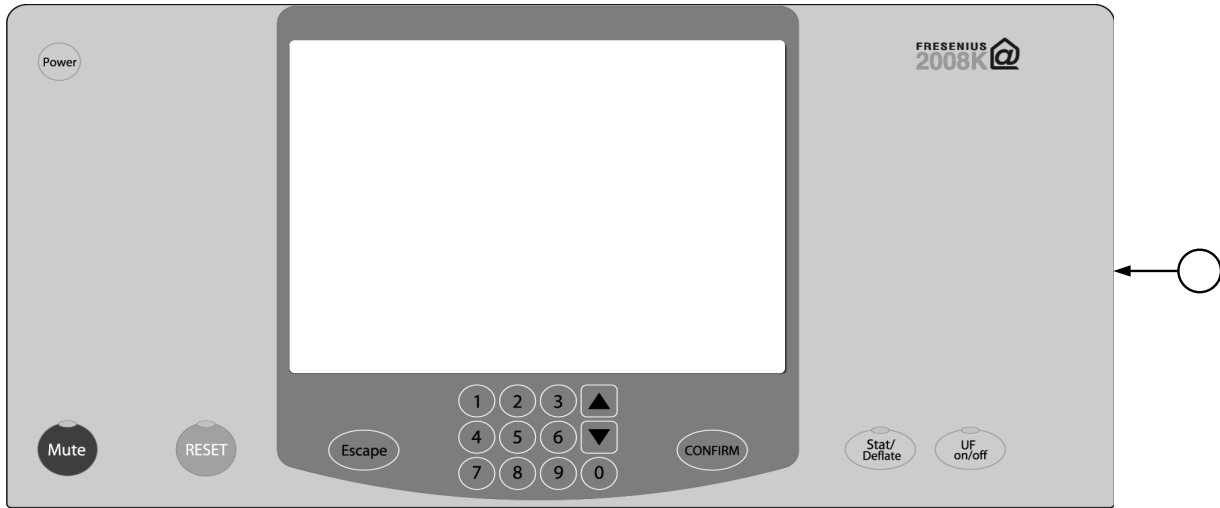
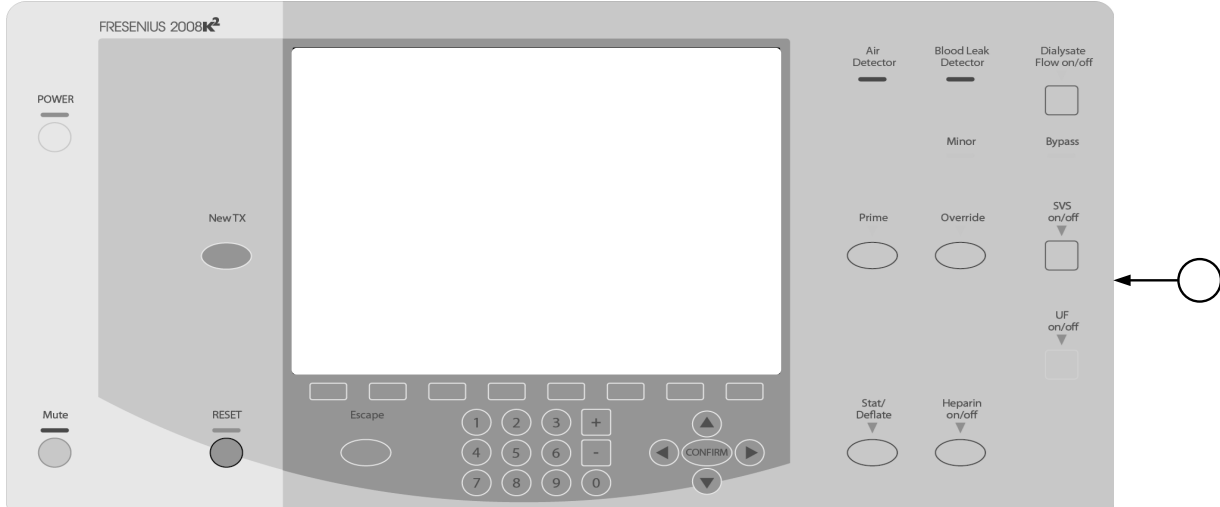
2.3.0 DIALYSATE LINES (2008T)

SEQ.	PART NUMBER	DESCRIPTION
1	M43611	DIALYZER CONNECTOR – BLUE
2	M43610	DIALYZER CONNECTOR – RED
3	650993	DIALYSATE SAMPLE VALVE, INCLUDES CLAMPS INCLUDES 13.8 MM BAND CLAMP NOT SOLD SEPARATELY
4	M32497	FLOW INDICATOR COMPLETE
4A	M35686	OUTER TUBE WITH THREADS
4B	567394	INNER TUBE, TAPERED GLASS
4C	567207	SEAL, LARGE*
4D	567208	SEAL, SMALL*
4E	567206	FLOW BOB
5	650114	DIALYSATE FILTER, COMPLETE
5A	F40007105	O-RING*
5B	650113	FILTER INSERT*
6	642428	CLAMP, 1 EAR, HOSE, 11.1-13.1 MM,SS
7	M43613	BLUE DIALYSATE TUBING ASSEMBLY
8	M43612	RED DIALYSATE TUBING ASSEMBLY
9	M42674	O-RING FOR ITEMS 1 AND 2* (BLACK)

NOTE: 2008T DIALYSATE LINE TUBING NOT SOLD SEPARATELY. CAN ONLY BE OBTAINED WITH THE COMPLETE ASSEMBLY – ITEMS 7 OR 8.

*ITEM NOT ILLUSTRATED.

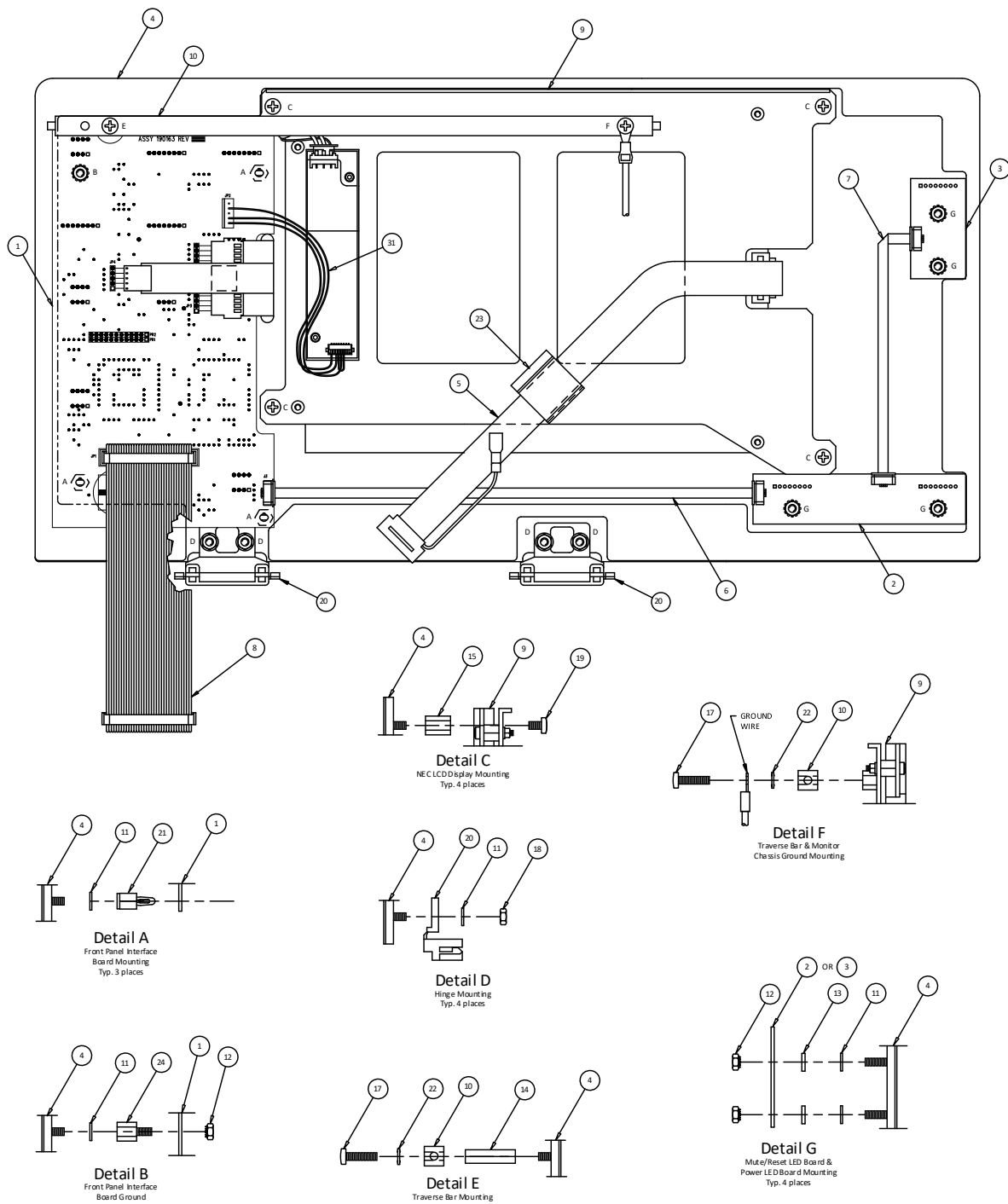
3.0.0 MONITOR - 2008K² &
2008K@HOME (ELECTRONIC CARD
CAGE)



3.1.0 FRONT PANELS – 2008K² & 2008K@HOME

SEQ.	PART NUMBER	DESCRIPTION
1	190613	FRONT PANEL, 2008K ² , WITH SEAL*
1A	190641	ASSY, 2008K2 FRONT PANEL W/O LCD ASSY
2	190394	FRONT PANEL, 2008K@HOME, WITH SEAL*

* DOES NOT COME WITH THE LCD ASSEMBLY, FRONT PANEL INTERFACE BOARD OR ANY COMPONENTS OF THE FRONT PANEL ASSEMBLY.

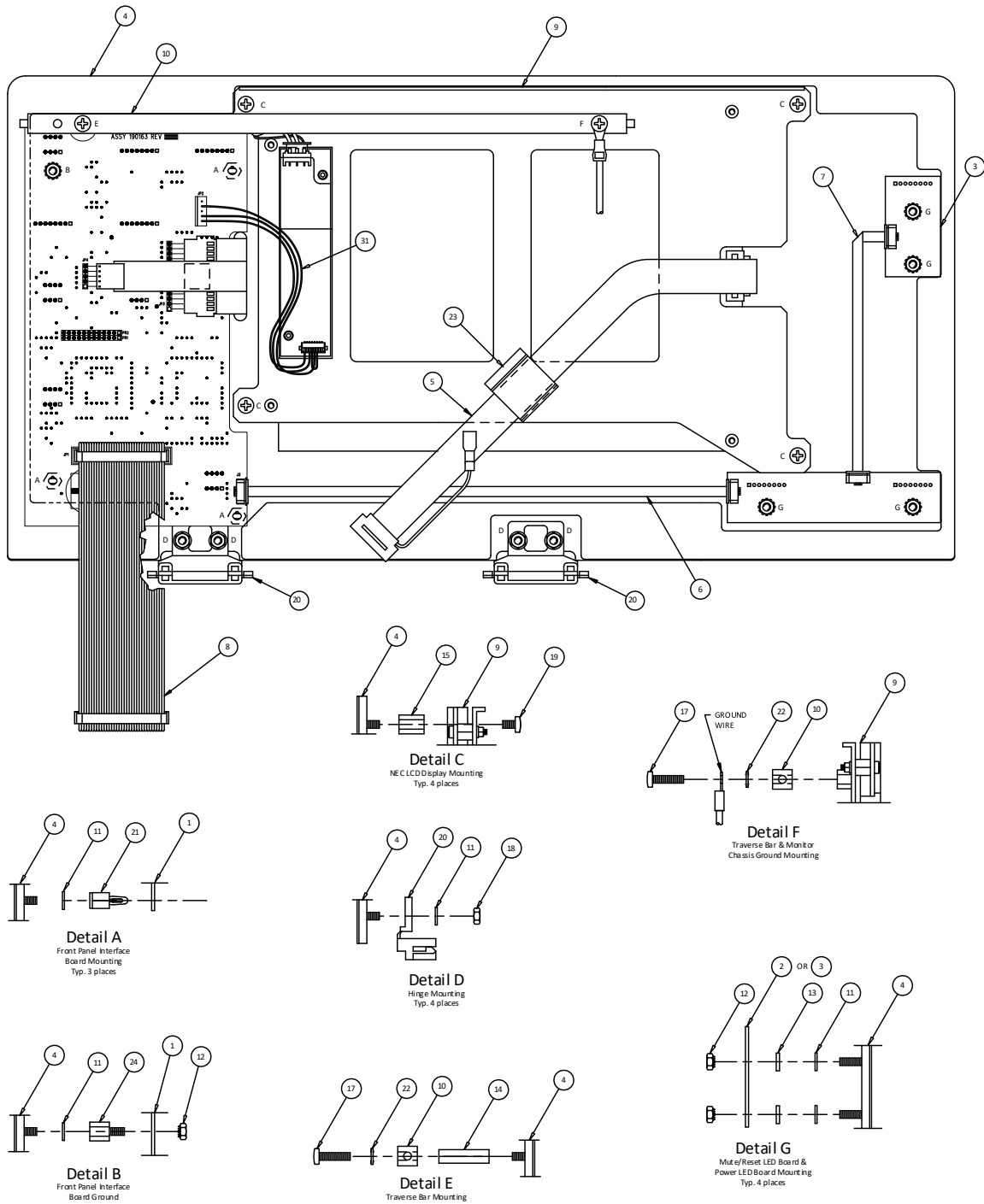


FRONT PANEL ASSEMBLY, REAR VIEW – 2008K²

3.2.0 FRONT PANEL ASSEMBLY, REAR VIEW (2008K²)

SEQ.	PART NUMBER	DESCRIPTION
1	190605	ASSEMBLY, FRONT PANEL INTERFACE BOARD
2	190164	ASSEMBLY, MUTE/RESET LED BOARD
3	190165	ASSEMBLY, POWER LED BOARD
4	190613	FRONT PANEL, 2008K ² WITH SEAL
4A	190641	ASSY, 2008K2 FRONT PANEL W/O LCD ASSEMBLY (INCLUDES ITEMS: 1,2,3,4,6 &7)
5	190511	ASSEMBLY, DISPLAY DATA CABLE
6	335108-10	CABLE JUMPER 10" LONG (MUTE/RESET LED BOARD CABLE)
7	335108-06	CABLE JUMPER 6" LONG (POWER LED BOARD CABLE)
8	190015	ASSEMBLY, FRONT PANEL DATA CABLE (5" LONG)
9	190205-04	ASSEMBLY, COLOR LCD DISPLAY, NEC 64
10	290012	DISPLAY TRAVERSE BAR
11	330602-03-01	WASHER, #8, FLAT, MED
12	330705-04-02	NUT, M4, EXT LOCK WASHER
13	338005-02-01	WASHER, CAPTIVE #8, 1/16" THICK
14	338011-03	SPACER, 8mm HEX x 0.7, THREADED 25MM LONG
15	338011-04	STANDOFF, 8mm HEX, M4x13
17	552279	SCREW, PNHD PHIL, M4X16, S.S.
18	553621	NUT, HEX, M4 DIN 934ST
19	644091	SCREW, PNHD PHIL, M4X8, S.S. LOCK
20	F40014637	HINGE, NYLON, FRONT PANEL
21	646378	CIRCUIT BOARD SUPPORT, M4X10
22	553733	WASHER, INT. TOOTH LOCK, A4.3, S.S.
23	368312-02	MOUNT, FLAT CABLE, ADHESIVE BACKED
24	647179	STANDOFF, M4X10, IN & OUT, METAL
31	190343	FRONT PANEL BD. TO INVERTER BD. CABLE (USE WITH ITEM 9)*
33	645482	LED INDICATOR, GREEN-HLMP-2855 (USED WITH ITEM 1)*

*ITEM NOT ILLUSTRATED.

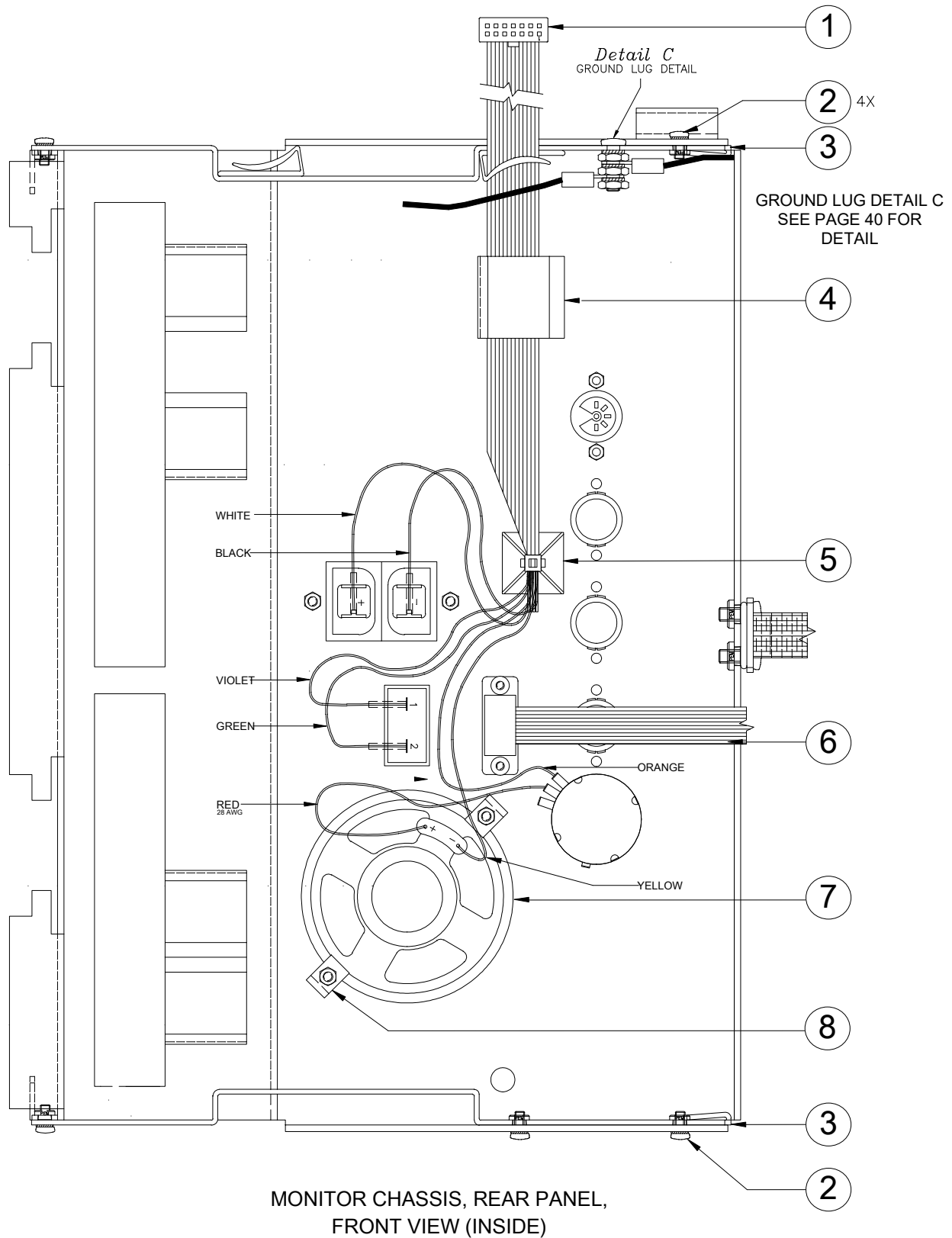


FRONT PANEL ASSEMBLY, REAR VIEW – 2008K@HOME

3.2.1 FRONT PANEL ASSEMBLY, REAR VIEW (2008K@HOME)

SEQ.	PART NUMBER	DESCRIPTION
4	190394	FRONT PANEL, 2008K@HOME WITH SEAL
5	190511	ASSEMBLY, DISPLAY DATA CABLE
6	335108-10	CABLE JUMPER 10" LONG (MUTE/RESET LED BOARD CABLE)
8	190015	ASSEMBLY, FRONT PANEL DATA CABLE (5" LONG)
8A	190200	ASSEMBLY, FRONT PANEL DATA CABLE (11" LONG)
9	190205-04	ASSEMBLY, COLOR LCD DISPLAY, NEC 64
10	290012	DISPLAY TRAVERSE BAR
11	330602-03-01	WASHER, #8, FLAT, MED
12	330705-04-02	NUT, M4, EXT LOCK WASHER
14	338011-03	SPACER, 8mm HEX x 0.7, THREADED 25MM LONG
15	338011-04	STANDOFF, 8mm HEX, M4x13MM
17	552279	SCREW, PNHD PHIL, M4X16, S.S.
18	553621	NUT, HEX, M4 DIN 934ST
19	644091	SCREW, PNHD PHIL, M4X8, S.S. LOCK
20	F40014637	HINGE, NYLON, FRONT PANEL
21	646378	CIRCUIT BOARD SUPPORT, M4X10
22	553733	WASHER, INT. TOOTH LOCK, A4.3, S.S.
23	368312-02	MOUNT, FLAT CABLE, ADHESIVE BACKED
24	647179	STANDOFF, M4X10, IN & OUT, METAL
31	190343	FRONT PANEL BD. TO INVERTER BD. CABLE (USE WITH ITEM 9)
33	645482	LED INDICATOR, GREEN-HLMP-2855 (USED WITH ITEM 1)*

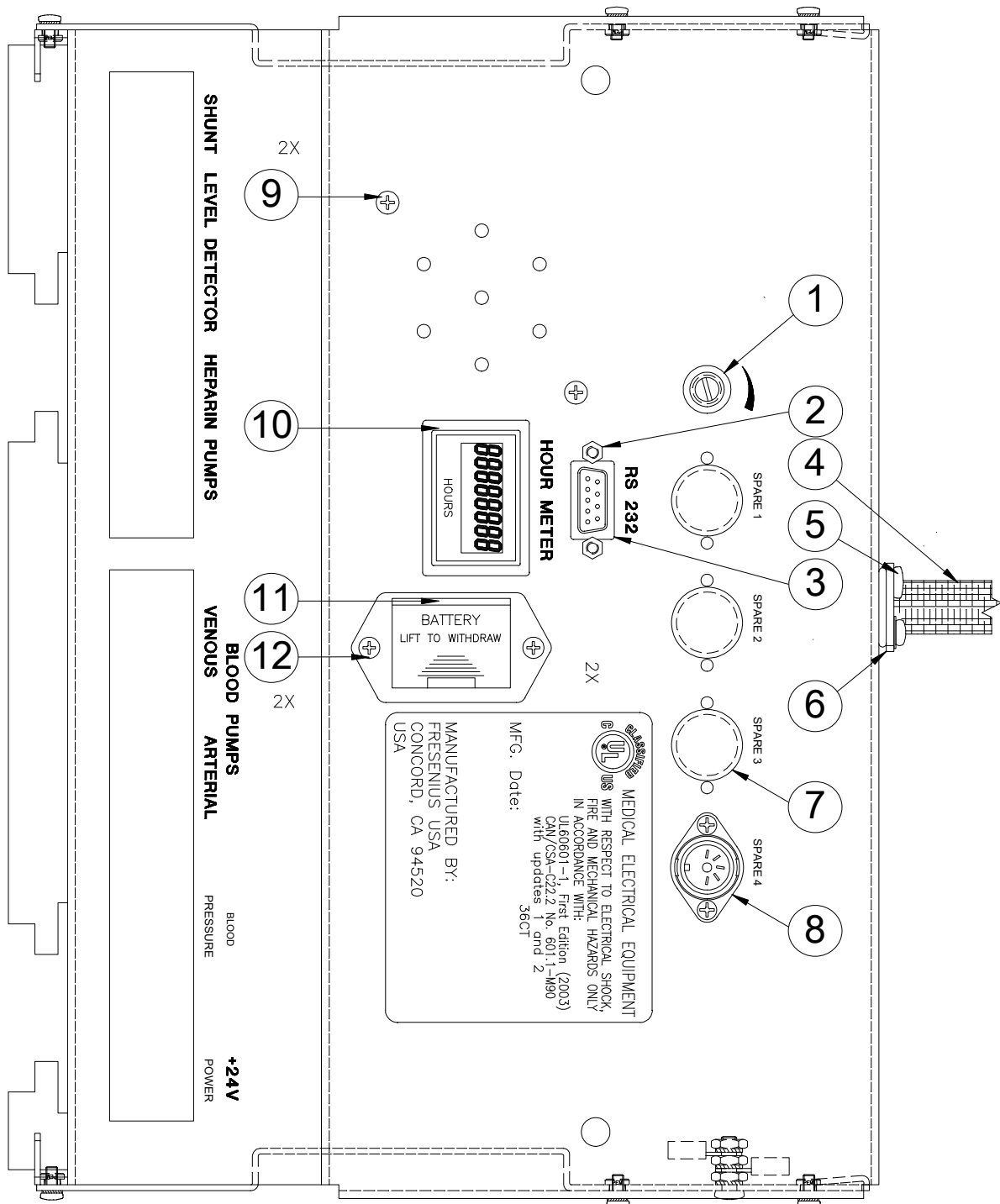
*ITEM NOT ILLUSTRATED.



3.3.0 MONITOR CHASSIS, REAR PANEL, FRONT VIEW - INSIDE

SEQ.	PART NUMBER	DESCRIPTION
1	190358	MONITOR HARNESS
2	330920-02-01	SCREW, PPH, M3 X 6 W-LW, ZI (INCLUDES LOCK-WASHER)
3	290017	MONITOR SIDE PLATE
4	368312-02	CABLE CLIP, FLAT MNT, W/ADHESIVE BACKING
5	335041-01	CABLE TIE MOUNT, ADHESIVE, BACKED
6	190070	CABLE,FUNCT FDSO8 OPTION
7	533203	SPEAKER, 25 OHM, 0.5 W
8	533207	CLIP, SPEAKER, FORMED, SS

*ITEM NOT ILLUSTRATED.



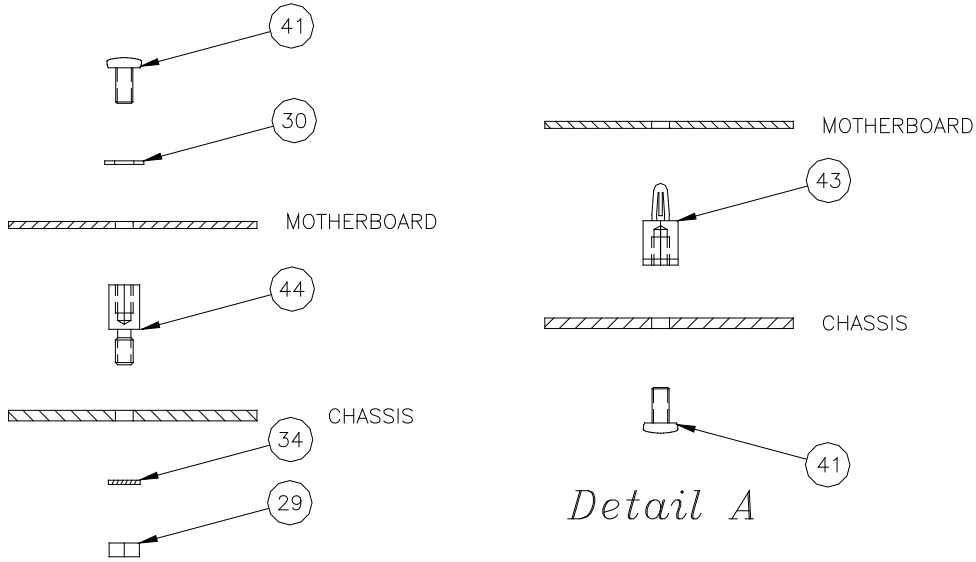
MONITOR CHASSIS, REAR PANEL,
 REAR VIEW (OUTSIDE)

NOTE: DEPENDING ON WHEN MACHINE WAS MANUFACTURED, 'BLOOD PRESSURE' COULD SAY 'COLIN'.

3.4.0 MONITOR CHASSIS, REAR PANEL, REAR VIEW - OUTSIDE

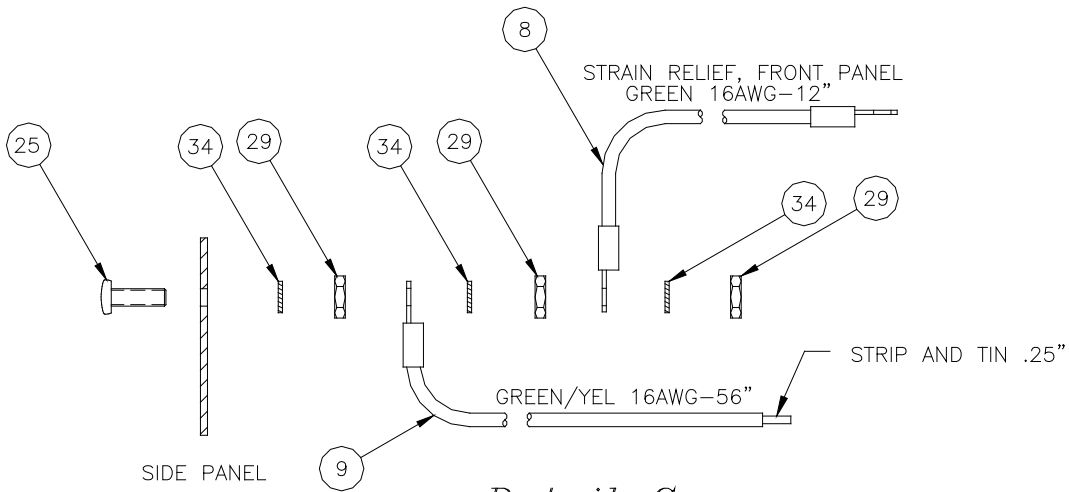
SEQ.	PART NUMBER	DESCRIPTION
1	361220-05	POTENTIOMETER 100 OHM NOTE: COMES WITH LOCKWASHER, KNOB AND NUT
1A	330615-01	LOCKNUT, ROUND KNURLED BRASS, 3/8-32 THR*
2	330400-04-05	SCREW, JACK, 4-40, SHORT HEAD
3	190070	CABLE, FUNCTIONAL FDS08 OPTION – RS232
4	565619	STRAP, RETAINING
5	330920-12-01	SCREW, M4X8, PHPH W/INT LOCKW
6	290056	CLAMP, RETAINING STRAP
7	572615	HOLE COVER, 16mm
8	190104	ASSY, TRAFFIC LIGHT CABLE – DOES NOT INCLUDE ITEM 8A, 8B & 8C
8A	552256	SCREW, M2.5X8MM,PHIL. PANHEAD*
8B	553619	NUT, M2.5 DIN 934 S.S.*
8C	553723	LOCKWASHER,2.6MM,S.S. DIN127ST*
9	552245	SCREW, M3 X 10 PHPH, SS
9A	330705-03-02	NUT, HEX, M3, EXT.TH. L/W, ZI*
9B	533207	CLIP, SPEAKER, FORMED, SS*
10	644290	HOUR METER (ANALOG), 5VDC
10A	362597-01	HOUR METER LCD – ONLY REPLACE W/LIKE HOUR METER*
11	360001-05	BATTERY HOLDER, 9V BLOCK
11A	642541	BATTERY, 9V, ALKALINE*
12	330920-15-01	SCREW,FH,PHL,M3X10,DIN 965A,SS
12A	330705-03-02	NUT, HEX, M3, EXT.TH. L/W, ZI*
13	290645	BACK PANEL COMPLETE*

*ITEM NOT ILLUSTRATED.



Detail B

Detail A



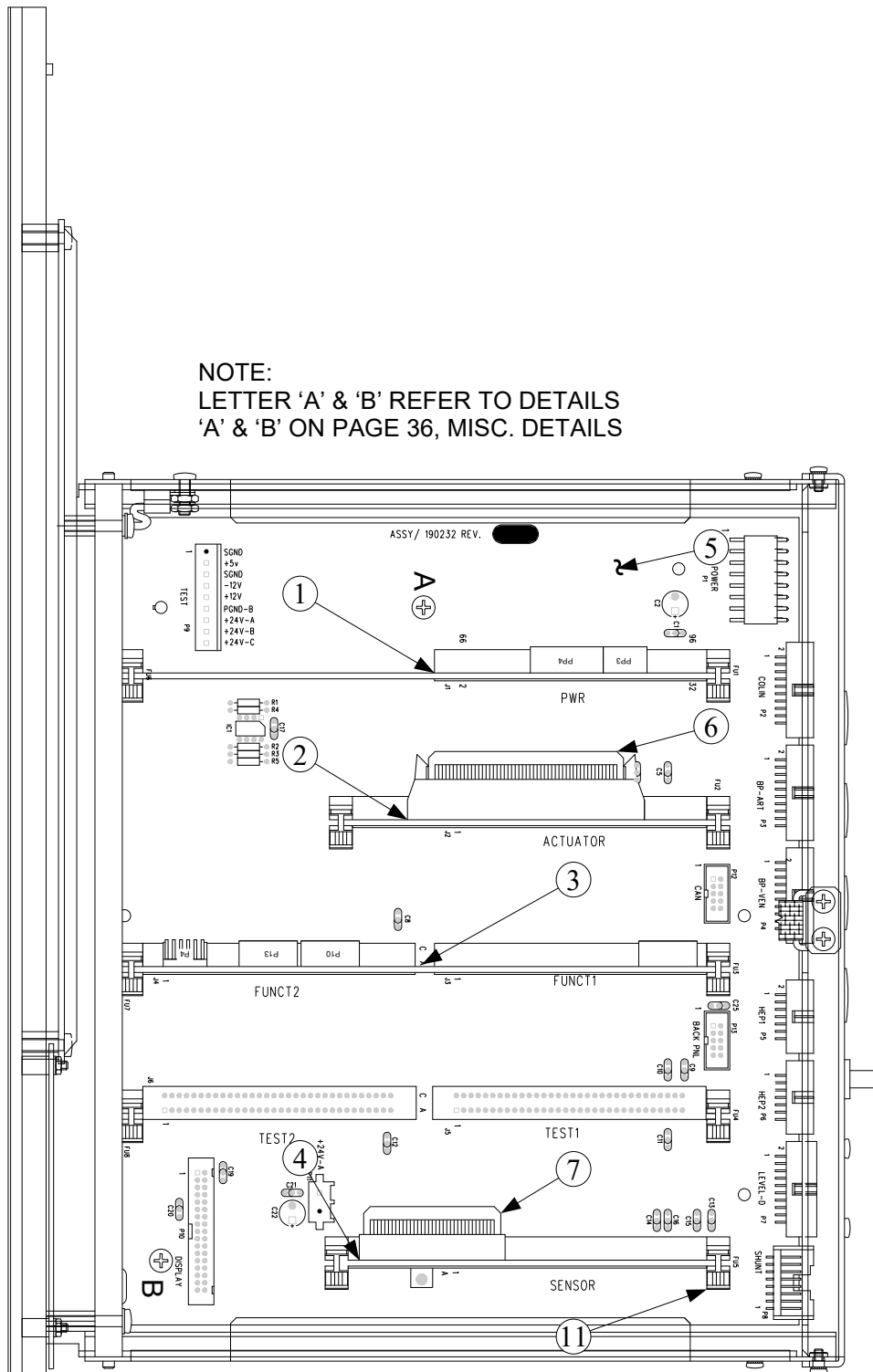
Detail C

MONITOR CHASSIS ASSY,
MISC. DETAILS

3.5.0 MONITOR CHASSIS ASSEMBLY, MISC. DETAILS

SEQ.	PART NUMBER	DESCRIPTION
8	368331-05	WIRE, 16AWG, 600V, GREEN
9	368025-01	WIRE, 16AWG, 600V, GREEN/YELLOW
25	552279	SCREW, PNHD PHIL, M4X16, S.S
29	553621	NUT, HEX, M4 DIN 934ST
30	553693	WASHER, FLAT, A4.3, S.S.
34	553733	WASHER, INT. TOOTH LOCK, A4.3, S.S.
41	644091	SCREW, PNHD PHIL, M4X8, S.S.
43	646378	CIRCUIT BOARD SUPPORT, M4X10
44	647179	STANDOFF, M4X10, IN & OUT, METAL

NOTE:
 LETTER 'A' & 'B' REFER TO DETAILS
 'A' & 'B' ON PAGE 36, MISC. DETAILS



MONITOR ASSEMBLY & CIRCUIT BOARDS

3.6.0 MONITOR ASSEMBLY & CIRCUIT BOARDS (2008K², 2008K@HOME)

SEQ.	PART NUMBER	DESCRIPTION
		<u>POWER LOGIC BOARD</u>
1	190246	ASSEMBLY, POWER LOGIC BOARD (W/-12 VOLTS)
1A	641566	FUSE 2.5A – USED ON ITEM 1
1B	539148-Q	POWER LOGIC CABLE (X2) – GOES TO POWER CONTROL BOARD*
		<u>ACTUATOR/TEST BOARD</u>
2	190234-231	ASSEMBLY, ACTUATOR-TEST BOARD – (VER. 2.31 FOR 2008K ² & 2008K@HOME)
		<u>FUNCTIONAL BOARD**</u>
3	190642-543	FUNCTIONAL BOARD – 2008K ² - (VER. 5.43)
3A	191261-439	FUNCTIONAL BOARD – 2008K@HOME - (VER. 4.39)
3B	362637-07	BATT PACK, SRAM – USED ON ITEMS 3, & 3A)*
4	190332	ASSEMBLY, SENSOR BOARD
5	190232	ASSEMBLY, MOTHERBOARD
6	190005	ACTUATOR CABLE
7	190006	SENSOR CABLE
		<u>TEST BOARD</u>
8	669983-Q	ASSEMBLY, LP545, TEST BOARD*
11	640268	PCB GUIDE W/SCREWS
11A	552243	SCREW, M3 X 6 SS PAN HD PHIL, PCB GUIDE*
12	190047	MAIN POWER CABLE (FROM POWER SUPPLY)*

*ITEM NOT ILLUSTRATED.

****Potential Calibration Loss:** Replacement Functional boards do not ship with an IC20 (EEPROM) installed. IC20 stores all machine calibrations. Before retiring the old Functional board, IC20 must be removed. Failure to remove IC20 will result in the loss of all calibrations and the need to purchase a new IC20. Full calibration of machine will then be required.

3.7.0 SOFTWARE (2008K²)

SEQ.	PART NUMBER	DESCRIPTION
1	190817-31	KIT, PAL2: 2008K2 FB V5.43 & ATB V2.31
2	191076	KIT, SPEC FEATURES EEPROM, 2008 SER SLED

3.7.1 SOFTWARE (2008K@HOME)

SEQ.	PART NUMBER	DESCRIPTION
1	190220-535	EPROM, ACTUATOR BD - (VER. 5.35)
4	190817-33	KIT, PAL2: 2008K@HOME FB V4.38 & ATB V2.31

3.7.2 SOFTWARE UPGRADE KITS

SEQ.	PART NUMBER	DESCRIPTION
1	190352	KIT, S.F. EEPROM 1.5X AUTO FLOW
2	190353	KIT, S.F. EEPROM OLC

3.8.0 CABLES (2008K² & 2008K@HOME)

MODULES

539148-Q	ARTERIAL BLOOD PUMP CABLE
670658-Q	BLOOD PUMP SERIAL COMMUNICATION CABLE
539148-Q	LEVEL DETECTOR CABLE
190124	DIGITAL HEPARIN PUMP CABLE
150122	DUAL RIBBON CABLE (20 PIN)
670658-Q	BTM, BVM, ARTERIAL 10 PIN CABLE
670658-Q	SERIAL COMM. CABLE

MONITOR (2008K²)

190005	ACTUATOR AND ACTUATOR-TEST CABLE
190006	SENSOR CABLE
190343	FRONT PANEL BD. TO INVERTER BD.
190511	COLOR LCD DATA CABLE (2008K ²)
190015	ASSEMBLY, FRONT PANEL DATA CABLE (5" LONG)
190200	ASSEMBLY, FRONT PANEL DATA CABLE (11" LONG)
335108-10	MUTE/RESET LED BOARD TO POWER LED BOARD
335108-06	FRONT PANEL BOARD TO MUTE/RESET LED BOARD
190200	FRONT PANEL BOARD TO FUNCTIONAL BOARD
150394	RS232 TERMINAL CABLE (DATA TRANSFER CABLE)

MONITOR (2008K@HOME)

190005	ACTUATOR AND ACTUATOR-TEST CABLE
190006	SENSOR CABLE
190343	FRONT PANEL BD. TO INVERTER BD.
190511	COLOR LCD DATA CABLE
190015	ASSEMBLY, FRONT PANEL DATA CABLE (5" LONG)
190200	ASSEMBLY, FRONT PANEL DATA CABLE (11" LONG)
335108-10	MUTE/RESET LED BOARD TO POWER LED BOARD
335108-06	FRONT PANEL BOARD TO MUTE/RESET LED BOARD
190200	FRONT PANEL BOARD TO FUNCTIONAL BOARD

HYDRAULICS

668033	AIR SEPARATOR (CONDUCTIVITY CABLE)
--------	------------------------------------

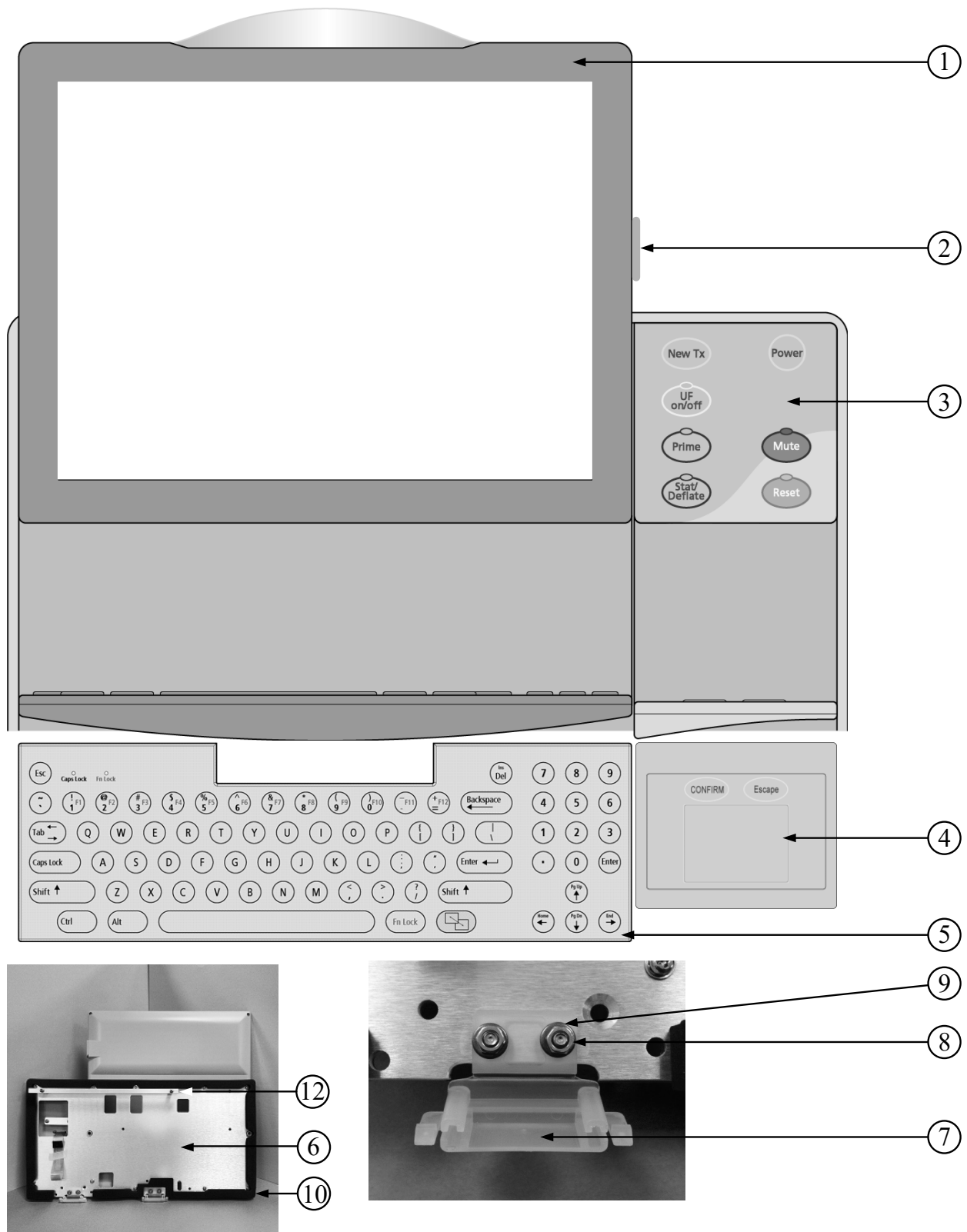
DISTRIBUTION BOX

190005	ACTUATOR AND ACTUATOR-TEST CABLE
190006	SENSOR CABLE
190013	HEATER CABLE – COMES WITH BLACK GROUND WIRE

POWER SUPPLY

190047	MAIN POWER CABLE (24V), POWER SUPPLY TO MOTHERBOARD
539148-Q	CABLE ASSEMBLY, 20 PIN RIBBON, 28" PWR SUPPLY TO POWER LOGIC BRD

4.0.0 MONITOR 2008T (ELECTRONIC
CARD CAGE)

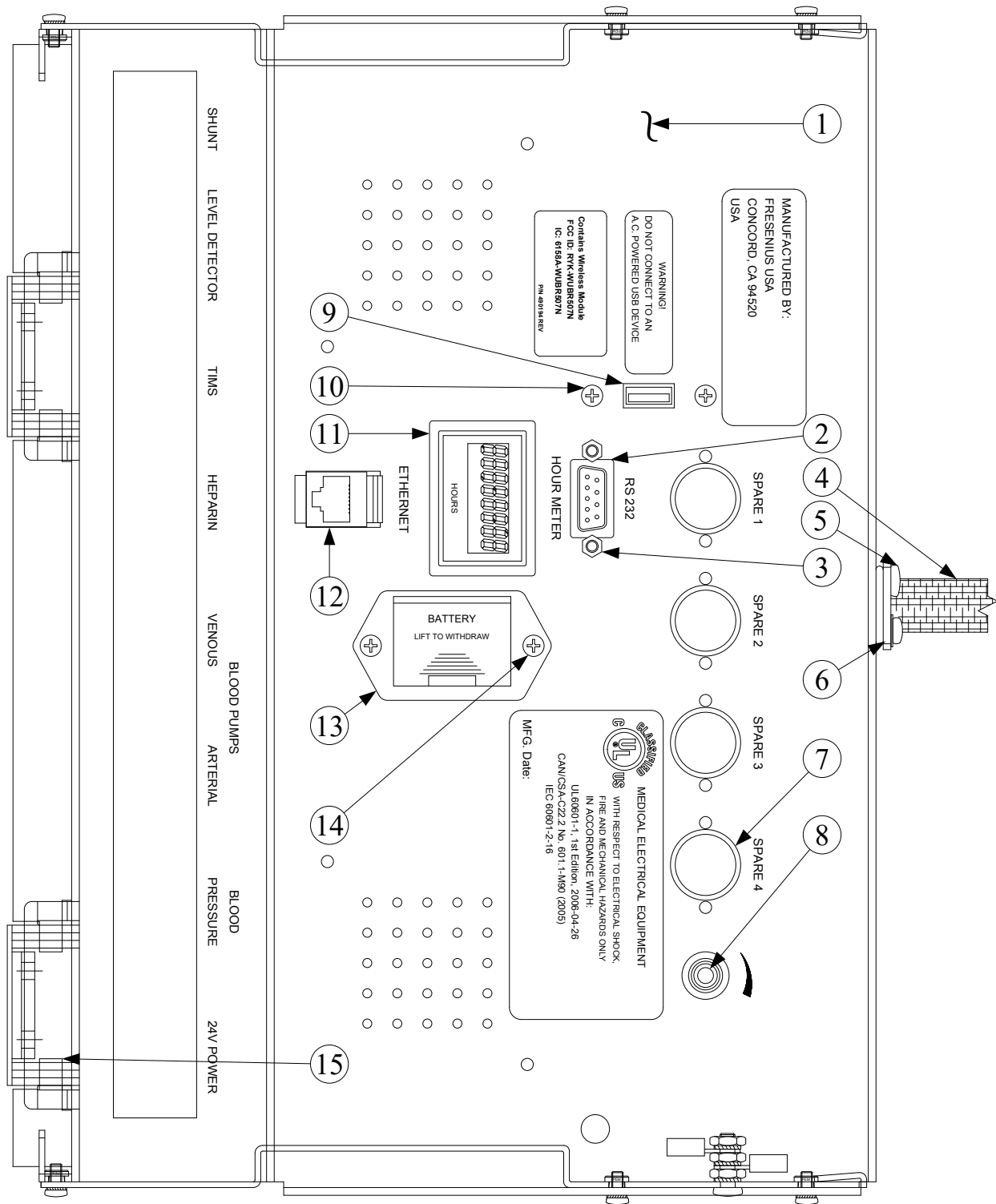


FRONT PANEL & DISPLAY ASSEMBLY – 2008T

4.1.0 FRONT VIEW – FRONT PANEL & DISPLAY ASSEMBLY (2008T)

SEQ.	PART NUMBER	DESCRIPTION
1	190844	DISPLAY ASSEMBLY (COMES WITH CABLES)
1A	191164	DISPLAY ASSEMBLY, 2008T BLUESTAR
1B	552244	SCREW, PH, PHL, M3X8, DIN 7985*(SECURES ITEM 1 TO 6 – <u>TOP</u>)
1C	552246	SCREW, M3 x 12 PH PHILLIPS*(SECURES ITEM 1 TO 6 – <u>BOTTOM</u>)
2	290405	USB COVER/FLAP
2A	190715	ASSEMBLY, 2008T USB FRONT PORT BOARD W/CABLE* - IN ITEM 1, PLUGS INTO P41 OF FUNCTION BOARD
2B	330010-01	SCREW, BHCS, M3X6MM, SS (SECURES ITEM 2A TO ITEM 1 OR 1A-2MM HEX HEAD)
3	290401	FRONT PANEL KEYPAD (ADHESIVE BACKED – CABLE PLUGS INTO J4 OF UI/MICS BOARD)
4	190561	TOUCHPAD ASSEMBLY (COMES WITH CABLE – PLUGS INTO J10 OF UI/MICS BOARD)
4A	330920-12-01	SCREW, M4X8, PHPH W/INT LOCKW* (QTY 3)
4B	643821	SCREW, M4 X 10MM PHIL FLTHD* (QTY 1)
5	190856	KEYBOARD ASSEMBLY WITH CABLE
5A	191192	KEYBOARD ASSEMBLY, 2008T BLUESTAR
5B	330920-12-01	SCREW, M4X8, PHPH W/INT LOCKW* (SCREW TO ITEM 5 & 5A)
6	190737	ASSEMBLY, FASCIA ASSEMBLY DOES NOT COME WITH ITEM 1,4 & 5.
6A	191158	2008T BLUE STAR CDX FASCIA ASSY, COMPLETE
7	F40014637	HINGE, NYLON
8	553621	NUT, HEX, M4 DIN 934ST
9	330602-03-01	WASHER, FLAT, #8, SS
10	290583	SEAL 3/8, CHASSIS T MACHINE
11	191364	KIT, 802.11 AC/B/G/N NETWORK (WI-FI) ADAPTER*
12	552274	SCREW, M4 X 6 PNHD PHIL SS* (ITEM 12 GOES INTO EITHER SIDE OF TRAVERSE BAR– SECURES FRONT PANEL ASSEMBLY TO CARD CAGE)

*ITEM NOT ILLUSTRATED.

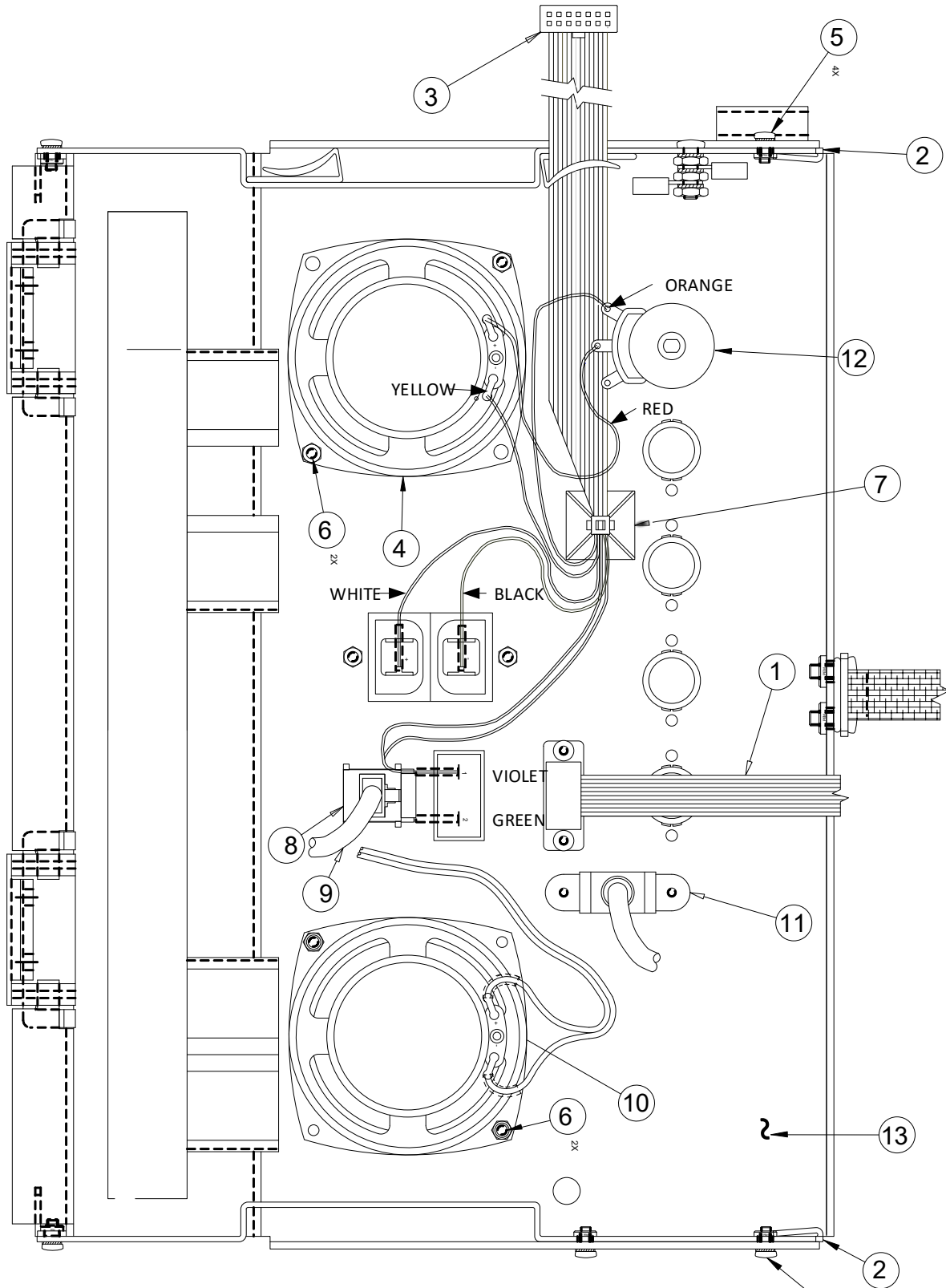


2008T MONITOR CHASSIS, REAR PANEL, REAR VIEW (OUTSIDE)

4.2.0 MONITOR CHASSIS, REAR PANEL, REAR VIEW – OUTSIDE (2008T)

SEQ.	PART NUMBER	DESCRIPTION
1	290644	MONITOR CHASSIS, (NO HARDWARE)
1A	290900	PANEL, MONITOR CHASSIS 2008T BLUESTAR (NO HARDWARE)
1B	290017	SIDE PANEL, MONITOR CHASSIS*
2	190070	CABLE, FUNCT FDS08 OPTION
3	330400-04-05	SCREW, JACK 4-40, SHORT HEAD
4	565619	STRAP, RETAINING
5	330920-12-01	SCREW, M4X8, PHPH W/INT LOCKW
6	290056	CLAMP, HYDR RETAIN STRAP
7	572615	HOLE COVER, 16MM
8	361220-05	VARIABLE RESISTOR, 100 OHM, 10%, 5 WATT NOTE: COMES WITH KNOB, NUT AND LOCKWASHER
8A	330615-01	LOCKNUT, ROUND KNURLED BRASS, 3/8-32 THR*
8B	330916-35	STANDOFF (COVER - USED ON 2008T BLUESTAR CONVERSIONS) *
9	190615	ASSEMBLY, CABLE, 2008T USB REAR ADAPTER (USB2 – J17)
10	330919-05-01	SCREW 4-40 3/8"L PHIL PAN
11	362597-01	HOUR METER, LCD
12	368101-03	COUPLING, 8 POS, RJ45, PANEL MOUNT (ETHERNET CONN.)
13	360001-05	BATTERY HOLDER
13A	642541	BATTERY, 9V*
14	330920-15-01	SCREW, FH, PHL, M3X10, DIN 965A, SS
14A	330705-03-02	NUT, HEX, M3, EXT.TH. L/W, ZI*
15	F40014637	HINGE NYLON

*ITEM NOT ILLUSTRATED.

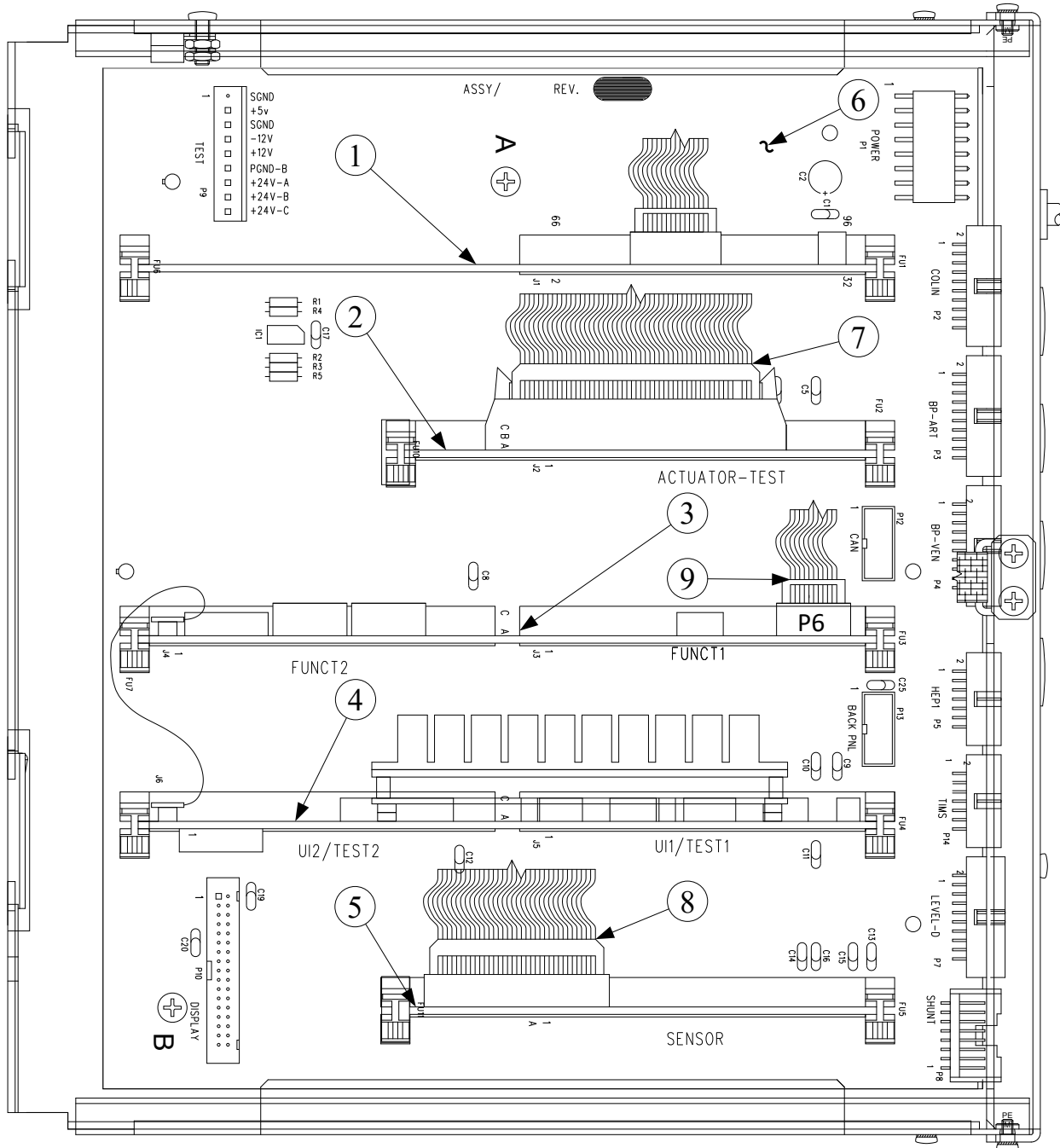


2008T MONITOR CHASSIS, REAR PANEL, REAR VIEW (INSIDE)

4.3.0 MONITOR CHASSIS, REAR PANEL, FRONT VIEW – INSIDE (2008T)

SEQ.	PART NUMBER	DESCRIPTION
1	190070	CABLE, FUNCT FDSO8 OPTION
2	290017	MONITOR SIDE PLATE
3	190358	MONITOR HARNESS
4	370006-06	SPEAKER, 8 OHM 3W 66MM SQUARE (DIALYSIS)
5	330920-02-01	SCREW, PHPH, M3 X 6 W-LW, ZI
6	330705-03-02	NUT, HEX, M3, EXT.TH L/W, ZI
7	335041-01	CABLE TIE MOUNT, ADHESIVE, BACKED
8	368101-03	COUPLING, 8 POS, RJ45, PANEL MOUNT
9	365067-07	PATCH CABLE ASSEMBLY, 1FT, CAT5E, RJ45, GRAY (J21)
10	190625	ASSEMBLY, 2008T IT SYSTEM CDX SPEAKER –INCLUDES CABLE
11	190615	ASSEMBLY, CABLE, 2008T USB REAR ADAPTER (J17)
12	361220-05	VARIABLE RESISTOR, 100 OHM, 10%, 5 WATT NOTE: COMES WITH NUT AND LOCKWASHER
12A	330615-01	LOCKNUT, ROUND KNURLED BRASS, 3/8-32 THR*
13	290644	MONITOR CHASSIS, (NO HARDWARE)

*ITEM NOT ILLUSTRATED.



2008T MONITOR ASSEMBLY & CIRCUIT BOARDS

4.4.0 MONITOR ASSEMBLY & CIRCUIT BOARDS (2008T)

SEQ.	PART NUMBER	DESCRIPTION
1	190246	POWER LOGIC BOARD W/-12V
1A	190951-108	POWER LOGIC BOARD – 2008T BLUESTAR PREMIUM
1B	641566	FUSE, 2.5 AMP* – USED ON ITEM 1A AND 1B
2	191203-227	ACTUATOR-TEST BOARD (VER. 2.27)
2A	191203-232	ACTUATOR-TEST BOARD (VER. 2.32)
2B	191203-233	ACTUATOR-TEST BOARD (VER. 2.33)
3	190654-267	FUNCTIONAL BOARD (VER. 2.67)**
3A	190654-275	FUNCTIONAL BOARD (VER. 2.75)**
3B	190654-284	FUNCTIONAL BOARD (VER. 2.84)**
3C	362637-07	BATT PACK, SRAM*
4	191117-01	UI/MICS BOARD WITH PC 4GB RAM, 64 GB MSATA
4A	191117	UI/MICS BOARD W/O CDX
4B	191200	8GB UPGRADE GEN 3* (FOR ITEM 4 ONLY)
4C	190731	COMPACT FLASH CARD W/OS*
4D	360001-07	LITHIUM 3V BATTERY*
4E	191141	MSATA DRIVE W/OS*
4F	190859	CDX UPGRADE KIT*
4G	190755	2008T CDX & S/W UPDATE TEST KIT* NOTE: NEEDED TO TEST FUNCTIONALITY OF CDX AFTER UPGRADING USING ITEM 4F.
5	190332	SENSOR BOARD – CAN BE USED WITH ACT/TEST BOARD SOFTWARE 2.27 AND GREATER ‡
5A	191142	SENSOR BOARD 2008T BLUESTAR † ‡
5B	191191	SENSOR BOARD 2008T BLUESTAR † ‡
6	190500	MOTHERBOARD
6A	368558-05	EEPROM, MOTHERBOARD*, 2008T BLUESTAR
7	190005	ACTUATOR CABLE
8	190006	SENSOR CABLE
9	190070	CABLE, FUNCT. FDS08 (P6 TO RS232)
10	670658-Q	CABLE, SERIAL COMMUNICATION (FUNCT. – P10 TO BLOOD PUMP)*
11	190861-01	BIBAG INTERFACE BOARD WITH SOFTWARE*
12	190600	2008T VOLTAGE EXTENDER BOARD*

*ITEM NOT ILLUSTRATED.

****Potential Calibration Loss:** Replacement Functional boards do not ship with an IC20 (EEPROM) installed. IC20 stores all machine calibrations. Before retiring the old Functional board, IC20 must be removed. Failure to remove IC20 will result in the loss of all calibrations and the need to purchase a new IC20. Full calibration of machine will then be required.

† Requires Actuator-test board software 2.32 or greater.

‡ For further information see Field Service Bulletin 21-FRS-002 @ fmcna.com/support

4.5.0 CABLES (2008T)

PART NUMBER	DESCRIPTION
MODULES	
539148-Q	ARTERIAL BLOOD PUMP CABLE
670658-Q	BLOOD PUMP SERIAL COMMUNICATION CABLE
539148-Q	LEVEL DETECTOR CABLE
190124	DIGITAL HEPARIN PUMP CABLE
150122	DUAL RIBBON CABLE (20 PIN)
670658-Q	BTM, BVM, ARTERIAL 10 PIN CABLE
MONITOR	
190005	ACTUATOR CABLE
190006	SENSOR CABLE
150394	RS232 TERMINAL CABLE (DATA TRANSFER CABLE)
190553	UI-MICS BOARD (J6) TO FUNCTIONAL BOARD (P23)
190843	ASSY, CABLE, 2008T LVDS VIDEO, NON-INVER (J7) TO LCD DISPLAY* NOTE: ONE LOOSE WIRE ON LCD PANEL END IS NORMAL
190550	UI-MICS BOARD (J7) TO LCD DISPLAY*
191004	2008T LCD BACKLIGHT CABLE ASSY(J8) TO LCD DISPLAY*
190548	UI-MICS BOARD (J8) TO DISPLAY INVERTER BOARD*
190615	UI-MICS BOARD (J17) TO USB ON REAR PANEL
190697	UI-MICS BOARD (J18) TO USB FOR WIFI ADAPTER
365067-07	UI-MICS BOARD (J21) TO ETHERNET CONNECTOR ON REAR PANEL
HYDRAULICS	
668033	AIR SEPARATOR (CONDUCTIVITY CABLE)
DISTRIBUTION BOX	
190005	ACTUATOR CABLE
190006	SENSOR CABLE
190013	HEATER CABLE - COMES WITH BLACK GROUND WIRE
POWER SUPPLY	
190047	MAIN POWER CABLE (24V – POWER SUPPLY TO MOTHERBOARD)
539148-Q	CABLE ASSEMBLY, 20 PIN RIBBON, 28" (PWR SUPPLY TO POWER LOGIC BRD)

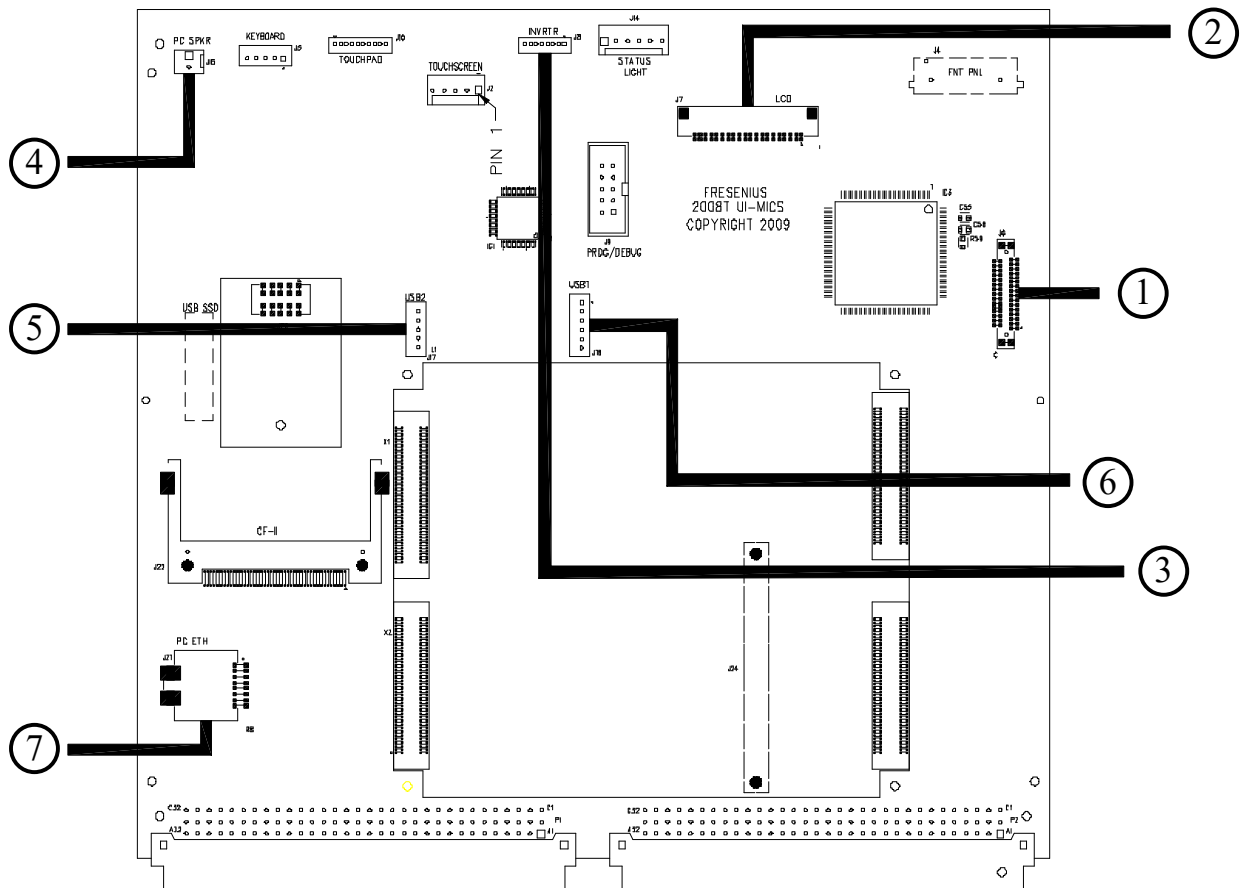
*SEE NOTES ON PAGE 57

4.6.0 UI / MICS BOARD CABLES

SEQ.	PART NUMBER	DESCRIPTION
1	190553	CABLE, DISPLAY DATA CABLE (J6 UI TO FUNCTION BOARD P23)
2	190843	ASSY, CABLE, 2008T LVDS VIDEO, NON-INVER* (J7 TO LCD DISPLAY) NOTE: ONE LOOSE WIRE ON LCD PANEL END IS NORMAL
2A	190550	CABLE, 2008T LVDS VIDEO* (J7 TO LCD DISPLAY)
3	191004	ASSY, CABLE, 2008T LCD BACKLIGHT** (J8 TO LCD DISPLAY)
3A	190548	CABLE, 2008T VIDEO INVERTER** (J8 TO LCD DISPLAY)
4	190625	2008T IT SYSTEM SPEAKER (J16)
5	190615	CABLE, 2008T USB REAR ADAPTER (J17 – USB ON REAR PANEL)
6	190697	CABLE, 2008T WIRELESS NETWORK (J18 – WI FI ADAPTER)
7	365067-07	PATCH CABLE, 1FT, CAT5E, RJ45, GRAY (J21)

* NOTE: ITEMS 2 & 2A BOTH GO TO J7 ON THE UI/MICS BD., BUT ARE USED ON DIFFERENT DISPLAY ASSEMBLIES, CAREFULLY NOTE P/N ON CABLE. CALL TECHNICAL SUPPORT FOR ASSISTANCE.

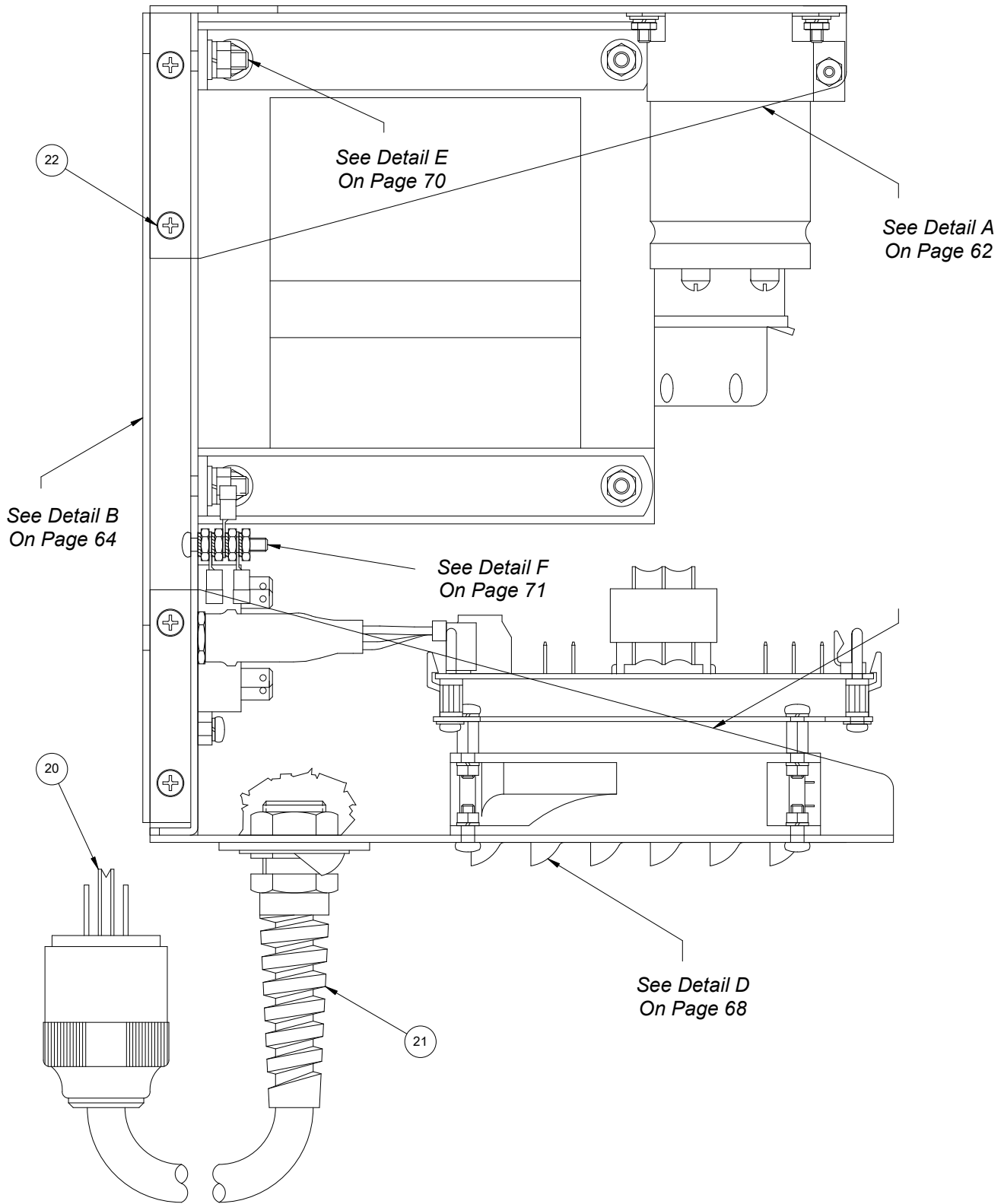
**NOTE: ITEMS 3 & 3A BOTH GO TO J8 ON THE UI/MICS BD., BUT ARE USED ON DIFFERENT DISPLAY ASSEMBLIES, CAREFULLY NOTE P/N ON CABLE. CALL TECHNICAL SUPPORT FOR ASSISTANCE.



4.7.0 SOFTWARE (2008T)

SEQ	PART NUMBER	DESCRIPTION
1	191356	2008T BLUESTAR - CYBERSECURITY UPGRADE KIT – F2.84/A2.32/UI1.17 INCLUDES 2 IDENTICAL USB FLASH DRIVES & UPGRADE INSTRUCTIONS
2	191137	2008T BLUESTAR UPGRADE KIT – F2.75/A2.32/UI1.17 INCLUDES 2 IDENTICAL USB FLASH DRIVES & UPGRADE INSTRUCTIONS
3	191391	2008T SOFTWARE UPGRADE KIT – F2.67/A2.27/UI1.17 INCLUDES 1 USB FLASH DRIVE & UPGRADE INSTUCTIONS NOTE: INTENDED FOR NON - BLUESTAR MACHINES
4	190755	2008T CDX & SOFTWARE UPDATE TEST KIT – INCLUDES: 2008T USB CDX TEST SCRIPT 2.0 FLASH DRIVE, WIRELESS ROUTER, CDX COMPACT FLASH CARD W/OS, 2008T CDX & SOFTWARE UPDATE TEST INSTRUCTIONS.
5	190894	2008T APPLOADER KIT
6	365039-13	BLANK USB FLASHDRIVE
7	191299	LINUX OS INSTALLER

5.0.0 POWER SUPPLY

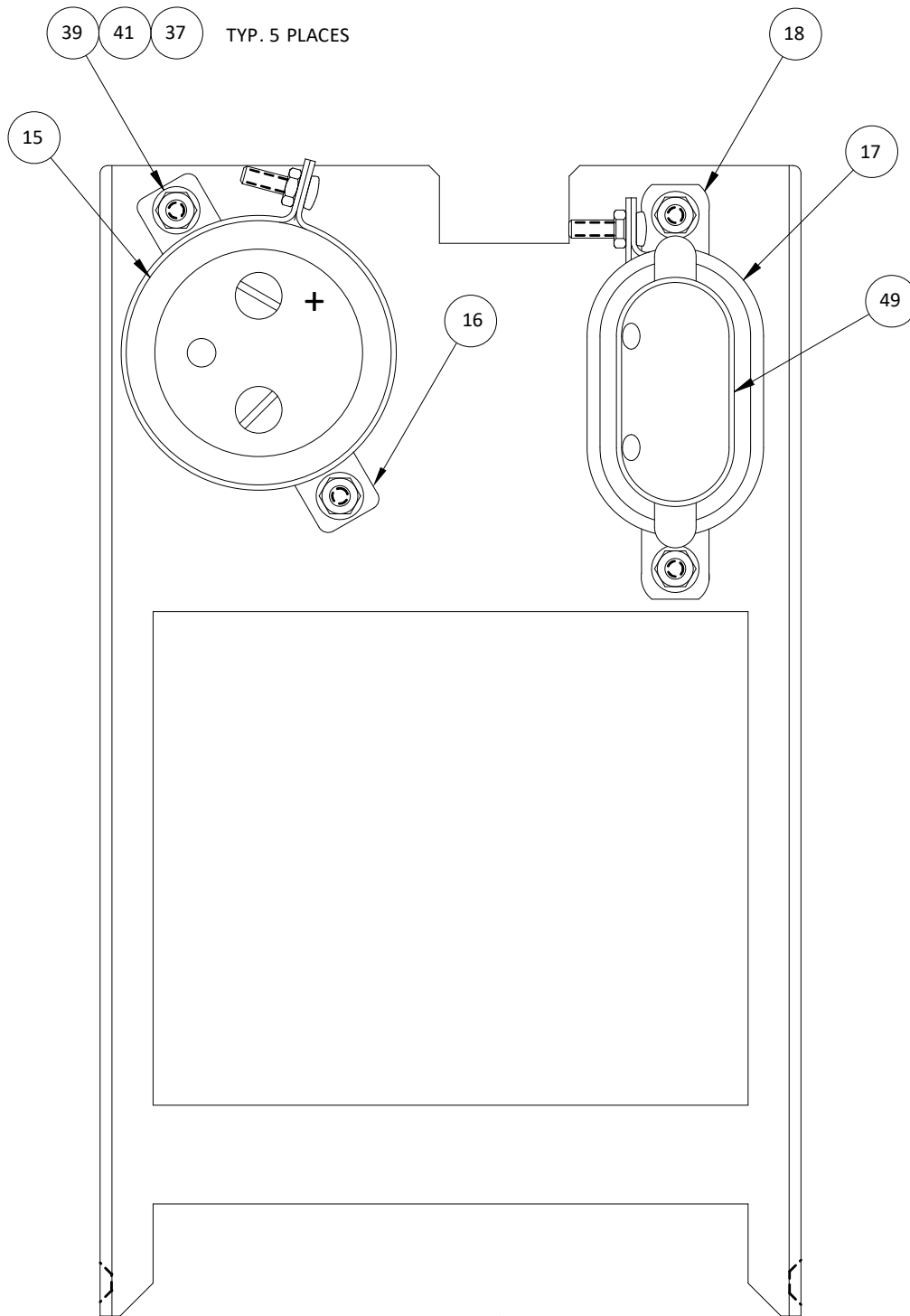


POWER SUPPLY ASSEMBLY

5.1.0 POWER SUPPLY ASSEMBLY

SEQ.	PART NUMBER	DESCRIPTION
	190011	ASSEMBLY POWER SUPPLY, COMPLETE
	191111	ASSEMBLY POWER SUPPLY, COMPLETE 2008T BLUESTAR
	150425	ASSEMBLY, POWER CABLE, 15A, 125V (CABLE WITH CONNECTORS ATTACHED & STRAIN RELIEF)
20	368002-01	POWER PLUG, 15A, 125V, HOSPITAL GRADE
21	368016-01	STRAIN RELIEF, FLEXIBLE
22	330920-07-01	SCREW, M4X6, FH PHIL
23	367032-01	FERRITE CORE*
24	368171-02	RECEPTACLE, DUPLEX GFCI 120V 20A*
25	190092	POWER SUPPLY 130 V 50HZ (NOT USED IN CONTINENTAL NORTH AMERICA)
26	290084	TRANSFORMER FOR ITEM 25

*ITEM NOT ILLUSTRATED.



Detail A
Front Panel Detail

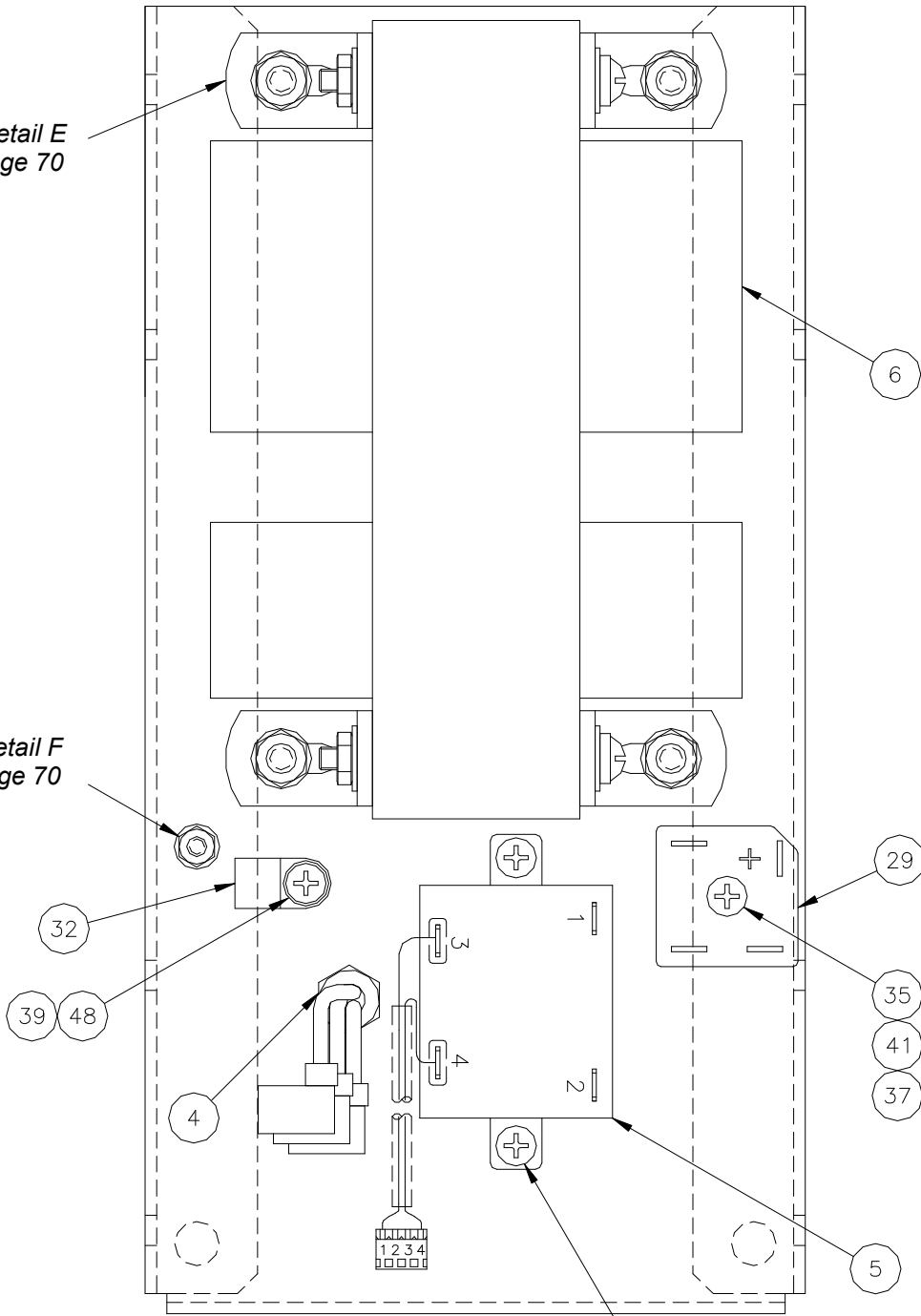
POWER SUPPLY

5.1.1 POWER SUPPLY, DETAIL A

SEQ.	PART NUMBER	DESCRIPTION
15	361216-01	CAPACITOR, ELECTROLYTIC, 24000UF, 40V
16	361083-04	CAPACITOR BRACKET, DIA. 2", BLACK
17	361216-03	CAPACITOR, 10UF, 440V, MOTOR RUN (OIL FILLED)
18	361216-04	BRACKET, CAPACITOR, KK CASE
37	553621	NUT, HEX, M4 DIN 934ST
39	553693	WASHER, FLAT, A4.3, S.S.
41	330606-03-01	WASHER, #8 SPLIT LOCK
49	646058	BOOT, CAPACITOR

See Detail E
On Page 70

See Detail F
On Page 70



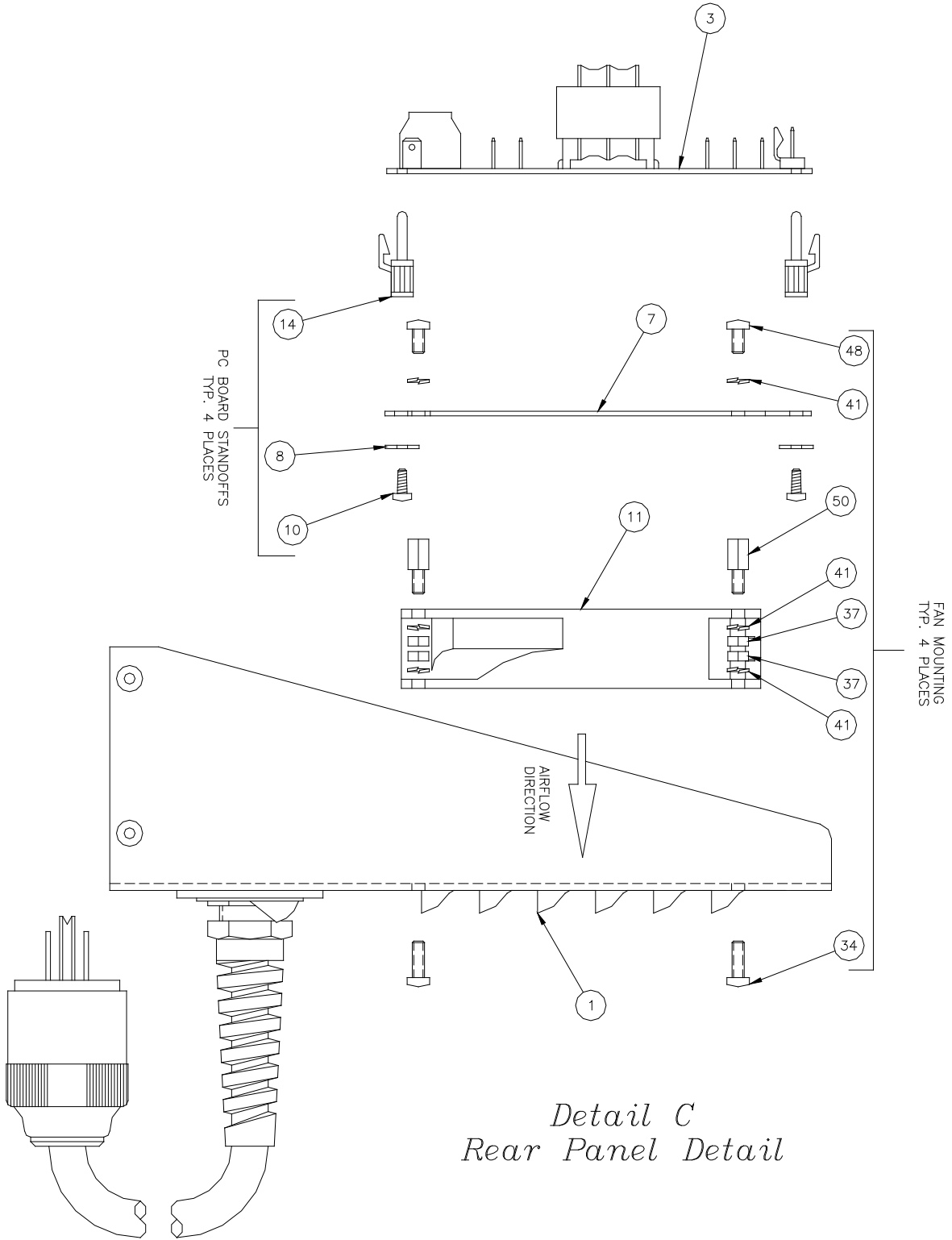
Detail B
Chassis Detail

POWER SUPPLY

5.1.2 POWER SUPPLY, DETAIL B

SEQ.	PART NUMBER	DESCRIPTION
4	191036	TRIAC ASSEMBLY, 2008 SERIES – COMES WITH NUT NOTE: 191036 IS NOT APPROVED FOR USE ON 50HZ POWER SUPPLY CONTACT TECHNICAL SUPPORT FOR 50HZ POWER SUPPLY
5	190055	RELAY ASSEMBLY, POWER SUPPLY
6	290030	TRANSFORMER
29	362009-04	BRIDGE RECTIFIER, 25 AMP
32	537204	CABLE CLAMP #3, NYLON
34	552277	SCREW, PNHD PHIL, M4X12, S.S.
35	552282	SCREW, PNHD PHIL, M4X20, S.S.
37	553621	NUT, HEX, M4 DIN 934ST
39	553693	WASHER, FLAT, 4.3mm, S.S.
41	330606-03-01	WASHER, #8 SPLIT LOCK
48	644091	SCREW, PNHD PHIL, M4X8, S.S. LOCK

*ITEM NOT ILLUSTRATED.

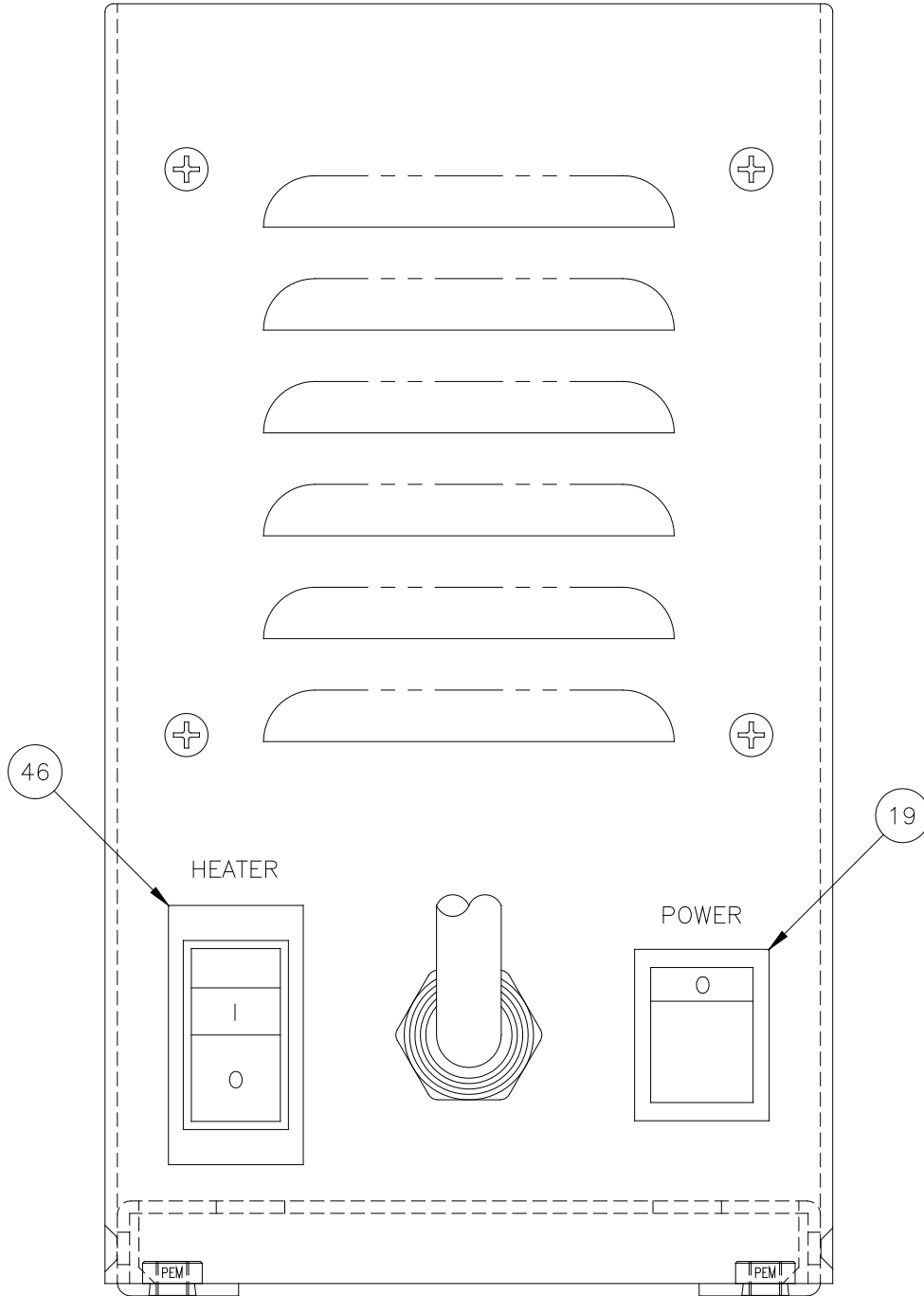


POWER SUPPLY

5.1.3 POWER SUPPLY, DETAIL C

SEQ.	PART NUMBER	DESCRIPTION
1	290023	POWER SUPPLY CHASSIS, REAR
3	190019	LP728 POWER CONTROL BOARD (CAN ONLY BE USED IN POWER SUPPLY P/N 190011)
3A	190937	POWER CONTROL BOARD ASSEMBLY, 2008T BLUESTAR (CAN ONLY BE USED ON POWER SUPPLY P/N 191111)
3B	367013-12	FUSE 6.3A, 250VAC, TIME-LAG 5X20MM*
7	290048	PLATE, POWER CONTROL BOARD
8	330602-02-01	WASHER, FLAT, #6, S.S.
10	330935-05-02	SCREW, PNHD PHIL, #6 X 5/16, TYPE W
11	336039-02	FAN 120V (FAN CABLE N/A SEPARATELY)
14	338073-05	PCB EDGE SUPPORT, 1/2" HIGH
34	330801-03	SNAP RIVET
37	553621	NUT, HEX, M4 DIN 934ST
41	330606-03-01	WASHER, #8 SPLIT LOCK, S.S.
48	644091	SCRW, PNHD PHIL, M4X8, S.S.
50	647179	STANDOFF, M4X10, IN & OUT
51	190047	MAIN POWER CABLE (TO MOTHERBOARD)*
53	380008	RELAY, HEATER, 16AMP, 24V*
54	190013	HEATER CABLE (POWER SUPPLY TO DISTRIBUTION BOX)* NOTE: COMES WITH BLACK GROUND WIRE

*ITEM NOT ILLUSTRATED.



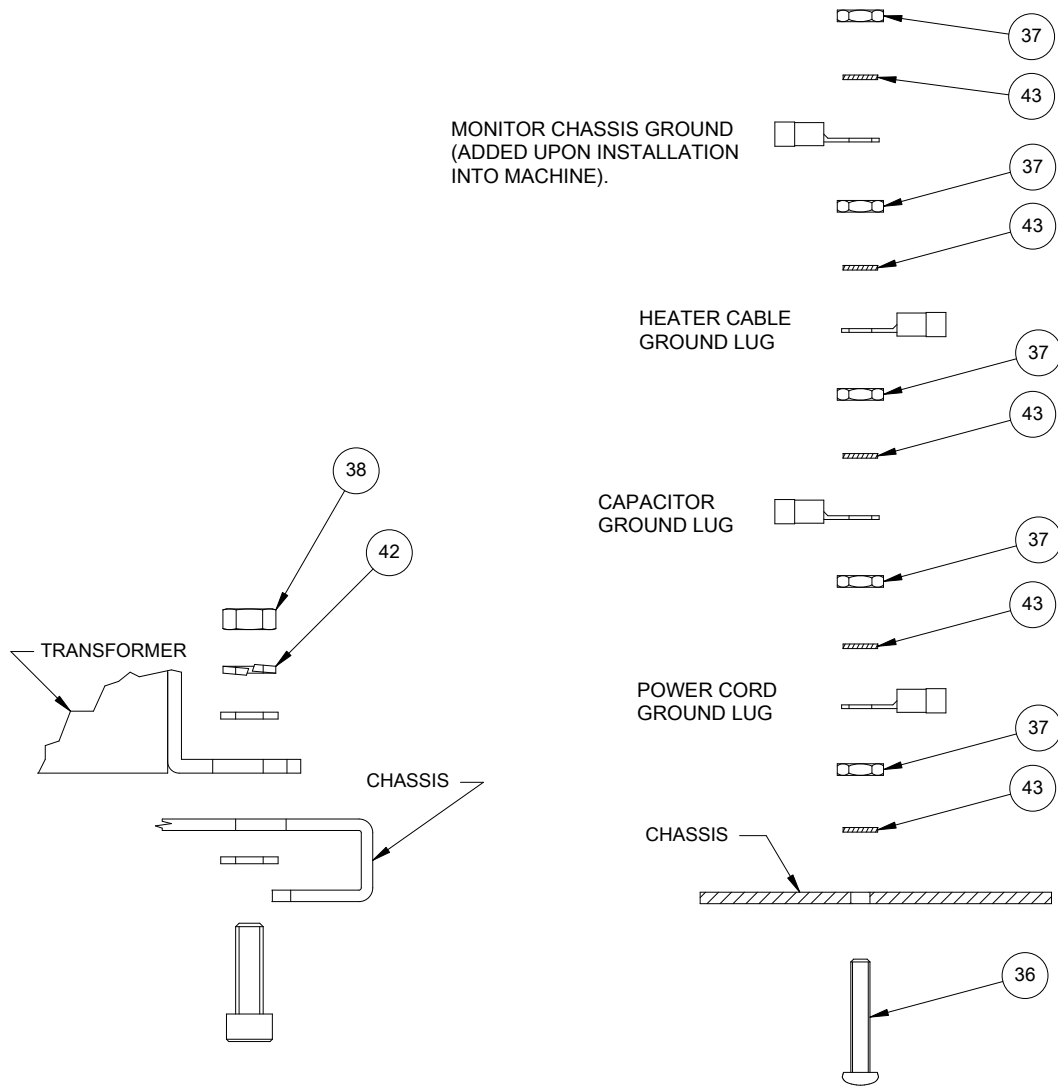
Detail D
Front Panel Detail

POWER SUPPLY

5.1.4 POWER SUPPLY, DETAIL D

SEQ.	PART NUMBER	DESCRIPTION
19	363020-01	SWITCH, ROCKER, SPDT .250" SPADE
46	642285	CIRCUIT BREAKER
47	190411	WIRE KIT, 2008K POWER SUPPLY*

*ITEM NOT ILLUSTRATED.



Detail E
Transformer Mounting Detail

Detail F
Ground Lug Detail

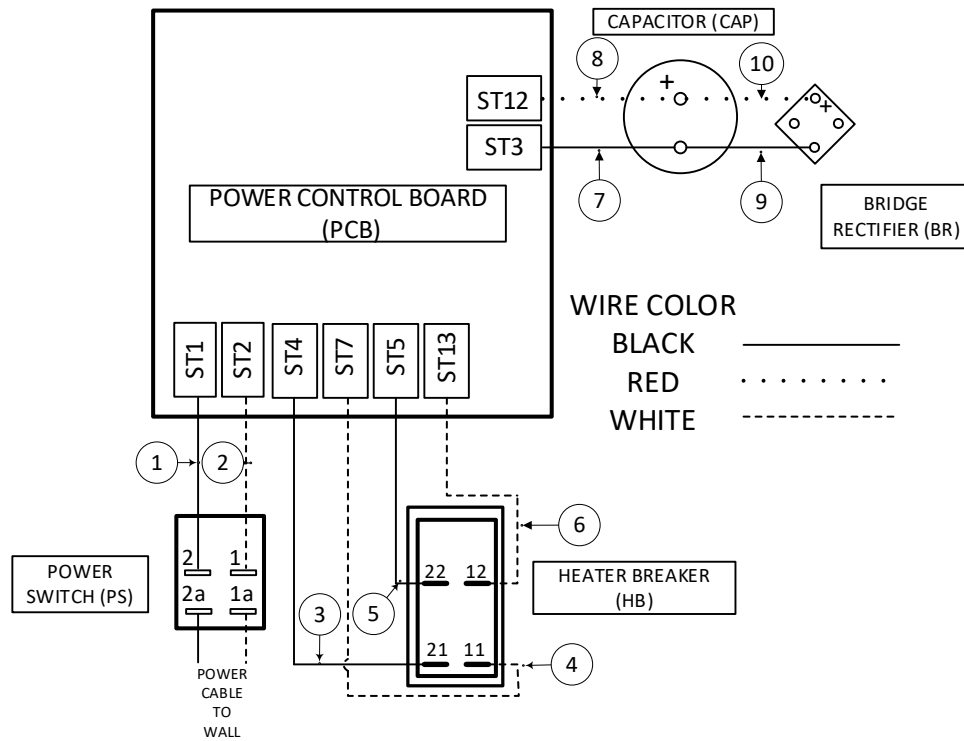
POWER SUPPLY

5.1.5 POWER SUPPLY, DETAILS E & F

SEQ.	PART NUMBER	DESCRIPTION
34	552345	SCREW, M6 X 35 PNHD PHIL SS* (FOR INTERNAL B.P.)
36	552286	SCREW, PNHD PHIL, M4X25, S.S.
37	553621	NUT, HEX, M4 DIN 934ST
38	553623	NUT, 6mm , S.S.
42	330606-05-01	WASHER, 1/4" SPLIT LOCK, S.S.
43	553733	WASHER LOCK TOOTH, A4.3, S.S.

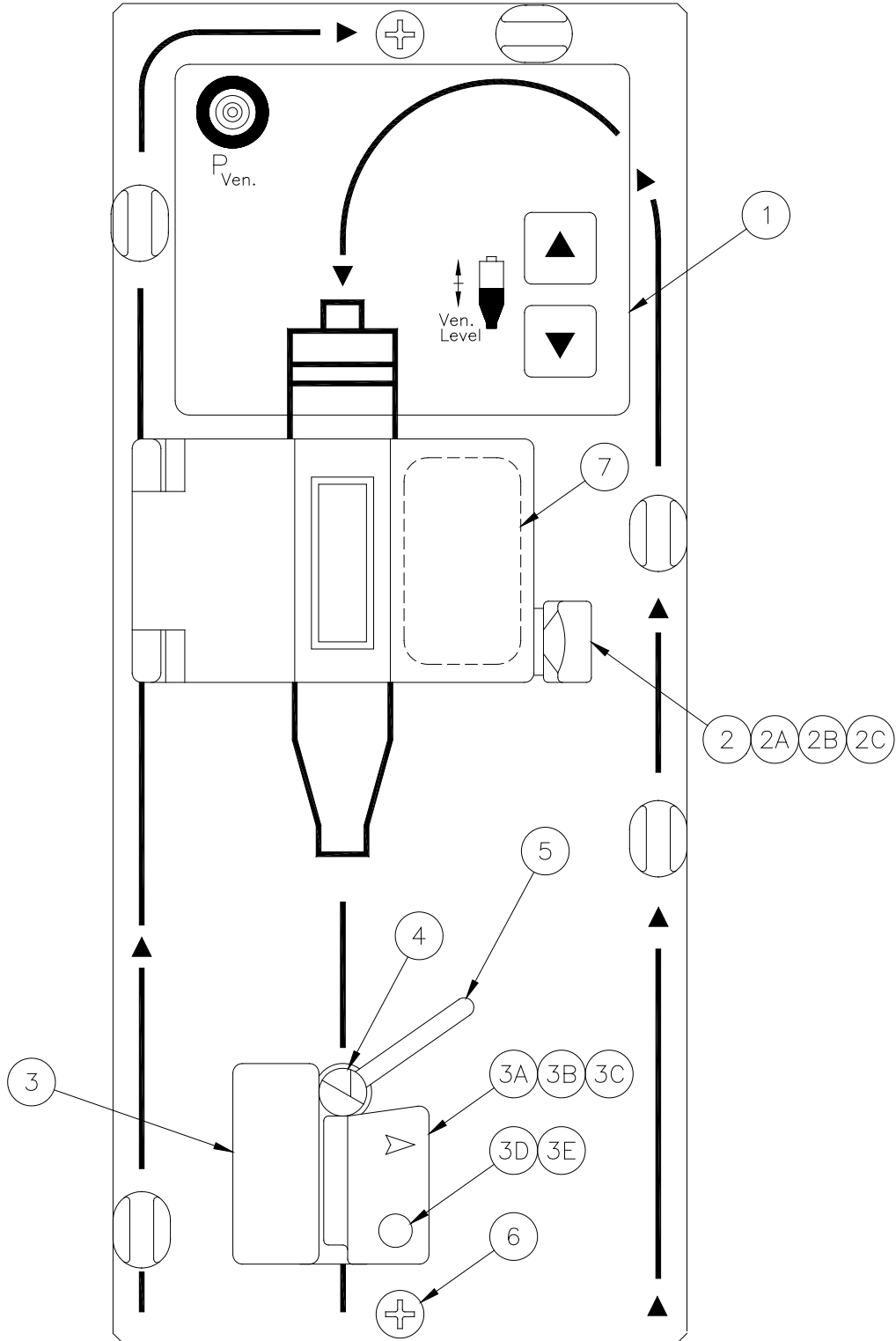
*ITEM NOT ILLUSTRATED.

5.1.6 POWER SUPPLY, WIRING



SEQ	PART NUMBER	FROM	TO	LENGTH (IN)	COLOR
1	190273	PS – pin 2	ST1 – PCB	3.75	BLACK
2	190274	PS – pin 1	ST2 – PCB	4.5	WHITE
3	190407	HB – pin 21	ST4 – PCB	5	BLACK
4	190408	HB – pin 11	ST7 – PCB	6	WHITE
5	190409	HB – pin 22	ST5 – PCB	4	BLACK
6	190410	HB – pin 12	ST13 – PCB	5	WHITE
7	190428	CAP (neg)	ST3 – PCB	16	BLACK
8	190429	CAP (plus)	ST12 – PCB	17	RED
9	190430	BR (neg)	CAP (neg)	15	BLACK
10	190431	BR (plus)	CAP (plus)	16	RED

6.0.0 MODULES

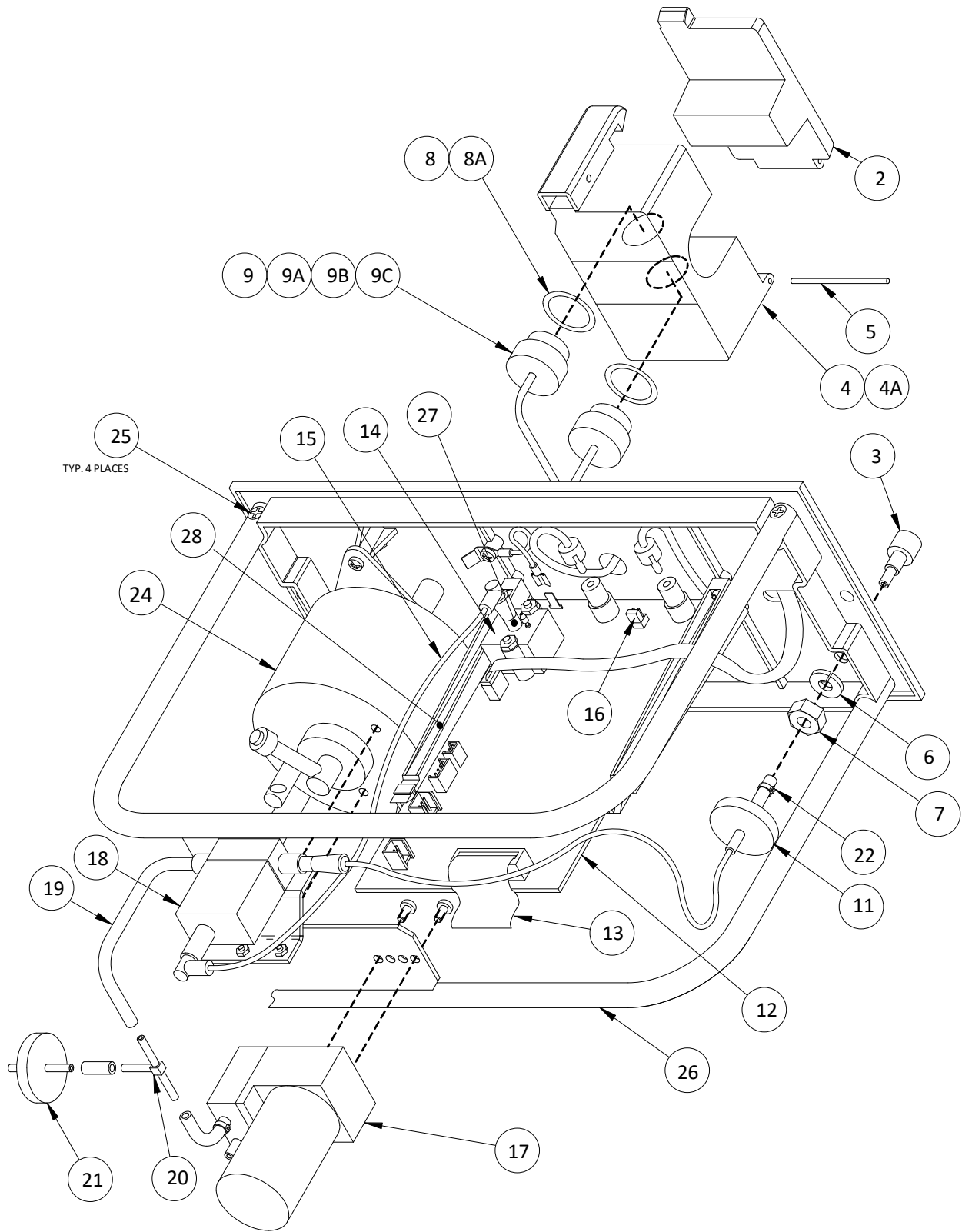


LEVEL DETECTOR MODULE

6.1.0 LEVEL DETECTOR MODULE - FRONT VIEW

SEQ.	PART NUMBER	DESCRIPTION
	M30340	LEVEL DETECTOR MODULE
1	677981	TOUCH PAD
2	M32019	LATCH COMPLETE (INCLUDES ITEMS 2A, 2B, & 2C)
2A	M30343	LATCH
2B	640944	LATCH PIVOT PIN*
2C	642275	LATCH SPRING*
3	M30344	OPTICAL SENSOR COMPLETE, (INCLUDES ITEMS 3A-3E)
3A	M30347	OPTICAL SENSOR DOOR
3B	566025	LOCKING PLATE*
3C	585016	BALL*
3D	M30348	SCREW COVER
3E	552116	SCREW, CHEESE HEAD M3X10-SS*
3F	552245	SCREW, M3 X 10 PHPH, SS* (USED TO MOUNT ITEM 3)
3G	553717	LOCKWASHER, 3MM SS (USED WITH ITEM 3F)
4	565225	CLAMP (DOES NOT INCLUDE ITEM 5)
5	585205	PIN
5A	250476	LEVEL DETECTOR WRENCH (USED ON ITEM 5 – OLD STYLE)
5B	335140-01	3.5 MM: NUT DRIVER (USED ON ITEM 5 – NEW STYLE)
6	642697	SCREW. FHD PHIL, M5X16, S.S.
7	645669	LABEL ("ATTENTION: RECALIBRATE FOR BLOOD LINE MODEL IN USE")
8	190482	LEVEL DETECTOR FACEPLATE REPLACEMENT KIT*

*ITEM NOT ILLUSTRATED.

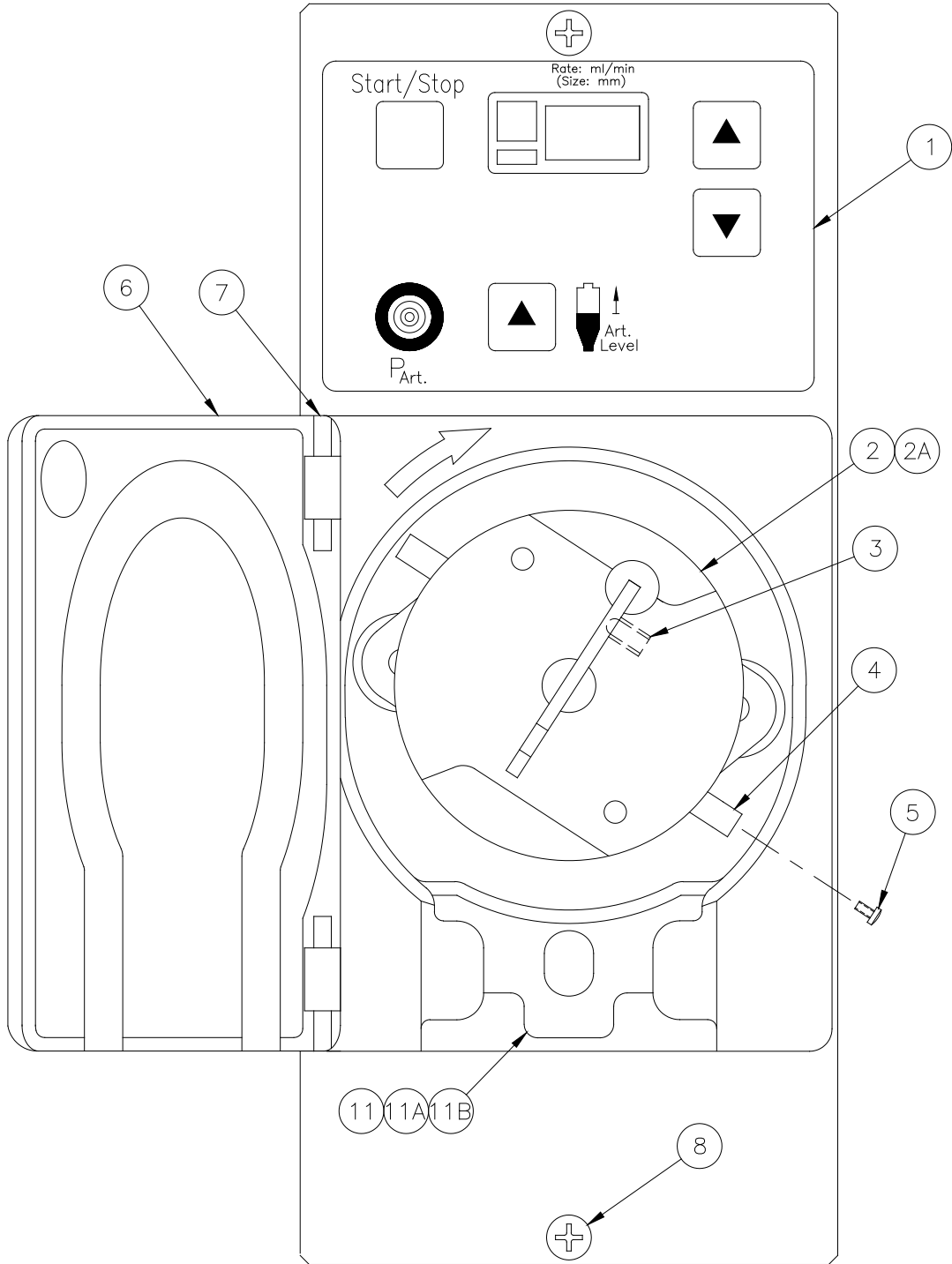


LEVEL DETECTOR MODULE – REAR VIEW

6.1.1 LEVEL DETECTOR MODULE - REAR VIEW

SEQ.	PART NUMBER	DESCRIPTION
2	677957	DOOR, LEXAN
3	M33533	LUER LOCK CONNECTOR, STAINLESS STEEL
4	M30341	LEVEL DETECTOR HOUSING, 22mm, COMPLETE
4A	M30342	HOUSING (WITHOUT DOOR, LATCH, & SENSORS)
5	650723	HINGE PIN
6	330606-05-01	LOCK WASHER
7	553623	LUER LOCK NUT –M6
8	645198	SPRING, STRONG (USE WITH 8A)*
8A	645199-Q	SPACER, THIN WASHER, STANDARD (USE WITH 8)
9	M30402	LEVEL DETECTOR SENSOR, PAIR (WITH PHONO PLUGS -MUST BE SOLD AS MATCHED PAIR)
9A	565796	INSULATING MICA*
9B	640257	PLATE*
9C	552550	SCREW FH PHIL M3X8*
9D	640944	PIN, 3.5 x 16 FOR LD
11	F40013127	FILTER/TUBE, LEVEL DETECTOR
12	M31451	LP 450 BOARD
13	539148-Q	RIBBON CABLE (TO MONITOR REAR PANEL)
14	643276	PRESSURE TRANSDUCER
15	F40019637	CONNECTING TUBE, AIR, ASSEMBLY, LEVEL DETECTOR MODULE
16	640287	JUMPER BLOCK
17	673068	LEVEL ADJUST PUMP – COMES WITH PLATE
18	M39460	SOLENOID VALVE, 24V, 3 WAY – COMES WITH CABLE (SCREWS N/A)
18A	640228	TUBING CONNECTOR*
18B	539172	CABLE ASSEMBLY – ONLY*
18C	552310	SCREW, M5 X 8 PNHD PHIL SS* (MOUNTS VALVE BRACKET TO LINE CLAMP SOLENOID)
19	F50004809	SILICONE TUBE, CLEAR, 3 X 1 MM, SPARE, 100 METER ROLL
20	576320	TEE (POLYPROPYLENE) 1/8" X 1/8" 1/8"
21	F40019594	TRANSDUCER PROTECTOR FOR LD
22	641640	CLAMP, TUBING
23	M31782	CABLE ASSEMBLY, LEVEL ADJUST SWITCH *
24	674672	SOLENOID, (FOR TUBING CLAMP)
25	552431	SCREW FH PHILLIPS M4X16 S.S.
26	M44189	LEVEL DETECTOR SHORT RAIL
27	647791	CLAMP, 1 EAR TUBING, 5.9 - 7.0MM, SS
28	670858	PCB GUIDE

*ITEM NOT ILLUSTRATED.

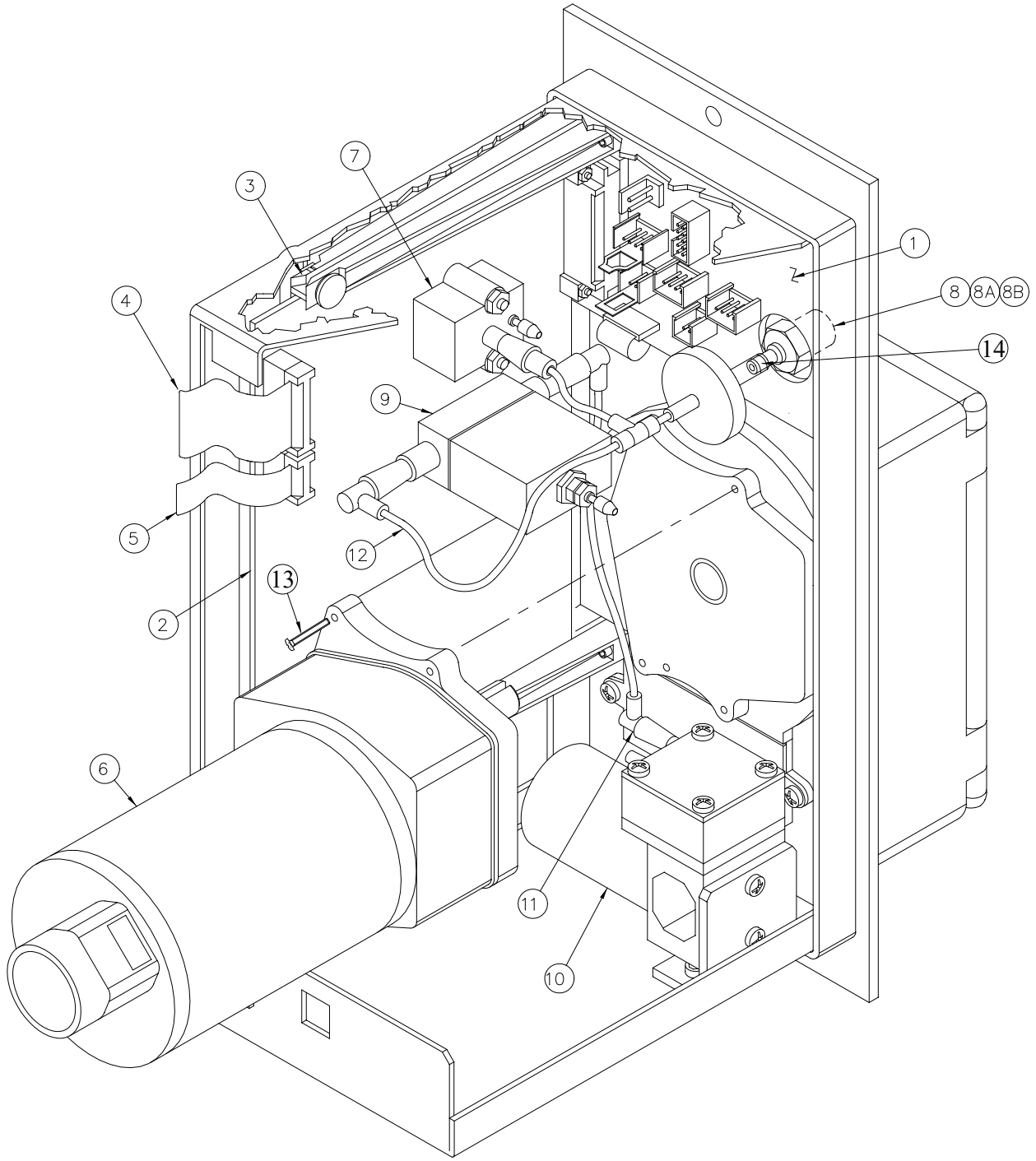


BLOOD PUMP, ARTERIAL

6.2.0 ARTERIAL BLOOD PUMP - FRONT VIEW

SEQ.	PART NUMBER	DESCRIPTION
	F40008688	ARTERIAL BLOOD PUMP, 2008T BLUESTAR (CAN BE USED IN <u>ANY</u> 2008 SERIES MACHINE)
1	M30660	TOUCH PAD
2	F40015481	ROTOR COMPLETE
2A	250473	ROTOR SPRING* (2.5 MM, ALLEN WRENCH TO ACCESS)
2B	190953	BLOOD PUMP COVER REPLACEMENT KIT* (INCLUDES: ROTOR COVER, ADHESIVE AND INSTRUCTIONS)
2C	M33237	LOCTITE, FAST-ACTING GLUE, NO. 401, 20ML*
3	564301	RETAINER SCREW FOR ROTOR LEVER (INCLUDES SPRING AND BALL INSIDE SCREW)
4	641256	BLOOD TUBING GUIDE ROLLER
5	552255	SCREW FOR TUBING GUIDE ROLLER
6	677959	DOOR
7	567172	HINGE PIN, (2MM HEX HEAD)
8	642697	SCREW, FHD PHIL, M5X16, S.S.
9	673615	ROTOR HANDCRANK*
10	673618	BLOOD PUMP ROTOR HANDCRANK RETAINER PIN* NOTE - ACTUAL DESCRIPTION IS: SUPPORT, CIRCUIT BOARD, NY
11	M30661	TUBING RETAINING CLAMP
11A	671796	SPRING*
11B	671797	PIN*
12	190481	BLOOD PUMP FACEPLATE REPLACEMENT KIT* COMES WITH ROTOR HOUSING AND TOUCH PAD

*ITEM NOT ILLUSTRATED.



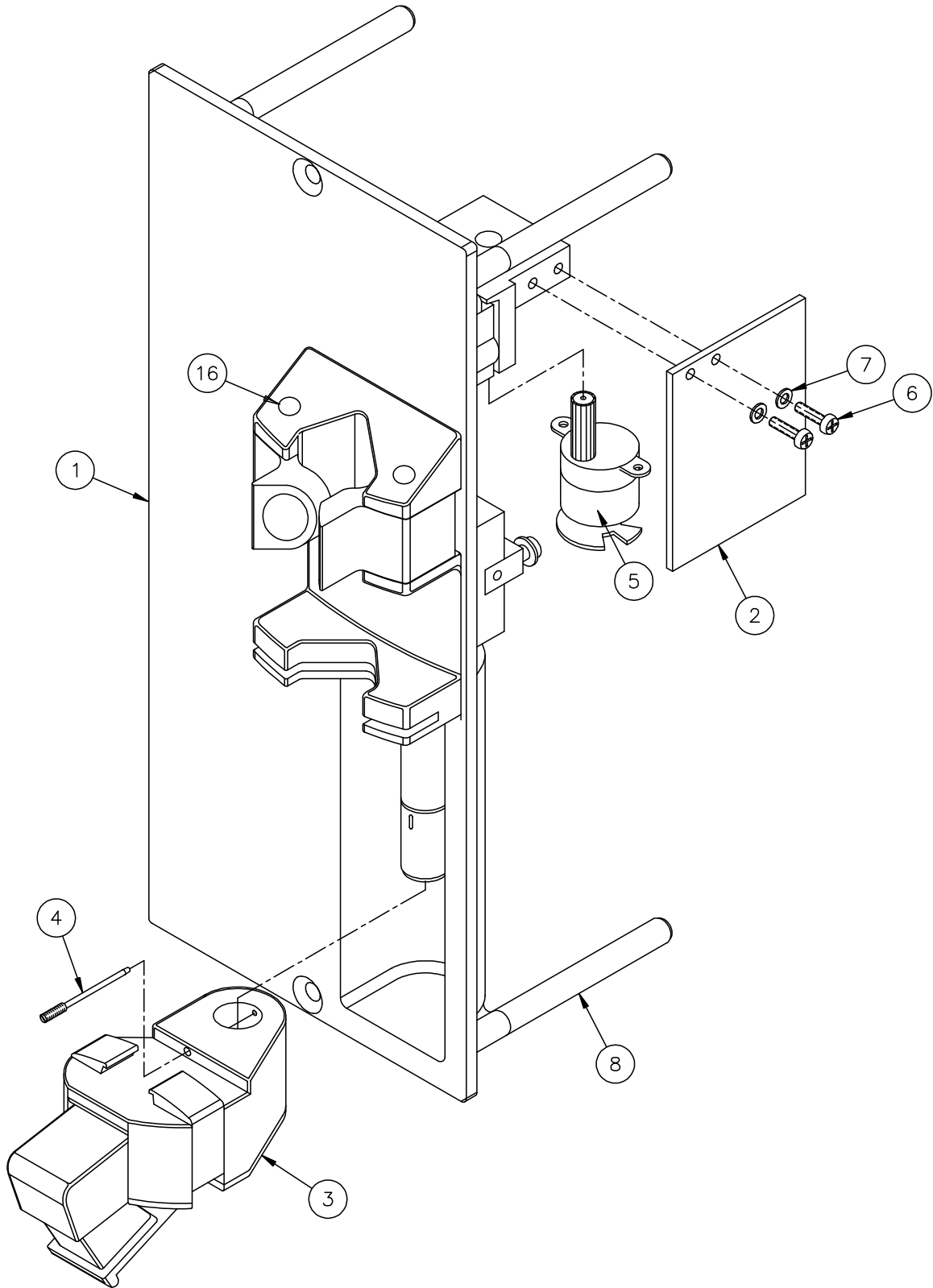
BLOOD PUMP, ARTERIAL

6.2.1 ARTERIAL BLOOD PUMP - REAR VIEW

SEQ.	PART NUMBER	DESCRIPTION
1	677820	CIRCUIT BOARD LP956
2	677818	CIRCUIT BOARD LP955
3	670858	GUIDE FOR PCB
4	539148-Q	RIBBON CABLE (TO MOTHER BOARD)
5	670658-Q	RIBBON CABLE (SERIAL COMM. – TO P10 ON FUNCTION BOARD)
6	M49706	DC MOTOR, GEAR DRIVE, AND TACHOMETER ASSEMBLY NOTE: WITH CABLE TO LP956 & SHAFT O-RING
6A	M30682	O-RING 32MM I.D. X 2.5MM WALL (GOES IN GROOVE)*
6B	M55714	BRUSHES 12MM LONG* (MARKED WITH '70' DESIGNATION)
6C	M55713	ENCODER KIT FOR BLOOD PUMP
7	643276	TRANSDUCER
7A	647791	CLAMP, 1 EAR TUBING, 5.9 - 7.0MM, SS*
8	M33533	LUER LOCK CONNECTOR
8A	330606-05-01	WASHER, 1/4" SPLIT LOCK*
8B	553623	NUT, M6, SS*
9	M39460	SOLENOID VALVE, 24V, 3 WAY – WITH CABLE
10	673068	LEVEL ADJUST PUMP (COMES WITH CABLE)
11	F40019637	CONNECTING TUBE
12	M30971	TRANSDUCER PROTECTOR AND LINE
13	552282	SCREW, PHILLIPS, M4X20*
13A	330601-03-01	WASHER,FLAT,#8,.188ID X.375 OD X.05T,SS*
13B	330606-03-01	WASHER, #8 SPLIT LOCK*
14	641640	CLAMP, TUBING
15	670710	DOOR SENSOR*
15A	M30671	DOOR SENSOR WITH HOLDER*
15B	M30677	RING, DOOR MAGNET*
16	670709	ROTATION SENSOR* (DOES NOT COME WITH HOLDER)
16A	552243	SCREW, M3 X 6 SS PAN HD PHIL*
17	M32592	2008K SINGLE NEEDLE BLOOD PUMP*
18	190381	SINGLE NEEDLE UPDATE KIT*

NOTE: INSULATING MAT/GASKET THAT GOES BETWEEN MOTOR ASSEMBLY AND FRONT PANEL IS NOT AVAILABLE AS A SPARE PART.

*ITEM NOT ILLUSTRATED.

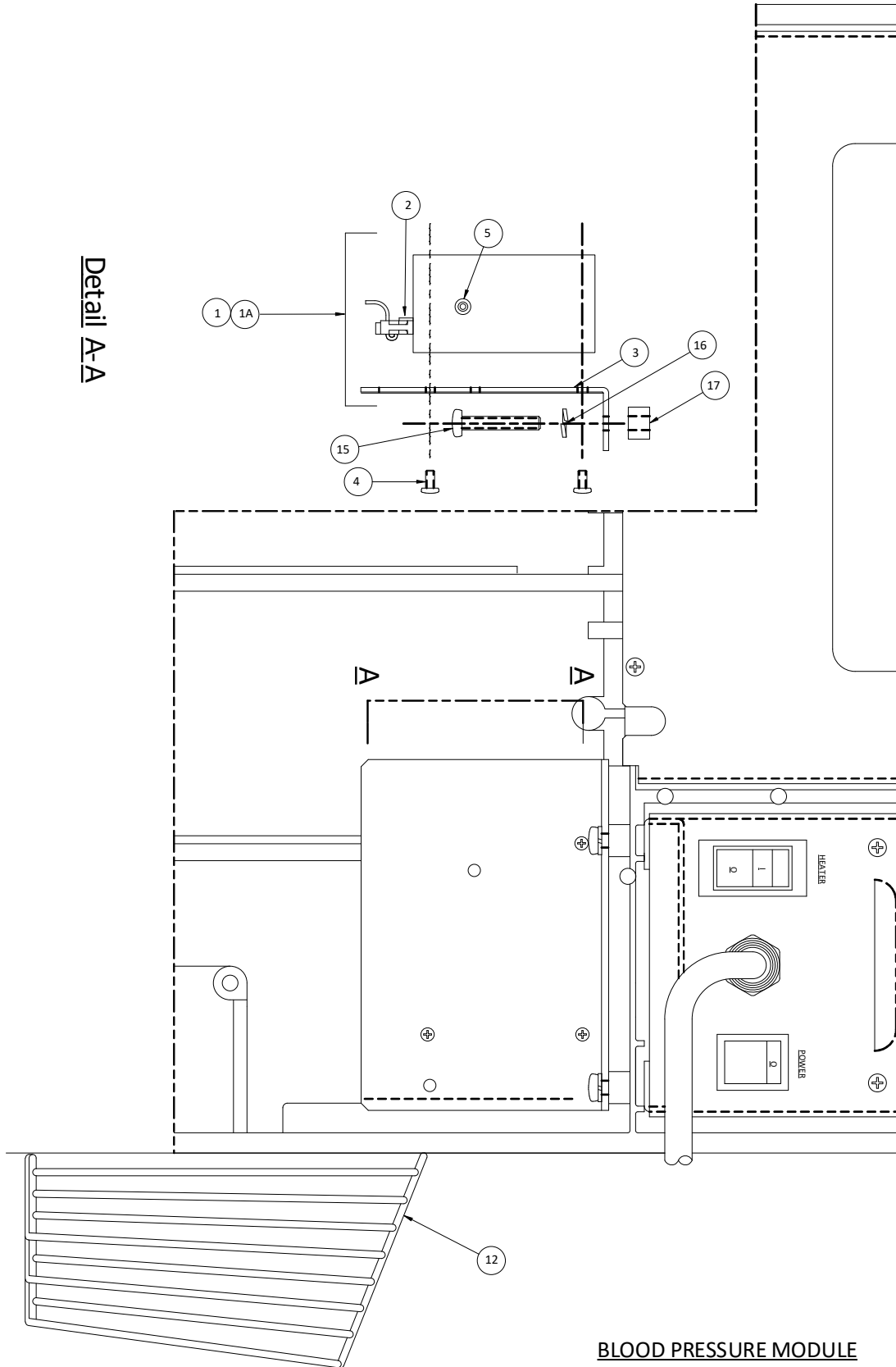


DIGITAL HEPARIN PUMP

6.3.0 DIGITAL HEPARIN PUMP

SEQ.	PART NUMBER	DESCRIPTION
1	677971	DIGITAL HEPARIN PUMP
2	677636	HEPARIN PUMP INTERFACE BOARD
3	677975	CARRIAGE/PLUNGER HOLDER ASSEMBLY
4	677634	CARRIAGE/PLUNGER HOLDER PIN
5	M30912	GEAR MOTOR WITH CONNECTOR (MOTOR ONLY – NO GEAR; USE 1.5MM TOOL)
5A	552244	SCREW, PH, PHL, M3X8, DIN 7985*
6	552243	SCREW, M3X6 SS PAN HD PHIL
7	330602-01-01	WASHER, #4 PLAIN SS
8	677627	MOUNTING ROD
9	535738	TERMINAL, 6.3 MM X 0.8 MM, AMP*
10	552275	SCREW, M4X8 PAN HEAD PHIL SS (USED WITH ITEM 9)*
11	330606-03-01	WASHER, #8 SPLIT LOCK (USED WITH ITEM 9)*
12	553693	WASHER, A4.3, DIN 125 SS (USED WITH ITEM 9)*
13	553733	WASHER LOCK TOOTH A4.3 SS (USED WITH ITEM 9)*
14	190124	CABLE, DIGITAL HEPARIN PUMP*
15	190483	HEPARIN PUMP FACEPLATE REPLACEMENT KIT*
16	677630	CAP,COVER,6.4MM OD X 5.9MM H,SYRINGE BOD

*ITEM NOT ILLUSTRATED.



6.4.0 BLOOD PRESSURE MODULE

NOTE: THE TM-2917 MODULE IS REFERRED TO AS **BPM3**. PREVIOUS MODULES ARE REFERED TO AS **BPM2†**. DUE TO DEFIBRILLATOR-PROOF COMPLIANCE LABELING ON MACHINES EQUIPPED WITH BPM3 MODULES, BPM2 AND BPM3 CUFF/TUBING COMBINATIONS ARE **NOT** INTERCHANGEABLE.

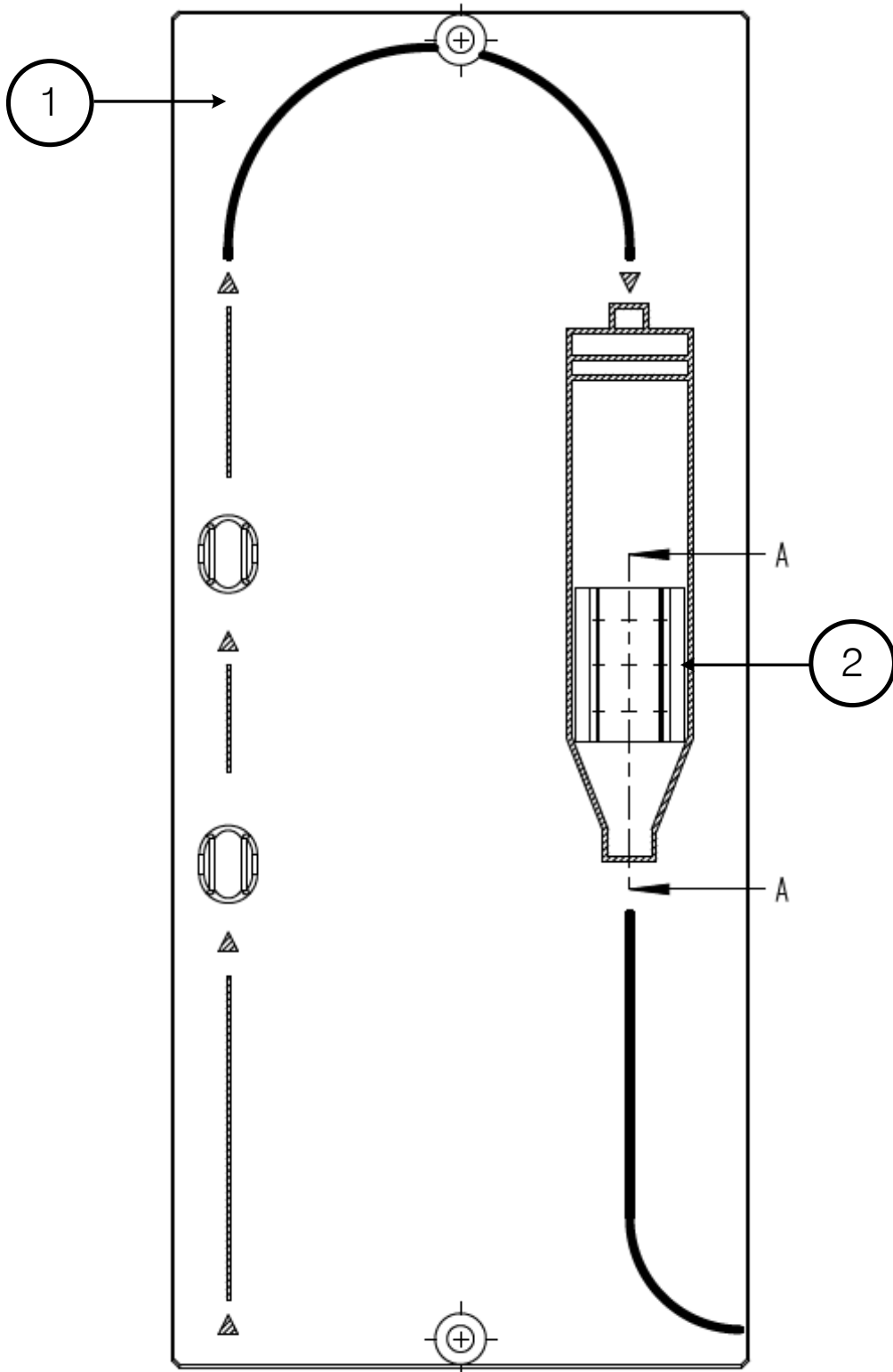
SEQ.	PART NUMBER	DESCRIPTION
1	191378	TM-2917 REPLACEMENT KIT** (Includes items: 2, 3, 4, 5)
1A	191389	TM-2917 UPGRADE KIT** (Includes items: 2, 3, 4, 5, 7, 11)
2	150526	CABLE
3	290075	MOUNTING BRACKET
4	330920-02-01	SCREW, PHPH, M3 X 6 W-LW, ZI
5	332141-02	TUBING CONNECTOR PIECE (FOR TM-2917 & TM-2915 ONLY)
<u>CUFFS (BPM3)</u> – COMES WITH FEMALE FITTING		
6	F40016608	CUFF – SMALL (17-24 CM)*
7	F40016609	CUFF – MEDIUM (24-34 CM)*
8	F40016610	CUFF – LARGE (34-50 CM)*
9	F40016611	CUFF – EXTRA LARGE (50-70 CM)*
10	191383	CUFF SET – (Includes Items: 6, 8 &9)*
11	390846	TUBING – 2.5M (BPM3) – INCLUDES MALE CONNECTOR
<u>BASKET</u>		
12	370030	CUFF STORAGE BASKET (WHITE SMALL)
13	537204	CLAMP #3, NYLON (FOR MOUNTING CUFF STORAGE BASKET)*
14	330098-08-01	SHEET METAL SCREW, PHPH, #8 X 5/8, SS (FOR ITEM 33)*
<u>MISC</u>		
15	552345	SCREW, PNHD PHIL, M6X35, S.S.
16	330606-05-01	WASHER, 1/4" SPLIT LOCK, S.S.
17	338013-03	SPACER, 1/4"ID, 3/4"OD, 3/8"L, NYL
18	336138-03	FILTER, IN-LINE, 3/16" BARBED*
19	370090	DUAL DUMMY CUFF (220 & 700 ML)*
20	370091	‘Y’ TEST TUBING & T-CONNECTOR*
21	370035	BLOOD PRESSURE MODULE TEST KIT (CONTAINS ITEMS 19 & 20)*
<u>CUFFS (BPM2†)</u> – COMES WITH FEMALE FITTING		
25	370027	CUFF – CHILD (18 - 26 CM)*
26	370011	CUFF – STANDARD ADULT (25 - 35 CM)*
27	370028	CUFF –ADULT LARGE (33 – 47 CM)*
28	370029	CUFF – ADULT THIGH (46 – 66 CM)*
29	370010	CUFF SET (Includes Items 25, 27, 28, & 31)*
30	150062-01	CUFF KIT (Includes Items (12,14,26,31)*
<u>TUBING/CONNECTOR (BPM2†)</u>		
31	370094	TUBING 3.5M, VINYL – COMES WITH MALE FITTING*
32	370033	CUFF TUBING CONNECTOR, LUER (MALE) S.S.*
33	370045	CUFF TUBING CONNECTOR, LUER (FEMALE) S.S.*

CABLES – BPM2†				
Module	TM2915	M2600/M3600	TM2910	Suntech/M2000
P/N	150526	150481	150478	190225

*ITEM NOT ILLUSTRATED.

**BLOOD PRESSURE MODULE NOT AVAILABLE SEPARATELY – KIT ONLY.

† BPM2 INCLUDES: (M2600, M3600, TM2915, Suntech, M2000)



TUBING ORGANIZER PLATE

6.5.0 TUBING ORGANIZER PLATE

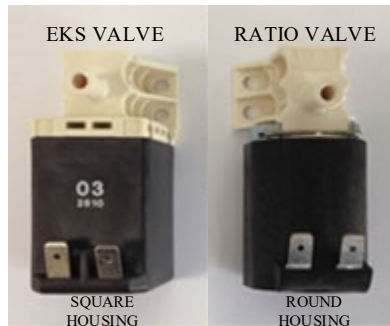
SEQ.	PART NUMBER	DESCRIPTION
1	M31268	TUBING ORGANIZER PLATE ASSEMBLY
1A	191113	TUBING ORGANIZER FACEPLATE ASSEMBLY – MOLDED NOTE: GROUND WIRE NOT REQUIRED
2	M31355	DRIP CHAMBER HOLDER – MOLDED
3	M31175	PLATE, BLANK, MODULE, ROSE GREY*

*ITEM NOT ILLUSTRATED.

7.0.0 HYDRAULIC ASSEMBLY

7.1.0 VALVE SUMMARY

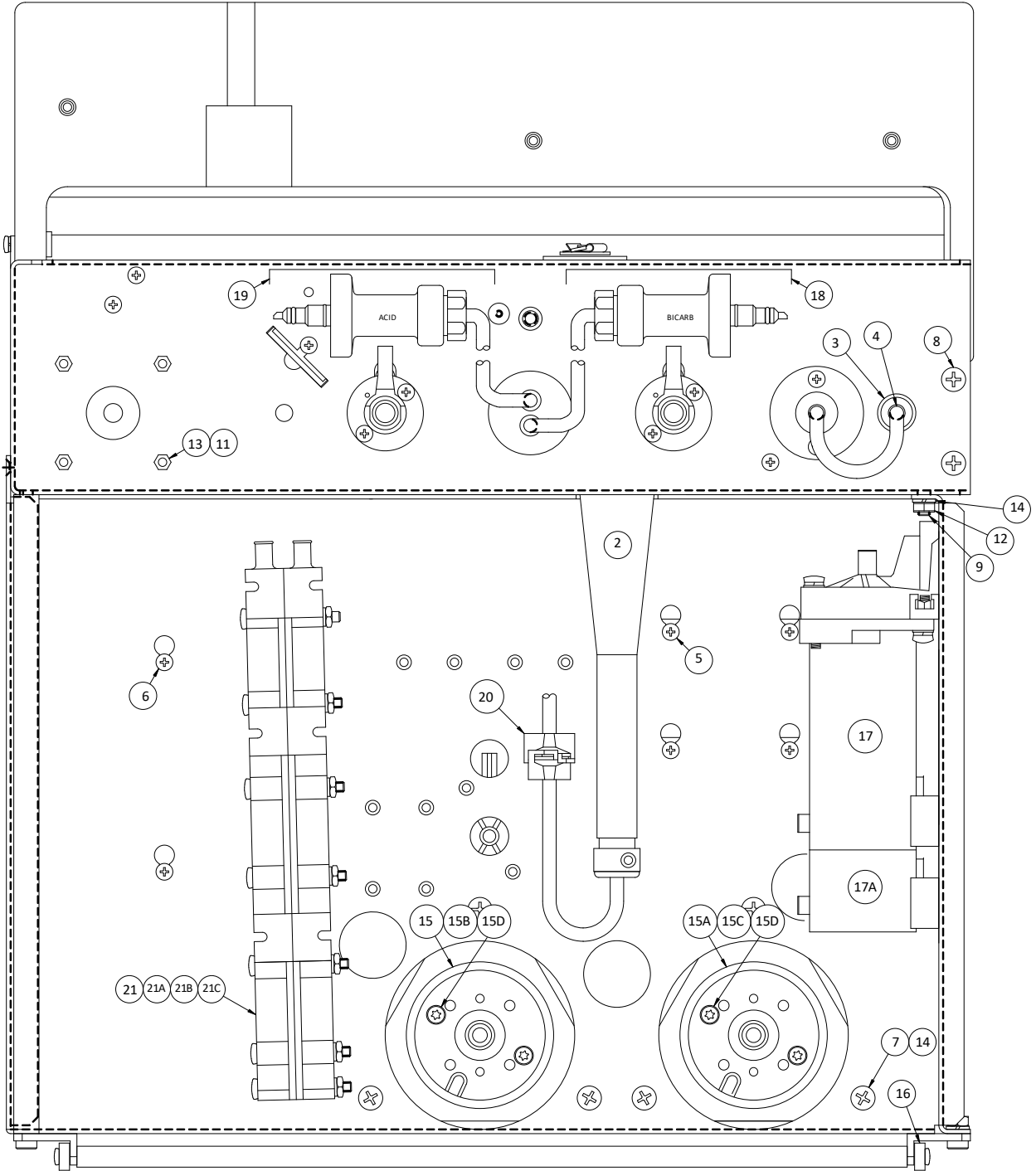
Valve	Description	Part Number	# of Ports
24	Dial 1	F40008723	2
25	Dial 2	F40008725	2
26	Bypass	F40008714†	1
27/41	Inlet	F40008716	1
28	Test	M55508*	1
29	Recirc	F40008716	1
30	Drain	F40008723	2
31	Balance Chamber Top	F40008716	1
32			
33			
34			
35	Balance Chamber Bottom	F40008718	1
36			
37			
38			
39	Hydro/Dear	F40008718	1
43	Air Separator	F40008716	1
Bibag			
100	Fill	M55508*	1
101	Vent	M55508*	1
103	Outlet	M55508*	1
104	Bicarb	M55509*	2
105	Acid	M55509*	2
108	Rinse	M55509*	2
Unharnessed Valves			
	1 Port	2 Port	
	M55508*	M55509*	
Wiring Harness – 643396 (ALL VALVES EXCEPT V26) V26 Wiring Harness only available with V26 complete.			



EKS & RATIO VAVES ARE INTERCHANGEABLE

*DOES NOT COME WITH WIRING HARNESS

†SINGLE PORTED VALVE WITH WIRING HARNESS.

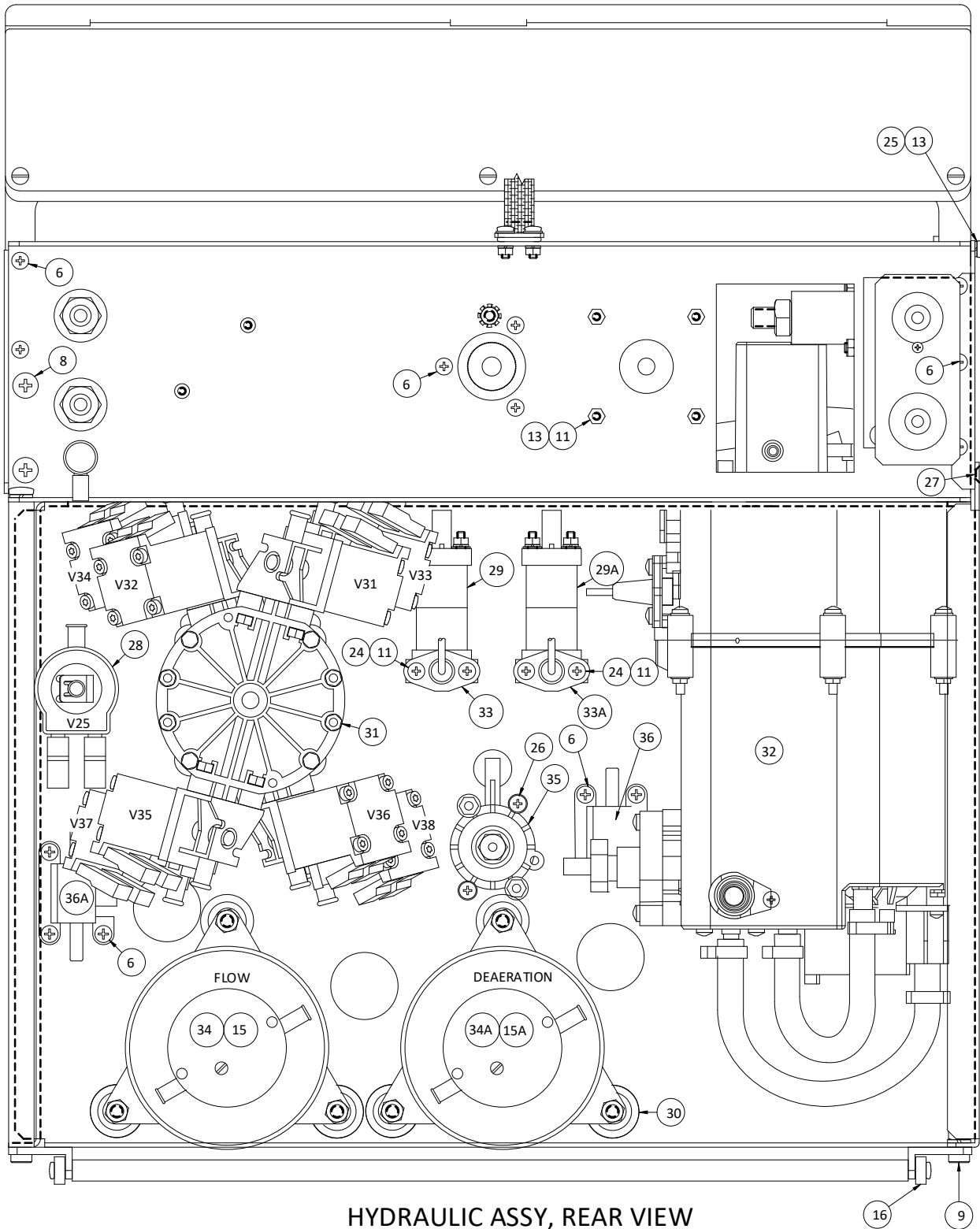


HYDRAULIC ASSY, FRONT VIEW

7.2.0 HYDRAULIC ASSEMBLY - FRONT VIEW

SEQ.	PART NUMBER	DESCRIPTION
2	F40008694	AIR SEPARATOR ASSEMBLY (2008T BLUESTAR) (CAN BE USED ON ANY 2008 SERIES MACHINE)
3	672396	SAMPLE PORT CONNECTOR
4	671780	PORT, FEMALE LUER LOCK
5	552274	SCREW, PNHD PHIL, M4X6, S.S.
6	644091	SCREW, PNHD PHIL, SELF LOCKING, M4X8, S.S.
7	552334	SCREW, PNHD PHIL, M6X10. S.S.
8	552335	SCREW, PNHD PHIL, M6X12 S.S.
9	552239	SCREW, SHCS, M6X12, S.S.
11	553621	NUT, HEX, M4 DIN 934ST
11A	M46397	NUT, M4, SERRATED, ZINC (HAS SERRATED SHOULDER WASHER BUILT-IN)
12	553623	NUT, M6, S.S.
13	330606-03-01	WASHER, #8 SPLIT LOCK, S.S.
14	330606-05-01	WASHER, 1/4" SPLIT LOCK, S.S.
15	641629	PUMP DRIVE ASSEMBLY, DEAERATION (LESS PUMPHEAD, SEE PAGE 109)
15A	565342	PUMP DRIVE ASSEMBLY, FLOW (LESS PUMPHEAD, SEE PAGE 109)
15B	645752	MOTOR, DEAERATION (HARD BRUSH)
15C	565345	MOTOR, FLOW (SOFT BRUSH)
15D	676982	SCREW, TORX HD, M5X0.8, 90MM LNG
16	643160	BALL BEARING
17	671105	BICARBONATE MIXING CHAMBER (MOLDED)
17A	671105	ADDITIONAL BICARBONATE CHAMBER FOR OLC
17B	190314	BICARBONATE MIXING CHAMBER, (MOLDED W/BRACKET)*
17C	290204	BRACKET, (USE WITH ITEM 17 ON OLDER CHASSIS)*
17D	552275	SCREW, M4X8 PAN HEAD PHIL SS (USED ON ITEM 17)*
17E	553621	NUT, HEX, M4 DIN 934ST (USED ON ITEM 17)*
17F	F50007225	O-RING (USED ON ITEM 17)*
18	645698 or F40009110	BICARBONATE CONNECTOR ASSEMBLY (SEE PAGE 115 OR 117)
19	645699 or F40009108	CONCENTRATE CONNECTOR ASSEMBLY (SEE PAGE 111 OR 113).
20	M48341	TITO FILTER 5.5 MM BARB
21	M52821	HEAT EXCHANGER
21A	650775	HEAT EXCHANGER PLATE*
21B	M42354	GASKET (2 REQ)*
21C	F40007106	O-RING (4 REQ)*
21D	552276	SCREW, M4X10 PNHD PHIL SS (USED TO MOUNT ITEM 21)
21E	553621	NUT, HEX, M4 DIN 934ST (USED FOR 21D)

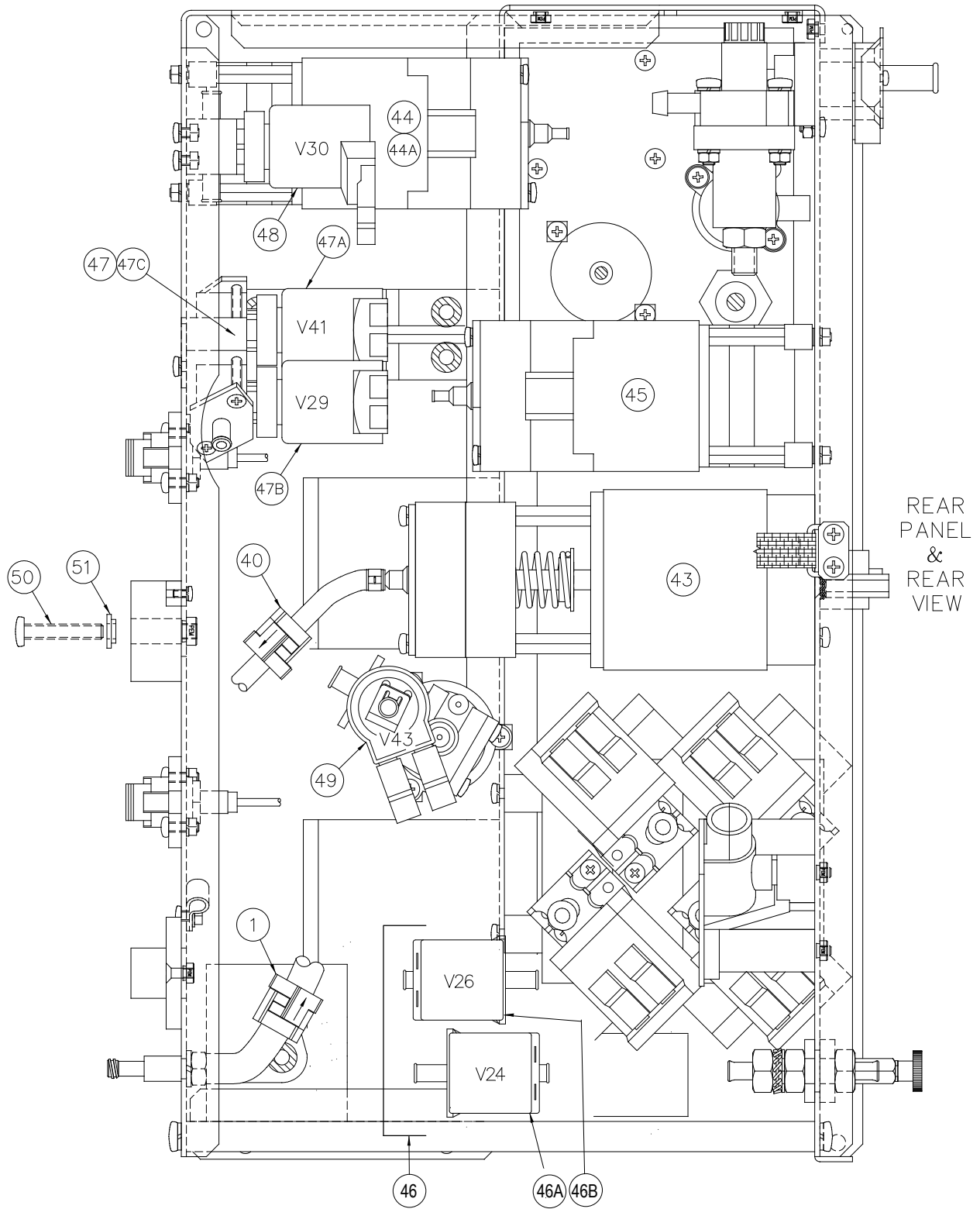
*ITEM NOT ILLUSTRATED.



7.2.1 HYDRAULIC ASSEMBLY - REAR VIEW

SEQ.	PART NUMBER	DESCRIPTION
6	644091	SCREW, PNHD PHIL, SELF LOCKING, M4X8, S.S.
6A	330801-03	SNAP RIVET,NYL BLK*
8	552335	SCREW, PNHD PHIL, M6X12 S.S.
9	552239	SCREW, SHCS, M6X12, S.S.
11	553621	NUT, HEX, M4 DIN 934ST
11A	M46397	NUT, M4, SERRATED, ZINC (HAS SERRATED SHOULDER WASHER BUILT-IN)
13	330606-03-01	WASHER, #8 SPLIT LOCK, S.S.
15	565342	PUMP DRIVE ASSEMBLY, FLOW (LESS PUMPHEAD, SEE PAGE 109)
15A	641629	PUMP DRIVE ASSEMBLY, DEAERATION (LESS PUMPHEAD, SEE PAGE 109)
15B	645752	MOTOR, DEAERATION (USES HARD BRUSH)*
15C	565345	MOTOR, FLOW (USES SOFT BRUSH)*
16	643160	BALL BEARING
24	552277	SCREW, PNHD PHIL, M4X12, S.S.
25	552279	SCREW, PNHD PHIL, M4X16, S.S.
26	552287	SCREW, PNHD PHIL, M4X30, S.S.
27	641008	SCREW, M4X8 FLAT HD PHIL, S.S.
28	F40008725	VALVE 25 – 2008T BLUESTAR
29	M46410	CONDCTIVITY CELL
29A	M46410	POST CONDUCTIVITY CELL
30	572597	SHOCK ABSORBER (OLD STYLE)
30A	F40019039	SHOCK MOUNT, RIVET NUT M5 (FOR RIVETED HYDRAULICS)
30B	M40070	SCREW, PNHD, TORX T20, M5 X 20, SS (USED WITH ITEM 30A)
31	F40008706	BALANCE CHAMBER ASSEMBLY
32	M33974	HYDROCHAMBER ASSEMBLY, (COMPLETE) (SEE PAGE 103)
32A	F40008702	HYDROCHAMBER ASSEMBLY – COMPLETE (2008T BLUESTAR)
33	M46405	TEMPERATURE SENSOR
33A	M46405	POST TEMPERATURE SENSOR
34	675142	GEAR PUMP HEAD – CAN BE USED FOR DEAERATION OR FLOW
34A	F40019666	DEAERATION PUMP HEAD – USE ONLY FOR DEAERATION
35	647145	PRESSURE RELIEF VALVE, FLOW PUMP
35A	651517	PLATE (FRONT)*
35B	M53354	PLATE (BACK)*
35C	565650	PUMP MEMBRANE*
35D	642585	SPRING FOR HIGH FLOW*
35E	553621	NUT, HEX, M4
35F	552282	SCREW, PHILLIPS, M4X20
36	190078	PRESSURE TRANSDUCER ASSEMBLY W/TUBING-CFS
36A	370506-22	PRESSURE TRANSDUCER W/O TUBING
37	338005-02-01	WASHER, CAPTIVE #8 1/16 *(USED WITH ITEM 36 & 36A)
38	641992	DIALYSATE HOSE ASSEMBLY* (2008K SERIES– BLUE) (SEE PAGE 19)
38A	M43613	DIALYSATE HOSE ASSEMBLY* (2008T– BLUE) (SEE PAGE 27)
39	641993	DIALYSATE HOSE ASSEMBLY* (2008K SERIES – RED) (SEE PAGE 19)
39A	M43612	DIALYSATE HOSE ASSEMBLY* (2008T– RED) (SEE PAGE 27)

*ITEM NOT ILLUSTRATED



HYDRAULIC ASSY., TOP VIEW
 (SHOWN WITH DISTRIBUTION BOX REMOVED)

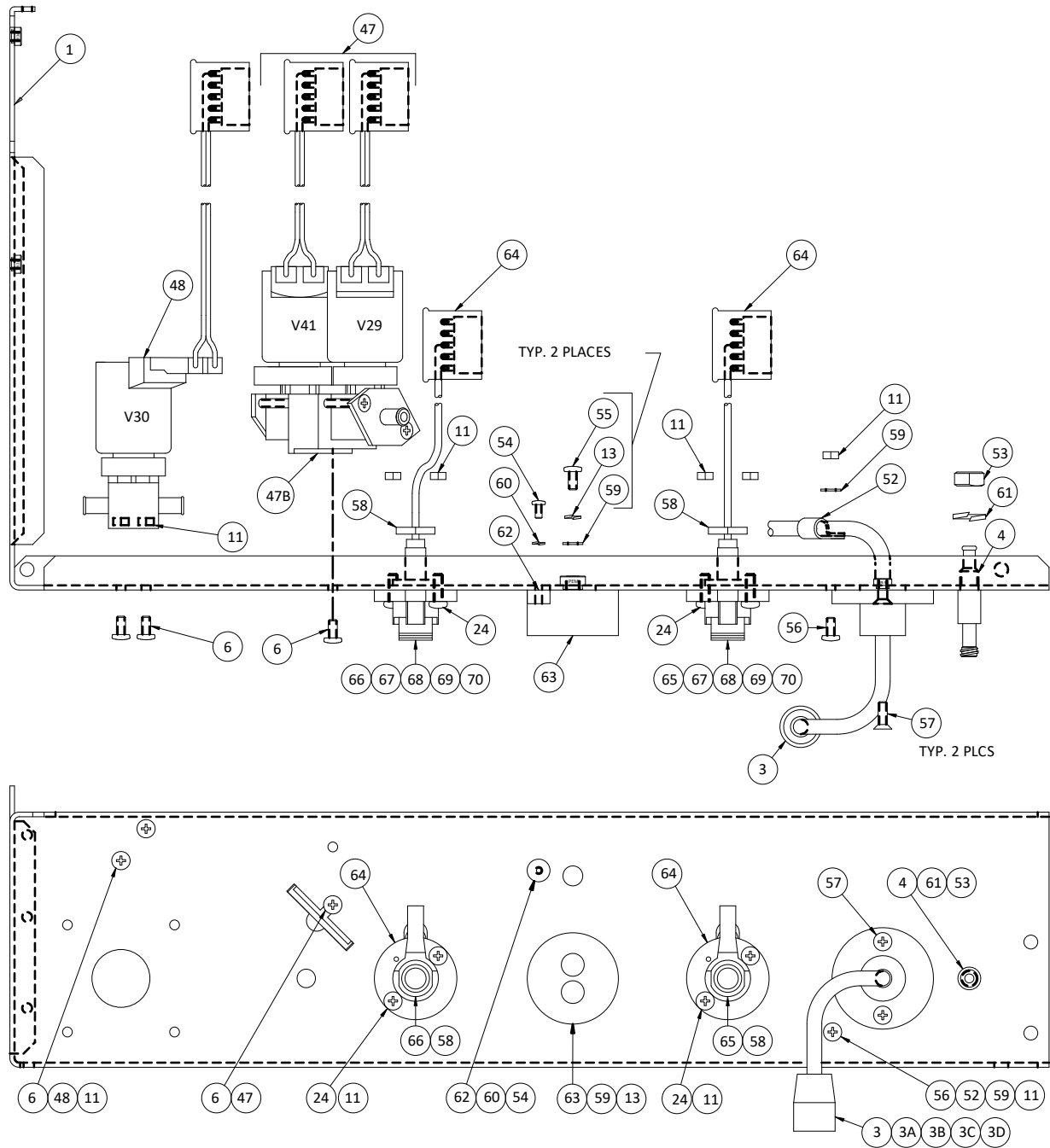
7.2.2 HYDRAULIC ASSEMBLY – TOP VIEW

SEQ.	PART NUMBER	DESCRIPTION
1	150568	CHECK VALVE (3 GRAM SPRING)
40	150570	CHECK VALVE (15 LB. SPRING)
43	565806	UF-PUMP (SEE PAGE 123)
43A	F40007129	UF PUMP - 2008T BLUESTAR
44	M304441	CONCENTRATE PUMP ASSEMBLY – OLC ONLY (2 WEAK SPRINGS) (SEE PAGE 119)
44A	F40007128	ACID/BICARB PUMP COMPLETE – 2008T BLUESTAR
45	672429	BICARBONATE PUMP ASSEMBLY (SEE PAGE 121)
45A	F40007128	ACID/BICARB PUMP COMPLETE – 2008T BLUESTAR
46	F40011858	V24/V26 VALVE ASSEMBLY
46A	F40008723	VALVE 24
46B	M55509	VALVE 26 – VALVE ONLY, NO WIRING HARNESS, DUAL PORTED.
46C	F40008714	VALVE 26* – SINGLE PORTED VALVE WITH WIRING HARNESS (NOTE: VALVE 26 WIRING HARNESS NOT AVAILABLE SEPARATELY)
47	F40008709	V27/V29 VALVE ASSEMBLY (INCLUDES ITEM 47C)
47A	F40008716	VALVE 27(41) †
47B	F40008716	VALVE 29
47C	290814	DUAL VALVE MANIFOLD (FOR ENHANCED BACKFLOW PREVENTION)
47D	F40007101	O-RING*
48	F40008723	VALVE 30
49	F40008716	VALVE 43
50	552345	SCREW, PNHD PHIL, M6X35, S.S.
51	572604	BUSHING, GREY FRONT HYD. SCREW

*ITEM NOT ILLUSTRATED.

† VALVE 41 IS ALSO KNOWN AS VALVE 27.

NOTE: SEE SECTION 7.1.0 FOR A SUMMARY OF VALVES.

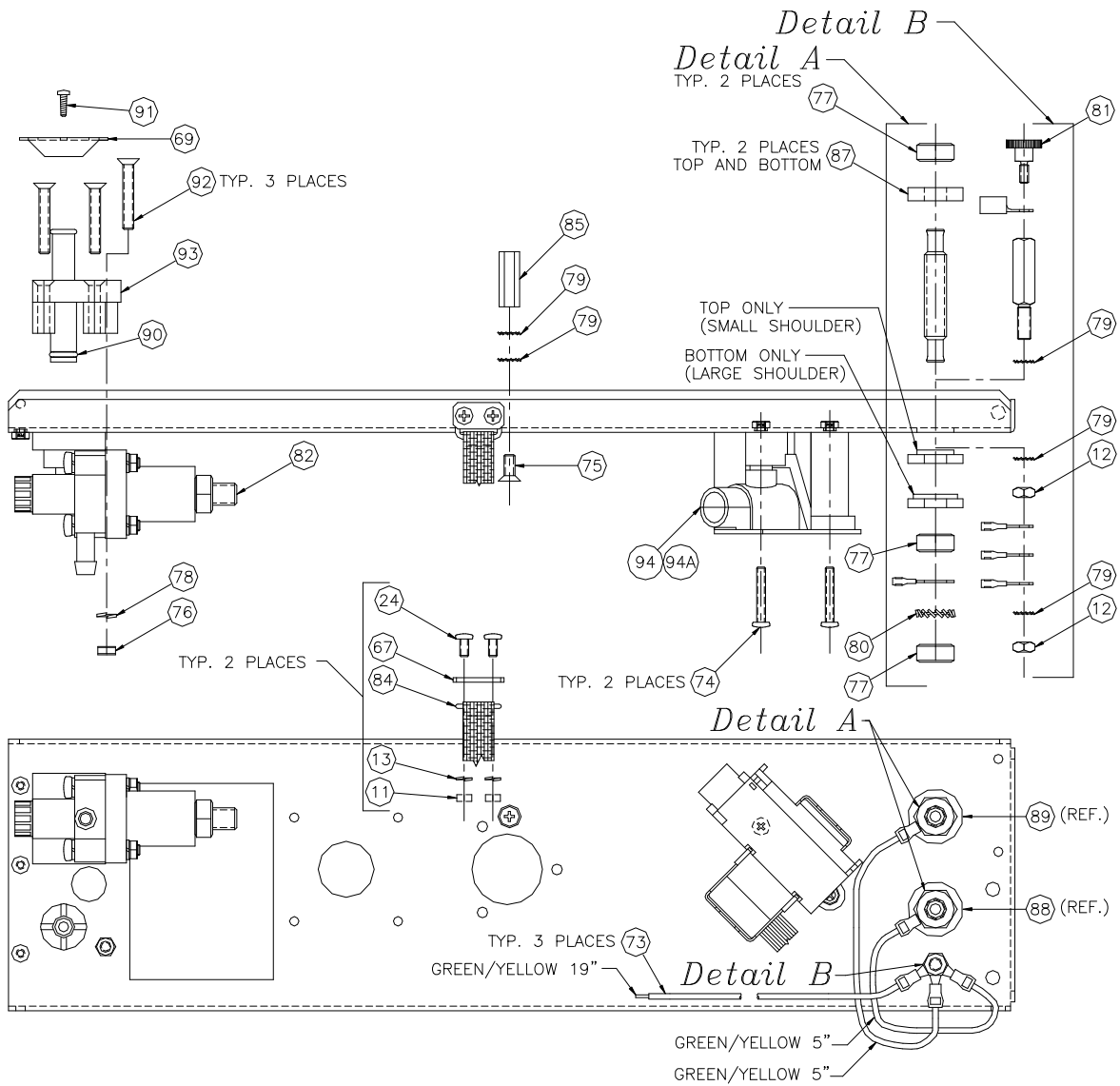


HYDRAULIC ASSY., FRONT PANEL

7.3.0 HYDRAULIC FRONT PANEL ASSEMBLY

SEQ.	PART NUMBER	DESCRIPTION
1	M46391	FRONT PANEL (RIVETED)
3	672396	MALE LUER LOCK ASSEMBLY SAMPLE PORT COMES WITH 18.5 INCHES OF TUBING
3A	671779	CERAMIC HANDLE
3B	563150	CIRCLIP 4mm*
3C	671540	MALE LUER LOCK CONNECTOR*
3D	671541	LUER LOCK NUT*
4	671780	FEMALE LUER LOCK
6	644091	SCREW, M4X8 PH PHIL, SELF LOCKING, S.S.
11	M46397	NUT, M4 SERRATED, ZINC PLATED
24	552277	SCREW, M4X12 PNHD PHILLIPS, S.S.
47	F40008709	VALVE PAIR 27/29 ASSEMBLY
47B	290814	DUAL VALVE MANIFOLD (FOR ENHANCED BACKFLOW PREVENTION)
48	F40008723	VALVE 30
52	537204	CABLE CLAMP
53	551625	NUT, M8X1.0, S.S.
54	552244	SCREW, PNHD PHIL, M3X8, S.S.
55	552275	SCREW, PNHD PHIL, M4X8, S.S.
56	552276	SCREW, PNHD PHIL, M4X10, S.S.
57	552430	SCREW, FLATHEAD, M4X12, S.S.
58	553682	NUT, M14X1, RINSE PORTS, S.S.
59	553693	WASHER, A4.3, DIN 125, S.S.
60	553717	LOCKWASHER, 3mm, S.S.
61	330937-04-01	LOCKWASHER, SPLIT 5/16", S.S.
62	565682	STOPPER
63	565736	GUIDE FOR BICARBONATE & CONCENTRATE HOSES
64	565834	REED SWITCH ASSEMBLY
65	M45806	RINSE PORT (BICARBONATE)
66	M47414	RINSE PORT (CONCENTRATE)

*ITEM NOT ILLUSTRATED.

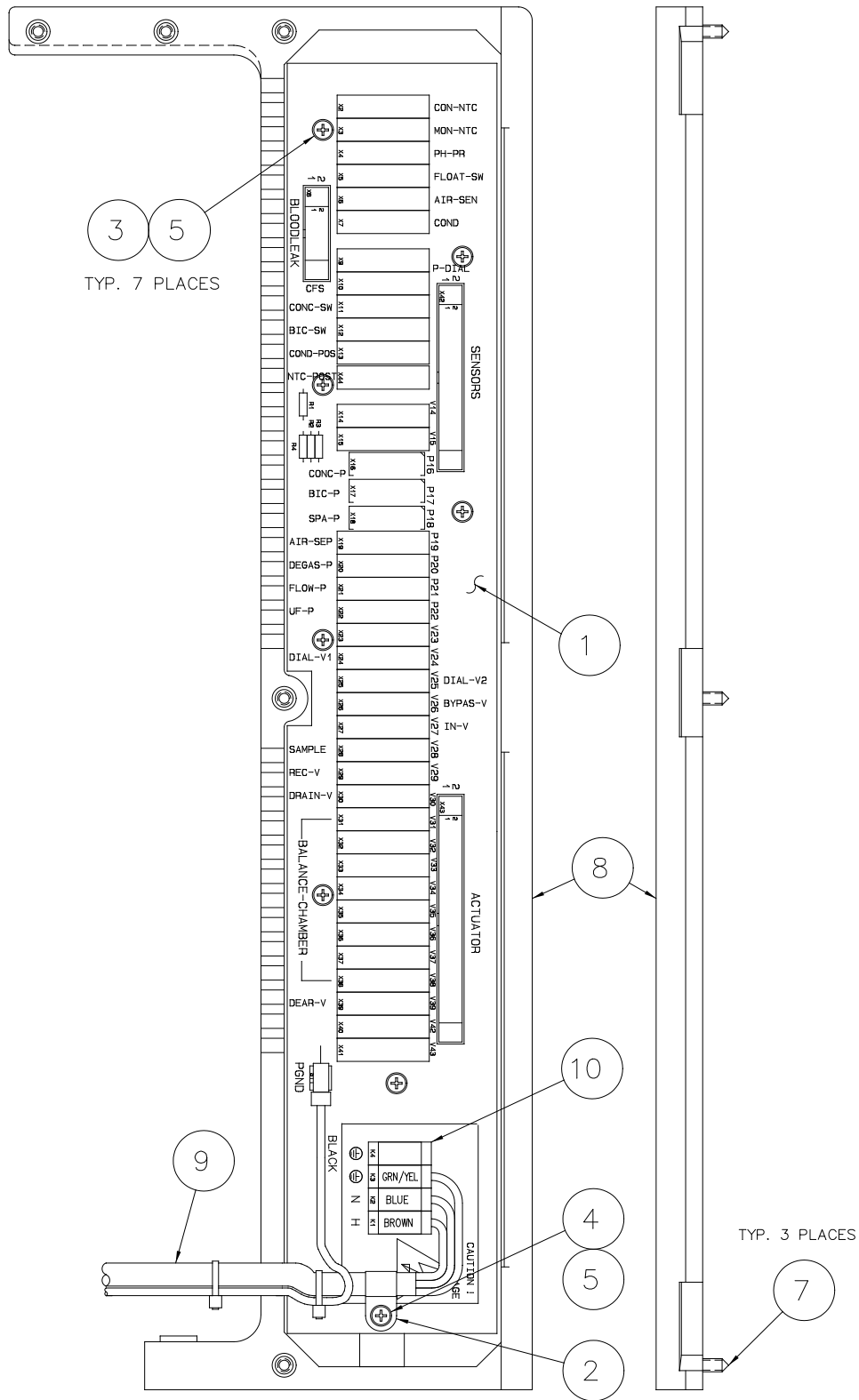


HYDRAULIC ASSY., REAR PANEL

7.3.1 HYDRAULICS REAR PANEL ASSEMBLY

SEQ.	PART NUMBER	DESCRIPTION
11	553621	NUT, HEX, M4 DIN 934ST
12	M46397	NUT, M4 SERRATED, ZINC PLATED
13	330606-03-01	WASHER, #8 SPLIT LOCK
24	552277	SCREW, M4X12 PNHD PHILLIPS, S.S.
67	290056	CLAMP PLATE
69	644213	COVER, WATER INLET ASSEMBLY
73	368025-01	WIRE, 16 AWG, GREEN/YELLOW 600V STR
74	552286	SCREW, M4X25, PH PHIL, S.S.
75	552452	SCREW, PHIL, FH, M5X12, S.S.
76	553622	NUT, M5, S.S.
77	553626	NUT, M10X1.5, S.S.
78	553719	LOCKWASHER, 5mm, S.S.
79	330606-05-01	WASHER, 1/4" SPLIT LOCK
80	553742	LOCKWASHER, SERRATED, A10.5, S.S.
81	558004	SCREW, KNURLED
82	565048	WATER INLET PRESSURE REGULATOR
82A	585018	BALL, 6MM, S.S.*
82B	641362	O-RING*
82C	563021	SPRING*
82D	643894	VALVE SCREW*
82E	190934	INLET PRESSURE REGULATOR REBUILD KIT *
83A	M46403	STANDOFF, M-F 7MM HEX, M4 X 30, ZINC PL*
		(NOTE: ITEMS 83A, 83B & 83 C ARE FOR RIVETTED HYDRAULICS)
83B	553733	WASHER LOCK TOOTH A4.3 SS*
83C	M46397	NUT, M4 SERRATED, ZINC PLATED*
84	565619	RETAINING STRAP
85	580756	STANDOFF, HEX, M5X25, S.S.
87	640012	WASHER, FLAT, 1" O.D.
90	F40007106	O-RING
91	330935-05-02	SCREW, PNHD PHIL, #6 X 5/16" TYP B
92	643794	SCREW, M5X35 FLAT HD PHIL, S.S.
93	644162	WATER INLET/DRAIN CONNECTOR PLATE
94	F40005071	BLOOD LEAK DETECTOR ASSEMBLY
94A	651859	GLASS TUBE (FOR ITEM 94)
94B	652559	GASKET, BLOOD LEAK DETECTOR*

*ITEM NOT ILLUSTRATED.

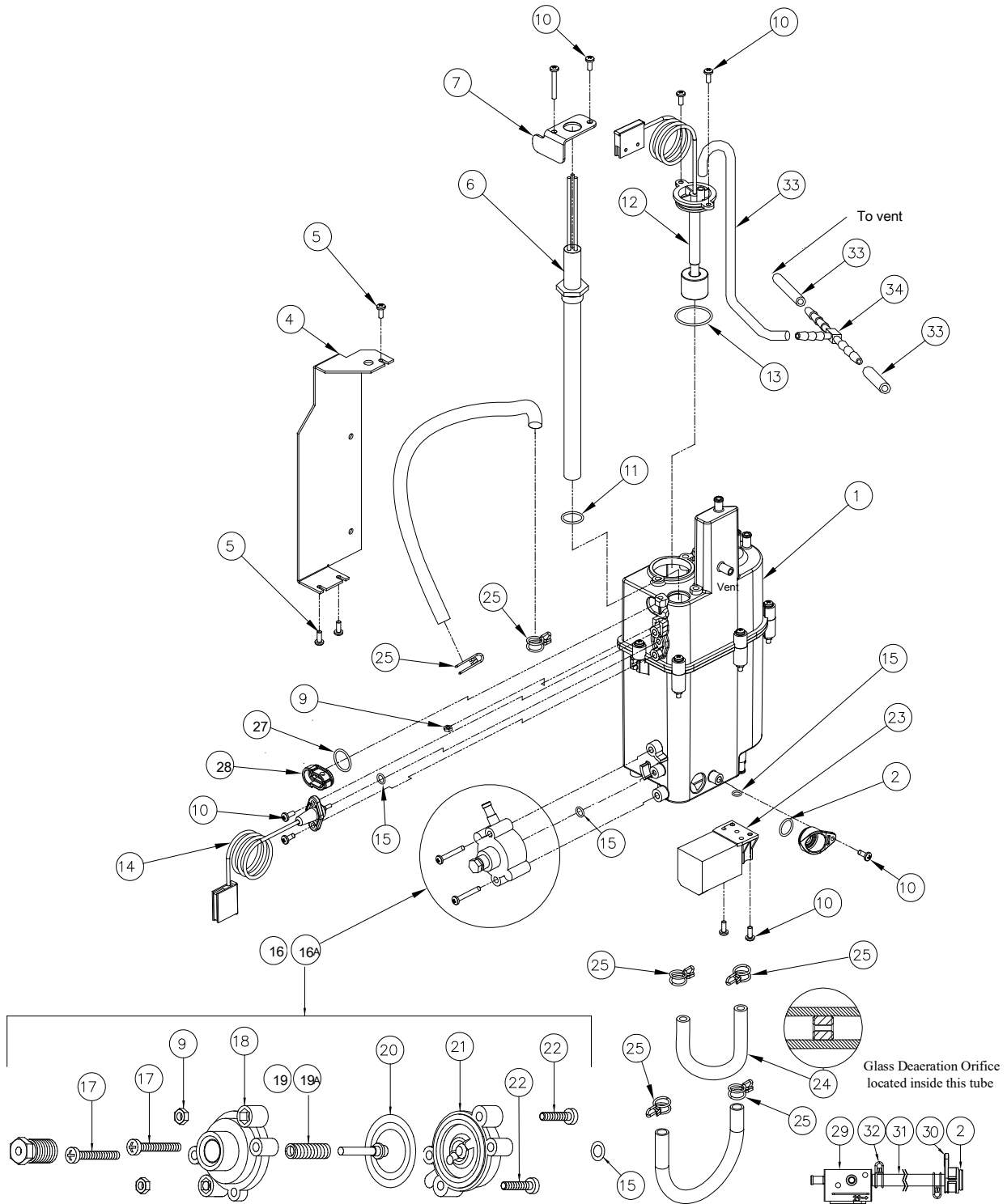


DISTRIBUTION BOX ASSY.

7.4.0 DISTRIBUTION BOX ASSEMBLY

SEQ.	PART NUMBER	DESCRIPTION
1	672769	LP706 DISTRIBUTION BOARD
2	537204	CABLE CLAMP #3, NYLON
3	552243	SCREW, PNHD PHIL, M3X6, S.S.
4	552245	SCREW, PNHD PHIL, M3X10, S.S.
5	330602-01-01	WASHER #4 PLAIN SS
7	642056	SCREW, DISTRIBUTION BOX COVER
8	M33583	DISTRIBUTION BOX WITH COVER, EMPTY NOTE: COVER NOT SOLD SEPARATELY
9	190013	HEATER CABLE
10	368013-01	TERMINAL BLOCK (4 EA.)
11	191011	AIR SEPARATOR ADAPTER BOARD KIT*

*ITEM NOT ILLUSTRATED.

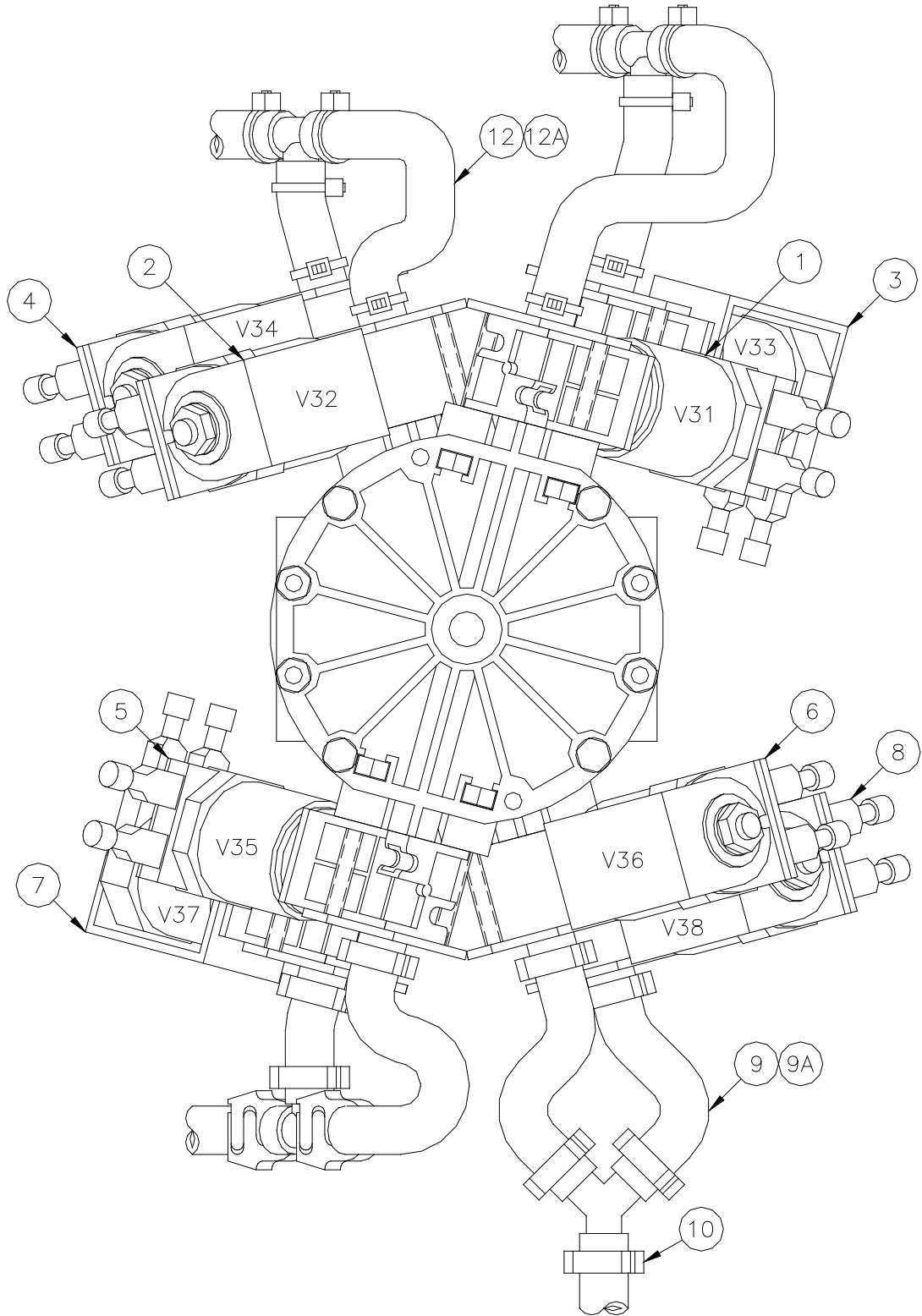


HYDROCHAMBER ASSEMBLY

NOTE: The hydrochamber complete (tested) (P/N: M33974) includes everything except the hydrochamber mounting bracket (P/N: M46428) and mounting screws (P/N: 644091). If replacing an older style hydroblock, these items must be ordered separately.

7.5.0 HYDROCHAMBER ASSEMBLY

SEQ.	PART NUMBER	DESCRIPTION
1	M33974	HYDROCHAMBER, MOLDED, COMPLETE ASSEMBLY (DOES NOT COME WITH RECIRCULATION PORT – ITEM 30)
1A	F40008702	HYDROCHAMBER COMPLETE (2008T BLUESTAR)
2	M34924	O-RING 15.60MM I.D. X 1.78MM WIDE
4	M46428	RETAINING PLATE FOR HEATER BLOCK (HYDROCHAMBER BRACKET)
5	644091	SCREW, M4X8 PH PHIL SS LOCK
6	250169	HEATER, 120V, UL W/FUSE
7	290229	BRACKET, HEATER
9	553621	NUT, HEX, M4 DIN 934ST
10	552276	SCREW, M4 X 10 PNHD PHIL SS
11	F40007103	O-RING
12	675094	FLOAT SWITCH (COMES WITH O-RING)
13	M34990	O-RING
14	M64584	THERMISTOR ASSEMBLY
15	F40007101	O-RING – NOT INCLUDED IN ITEM 16 OR 16A
16	647610	LOADING PRESSURE VALVE
16A	M50328	LOADING PRESSURE VALVE (FOR USE WITH DIASAFE PLUS FILTER)
17	552287	SCREW, PHL, PH, M4X30, SS
18	651517	PLATE, (USE WITH ITEM 21)
19	640330	SPRING, PRESSURE REGULATOR – USED IN ITEM 16
19A	642585	SPRING, FOR HIGH FLOW– USED IN 16A
20	641290	DIAPHRAGM AND ACTUATOR
21	651518	CONN. PLATE, (USE WITH ITEM 18)
22	552282	SCREW, PHILLIPS, M4X20
23	F40008718	VALVE 39
24	M51034	TUBING WITH GLASS ORIFICE
25	673013	BLACK WIRE TUBE CLAMP, 11.9MM ID
27	M34925	O-RING
28	M33969	PLUG SEAL OVERFLOW
29	290814	DUAL VALVE MANIFOLD
30	290815	RECIRCULATION PORT
31	F40019964	SILICONE TUBE, CLEAR, 5 X 3 MM, 50 METER ROLL
32	673132	SILVER WIRE TUBE CLAMP, 12.8MM ID
33	F50004817	SILICONE TUBE, CLEAR, 5 X 1.5 MM, ROLL – 50 METERS
34	M56225	T-CONNECTOR

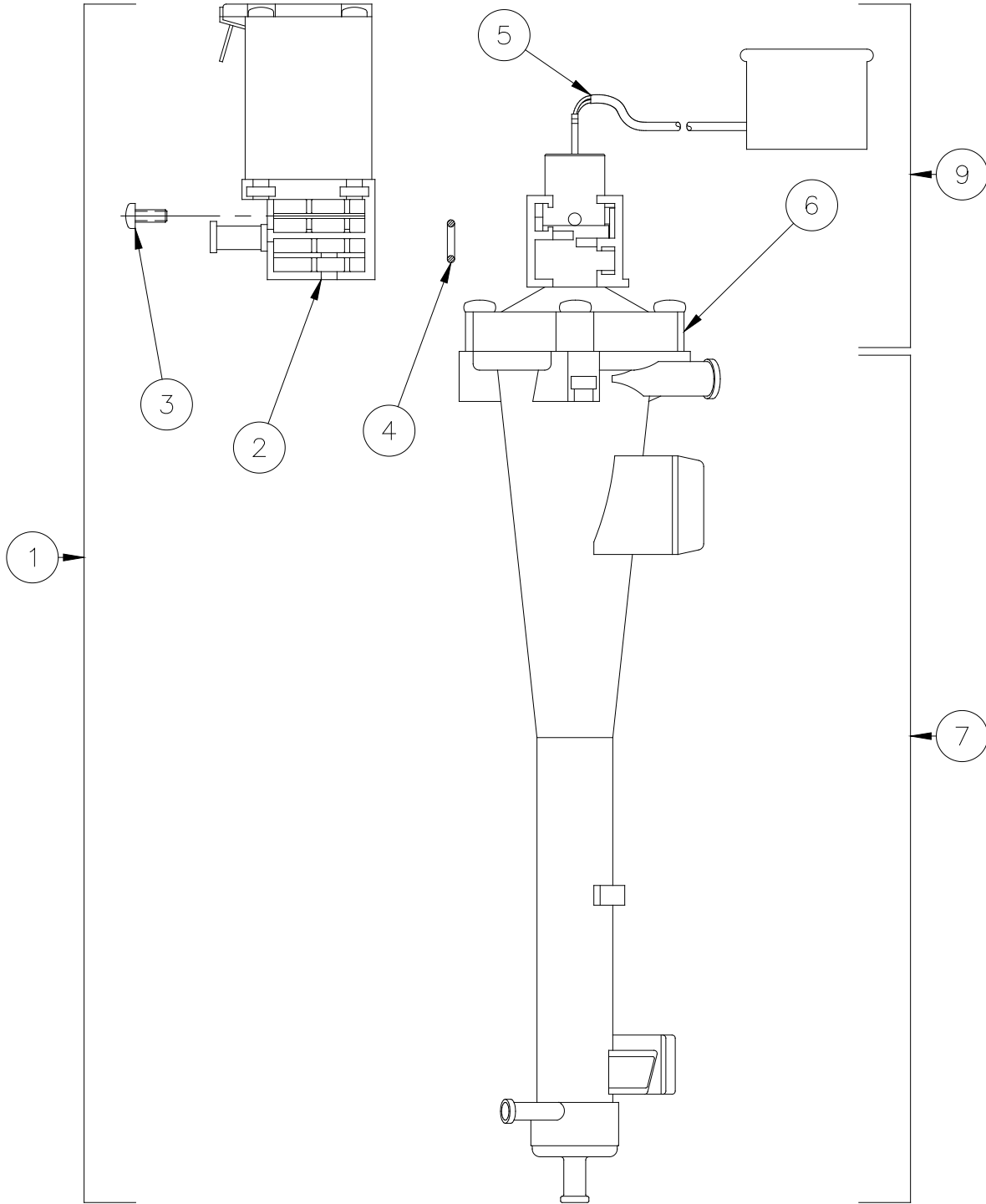


BALANCING CHAMBER

7.6.0 BALANCING CHAMBER ASSEMBLY

SEQ.	PART NUMBER	DESCRIPTION
	F40008706	BALANCING CHAMBER ASSEMBLY – WITH ALL 8 VALVES
	567651	BALANCING CHAMBER ASSEMBLY WITHOUT VALVES
1-4	F40008716	BALANCING CHAMBER VALVE
5-8	F40008718	BALANCING CHAMBER VALVE
9	F40019965	SIL. TUBE CLEAR, REINF 6.35X2.65MM, 50 METERS
9A	M430951	TUBING SILICON REINF. 6.35X2.65MM, 3 METERS
10	670574	HOSE CLAMP G-SNP4 10.3MM, BLACK
10A	673013	BLACK WIRE TUBE CLAMP, 11.9MM ID*
11	F40007101	O-RING (BETWEEN VALVES AND CHAMBER)*
12	F40019964	SILICONE TUBE, CLEAR, 5 X 3 MM, 50 METER ROLL
12A	M38208	TUBING, 5MM ID, 3MM WALL,SILICONE, 3 METERS
14	565157	BALANCING CHAMBER MEMBRANE (2 PER PKG)*
15	572595	SHOCK MOUNT FOR BALANCING CHAMBER*
16	M55508	SINGLE PORT VALVE (WITHOUT WIRING HARNESS)*
17	552282	SCREW, PHILLIPS, M4X20 –FOR VALVES*

*ITEM NOT ILLUSTRATED.

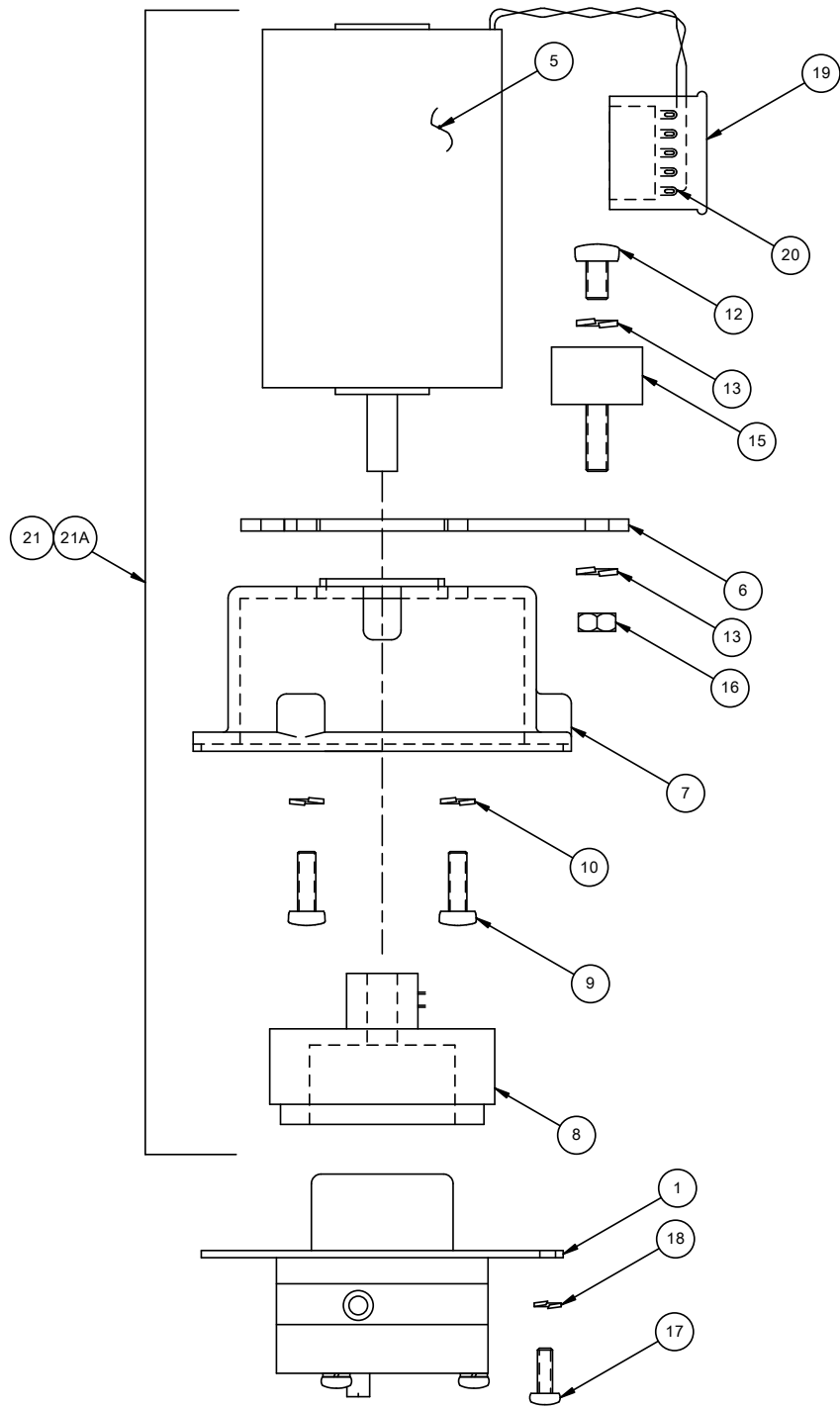


AIR SEPARATOR ASSY.

7.7.0 AIR SEPARATOR ASSEMBLY

SEQ.	PART NUMBER	DESCRIPTION
1	F40008694	AIR SEPARATOR, COMPLETE (2008T BLUESTAR) (CAN BE USED WITH ANY 2008 SERIES MACHINE)
2	F40008716	VALVE 43
3	552275	SCREW, M4X8 PAN HEAD PHIL S.S.
4	F40007101	O-RING
5	668033	CONDUCTIVITY CABLE, MODIFIED
6	651567	AIR SEPARATOR COVER
7	651735	AIR SEPARATOR BODY, BOTTOM
8	646835	O-RING (AIR SEPARATOR BODY TO COVER)*
9	F40008705	AIR SEPARATOR REBUILD KIT (CONTAINS ITEMS 2, 3, 4, 6, 8)
10	676106	AIR SEPARATOR COMPLETE WITHOUT ITEMS 2 & 5*
11	191011	AIR SEPARATOR ADAPTER BOARD KIT*

*ITEM NOT ILLUSTRATED.

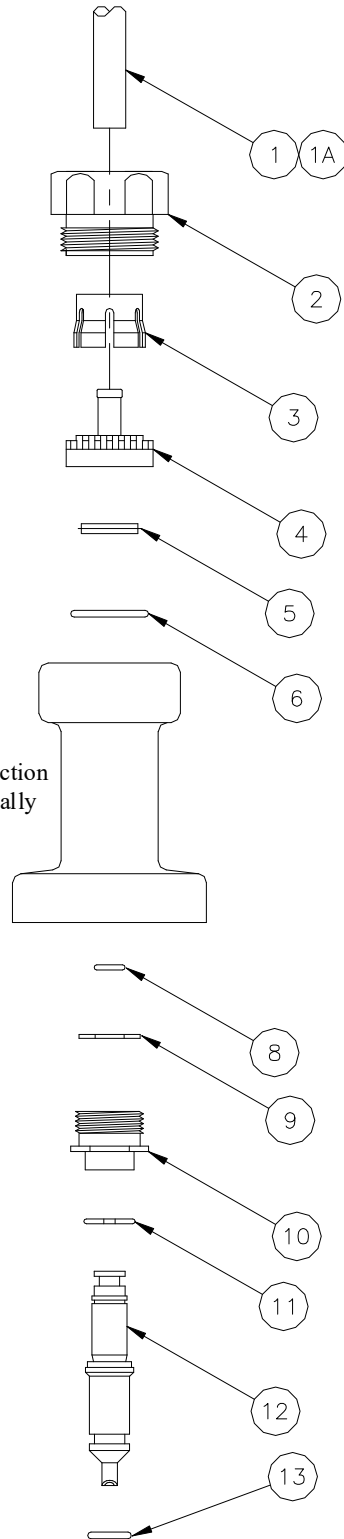


FLOW/DEAERATION PUMP ASSY.

7.8.0 FLOW/DEAERATION PUMP ASSEMBLY

SEQ.	PART NUMBER	DESCRIPTION
1	675142	GEAR PUMP HEAD ASSY – CAN BE USED FOR DEAERATION OR FLOW
1A	F40019666	DEAERATION PUMP HEAD
5	645752	DEAERATION PUMP MOTOR (USES HARD BRUSHES DOES NOT COME WITH PLUG CONNECTOR)
5A	M46513	HARD MOTOR BRUSH* (MARKED WITH '67' DESIGNATION)
5B	676982	SCREW, TORX HD, M5X0.8, 90MM LNG*
5C	565345	FLOW PUMP MOTOR (USES SOFT BRUSHES DOES NOT COME WITH PLUG CONNECTOR)
5D	M46514	SOFT MOTOR BRUSH* (MARKED WITH '68' DESIGNATION)
6	565283	MOTOR MOUNTING PLATE
7	565372	MOTOR FLANGE
8	672910	DRIVE MAGNET ASSEMBLY WITH SCREW AND NUT
9	552312	SCREW, M5 X 16 PNHD PHIL SS
10	553719	LOCKWASHER, 5mm, S.S.
12	552334	SCREW, PH PHIL M6X10 DIN 7985, S.S.
13	330606-05-01	WASHER, 1/4" SPLIT LOCK, S.S.
15	572597	VIBRATION ABSORBER (OLD STYLE)
16	553623	NUT, M6, S.S.
17	552275	SCREW, M4 X 8 PAN HEAD PHIL SS
18	330606-03-01	WASHER, #8 SPLIT LOCK
19	565327	5 PIN PLUG COVER
20	535078	5 PIN PLUG
21	641629	PUMP DRIVE ASSEMBLY, DEAERATION (LESS ITEMS 12, 13, 15 & 16)
21A	565342	PUMP DRIVE ASSEMBLY, FLOW (LESS ITEMS 12, 13, 15 & 16)

*ITEM NOT ILLUSTRATED.



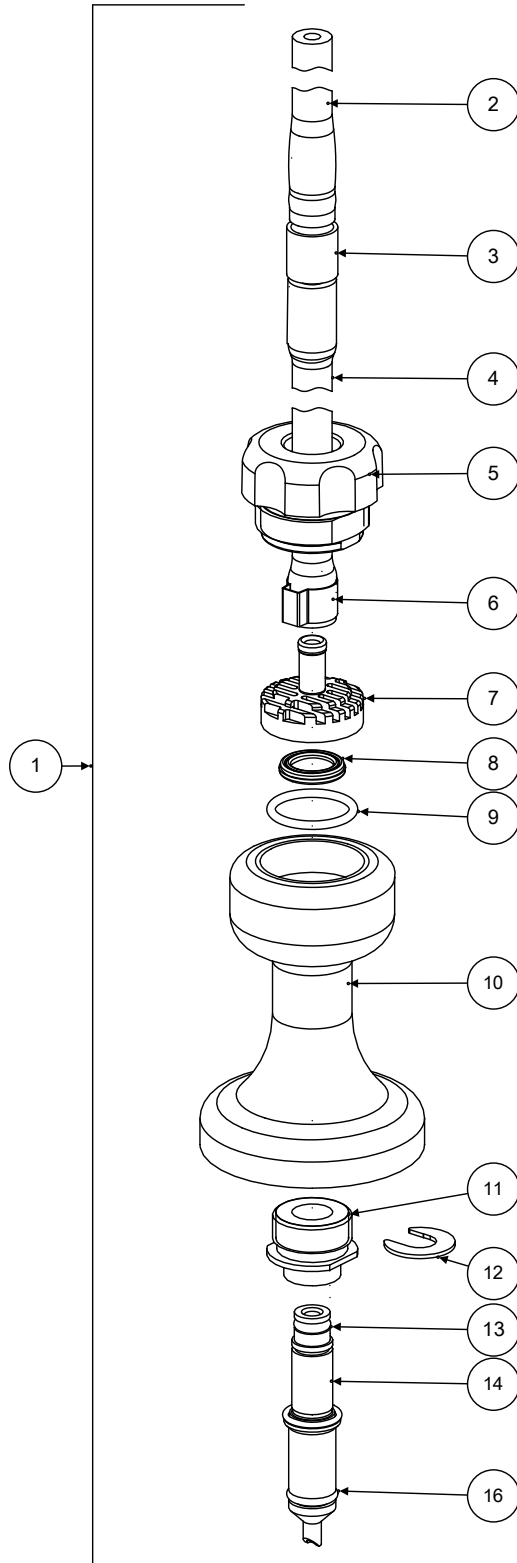
No longer available. Item 10 of section 7.9.1 can be substituted. Cosmetically different, functionally the same.

**CONCENTRATE (ACID) CONNECTOR
ASSEMBLY**

7.9.0 CONCENTRATE (ACID) CONNECTOR

SEQ.	PART NUMBER	DESCRIPTION
1	F50004813	SILICONE TUBE, CLEAR, 3 X 2 MM, ROLL – 100 METERS
1A	M38205	TUBING,3MM ID,2MM WALL, 3 METERS
2	M46093	RED NUT
3	670820	TUBING CLAMP
4	670168	FITTING
5	566307	FILTER INSERT
6	579092	O-RING
8	F40007100	O-RING
9	646112	CIRCLIP, 6mm
10	640621	THREADED PIECE
11	647565	SNAP RING
12	641143	ADAPTER PLUG, CONCENTRATE
13	F40007107	O-RING
	640614	CONCENTRATE CONNECTOR, COMPLETE (WHITE TUBING)
	645699	CONCENTRATE CONNECTOR, COMPLETE (CLEAR TUBING)
	675724	ITEMS 10 & 12 AS ONE MACHINED PIECE & ITEMS 8, 11 & 13.*

*ITEM NOT ILLUSTRATED.

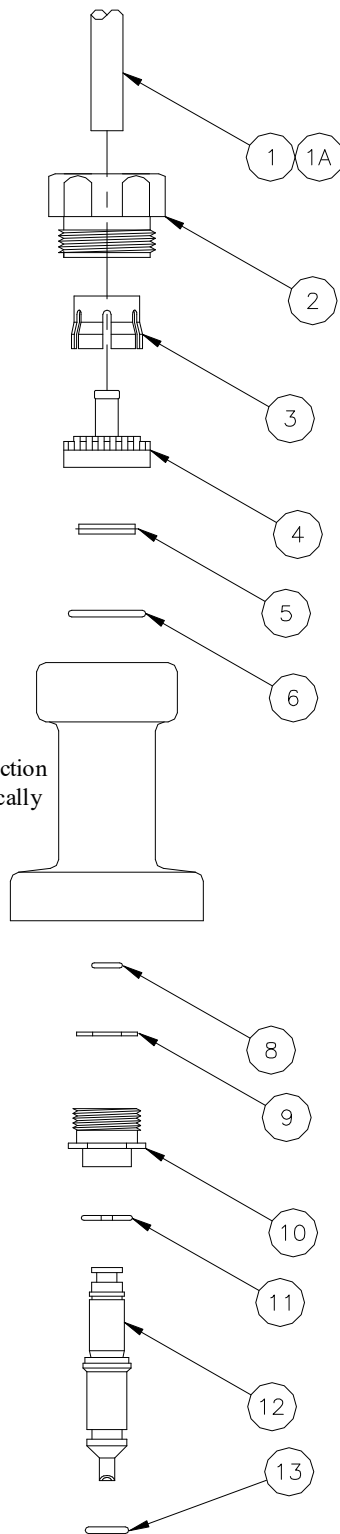


CONCENTRATE (ACID) CONNECTOR ASSEMBLY – NEW STYLE

7.9.1 CONCENTRATE (ACID) CONNECTOR ASSEMBLY – NEW STYLE

SEQ.	PART NUMBER	DESCRIPTION
1	F40009108	CONNECTOR CONCENTRATE ASSEMBLY, RED
2	F50004813	SILICONE TUBE, CLEAR, 3 X 2 MM, ROLL – 100 METERS
3	670911	CONNECTOR, BARBED, 4MM X 35MM
4	F50004813	SILICONE TUBE, CLEAR, 3 X 2 MM, ROLL – 100 METERS
5	M46093	SCREW, RED
6	647810	CLAMP, OETIKER 8.0 RER
7	670168	FITTING, SPOUT ADAPTER, BIC/CONC CONNECT
8	566307	FILTER SCREEN
9	579092	O-RING
10	M46097	RED HANDLE WITH MAGNET
11	640621	PLUG, THREAD, COLLET, CONC/BIC
12	646112	CIRCLIP, 6MM, FLAT, 12.5MM OD, 0.7MM, SS
13	F40007100	O-RING
14	641143	PLUG, ADAPTER, CONCENTRATE CONNECTOR
16	F40007107	O-RING

No longer available. Item 10 of section 7.10.1 can be substituted. Cosmetically different, functionally the same.

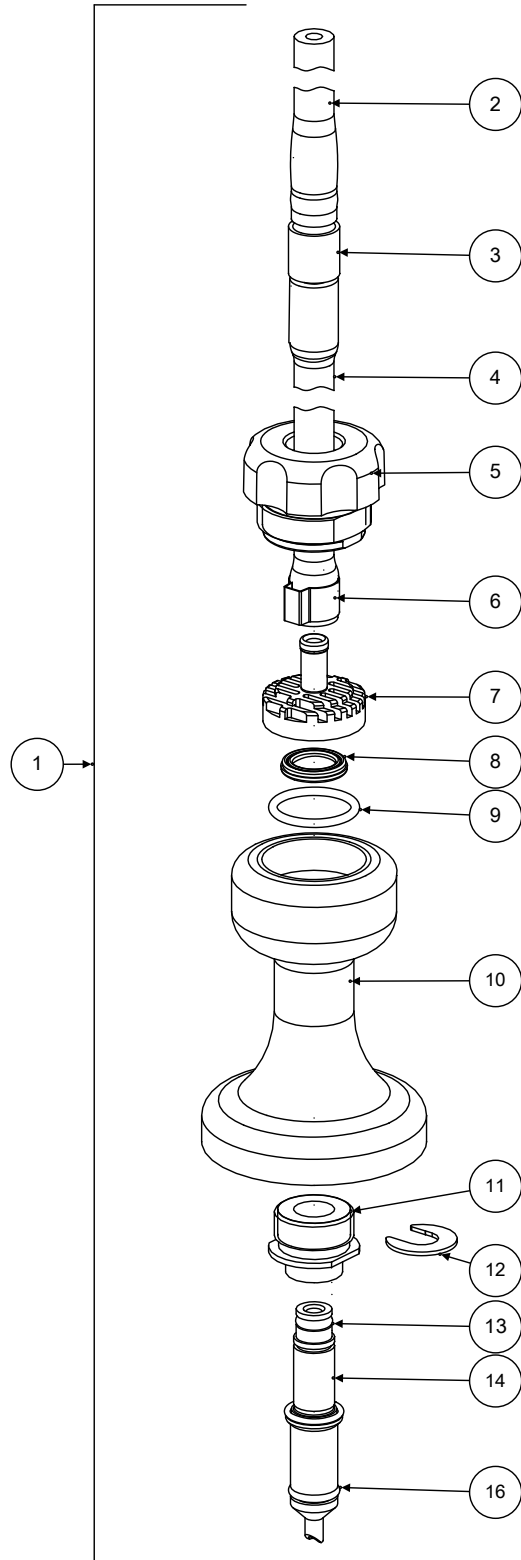


BICARBONATE CONNECTOR ASSEMBLY

7.10.0 BICARBONATE CONNECTOR

SEQ.	PART NUMBER	DESCRIPTION
1	F50004813	SILICONE TUBE, CLEAR, 3 X 2 MM, ROLL – 100 METERS
1A	M38205	TUBING,3MM ID,2MM WALL, 3 METERS
2	640613	BLUE NUT
3	670820	TUBING CLAMP
4	670168	FITTING
5	566307	FILTER INSERT
6	579092	O-RING
8	F40007100	O-RING
9	646112	CIRCLIP, 6mm
10	640621	THREADED PIECE
11	647565	SNAP RING
12	640620	ADAPTER PLUG, BICARBONATE
13	F40007101	O-RING
	640615	BICARBONATE CONNECTOR, COMPLETE. (BLUE TUBING)
	645698	BICARBONATE CONNECTOR, COMPLETE, (CLEAR TUBING)
	675723	ITEMS 10 & 12 AS ONE MACHINED PIECE & ITEMS 8, 11 & 13.*

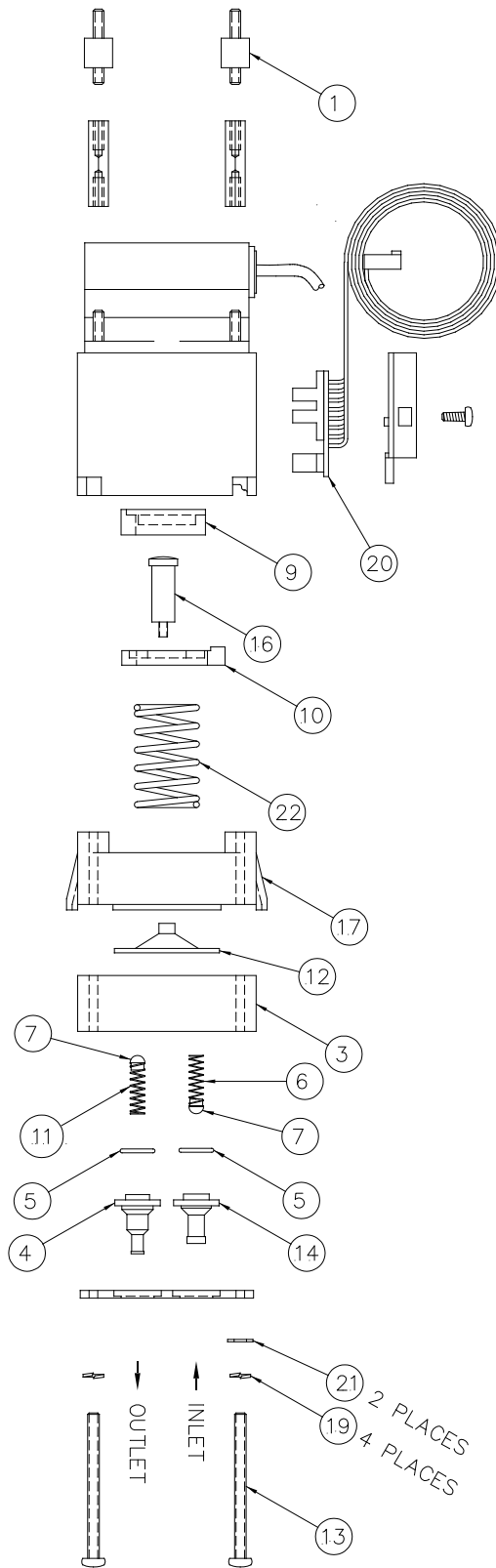
*ITEM NOT ILLUSTRATED.



BICARBONATE CONNECTOR ASSEMBLY – NEW STYLE

7.10.1 BICARBONATE CONNECTOR ASSEMBLY – NEW STYLE

SEQ.	PART NUMBER	DESCRIPTION
1	F40009110	CONNECTOR BICARBONATE, W/TUBE & FITTING
2	F50004813	SILICONE TUBE, CLEAR, 3 X 2 MM, ROLL – 100 METERS
3	670911	CONNECTOR, BARBED, 4MM X 35MM
4	F50004813	SILICONE TUBE, CLEAR, 3 X 2 MM, ROLL – 100 METERS
5	M46092	SCREW, BLUE
6	647810	CLAMP, OETIKER 8.0 RER
7	670168	FITTING, SPOUT ADAPTER, BIC/CONC CONNECT
8	566307	FILTER SCREEN
9	579092	O-RING
10	M46096	BLUE HANDLE WITH MAGNET
11	640621	PLUG, THREAD, COLLET, CONC/BIC
12	646112	CIRCLIP, 6MM, FLAT, 12.5MM OD, 0.7MM, SS
13	F40007100	O-RING
14	640620	PLUG, BICARBONATE
16	F40007101	O-RING



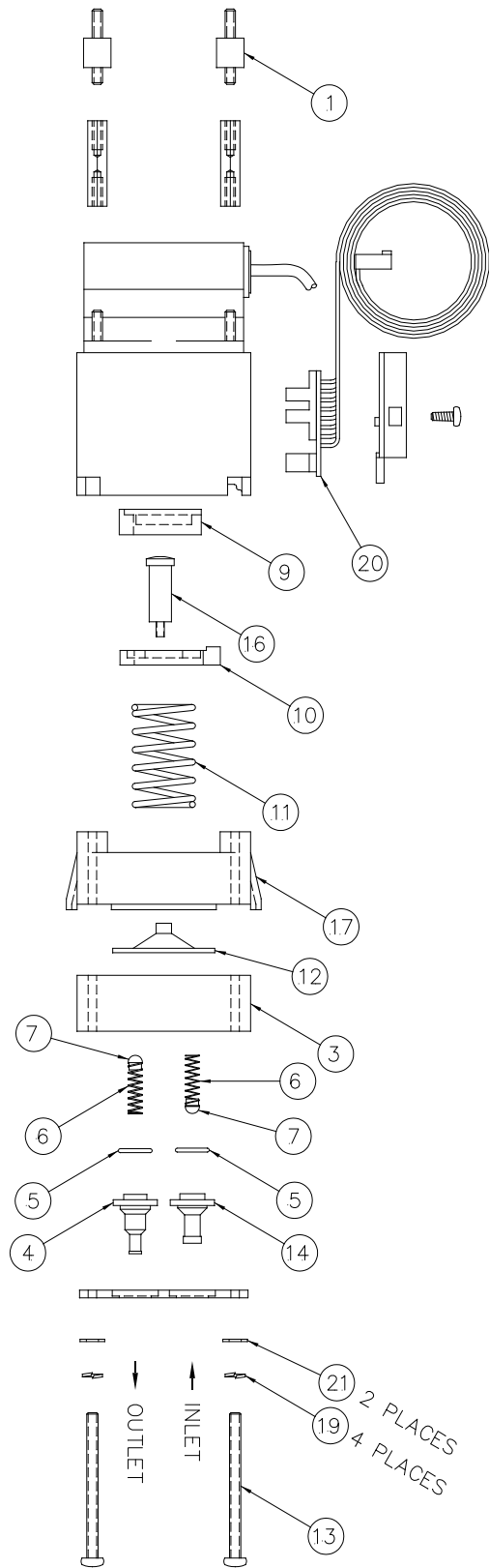
CONCENTRATE PUMP ASSY.

7.11.0 CONCENTRATE PUMP ASSEMBLY

SEQ.	PART NUMBER	DESCRIPTION
	M304441	CONCENTRATE PUMP ASSEMBLY – OLC ONLY (2 WEAK SPRINGS)
	F40007128	ACID/BICARBONATE PUMP COMPLETE WITH 2008T BLUESTAR PREMIUM EXTENDED LIFE COMPONENTS
1	673360	SHOCK MOUNT, M4X6, M4X10
3	M45571	PUMP HOUSING
4	670770	OUTLET FITTING, 1 PIECE (NO SPACER REQ'D)
5	F40007099	O-RING
6	565278	SPRING, INLET (WEAKER)
7	565279	SEAL
9	675837	PRESSURE PLATE
10	672031	PUSH PLATE
11	565278	SPRING, OUTLET (WEAKER – WITH OLC)
12	565650	DIAPHRAGM
13	642978	SCREW, PNHD PHIL, M4X55, S.S.
14	670170	INLET FITTING, MOLDED
16	670358	DIAPHRAGM SHAFT
17	M53411	DIAPHRAGM PUMP HOUSING WITH BUSHING
19	330606-03-01	WASHER, #8 SPLIT LOCK
20	671003	LP645 CIRCUIT BOARD WITH CABLE
21	553693	WASHER, A4.3, DIN 125 SS
22	650708	PRESSURE SPRING
23	674074	VALVE SPRING SET, ACID & BICARBONATE PUMP 2008T BLUESTAR PREMIUM EXTENDED LIFE COMPONENTS: 2 PORTS, 2 SEAL/SPRING ASSEMBLIES AND 2 O-RINGS

*ITEM NOT ILLUSTRATED.

NOTE: IF AN ITEM IS ILLUSTRATED, BUT DOES NOT HAVE A NUMBERED CIRCLE WITH AN ARROW POINTING TO IT, THEN IT'S NOT AVAILABLE AS A SPARE PART.



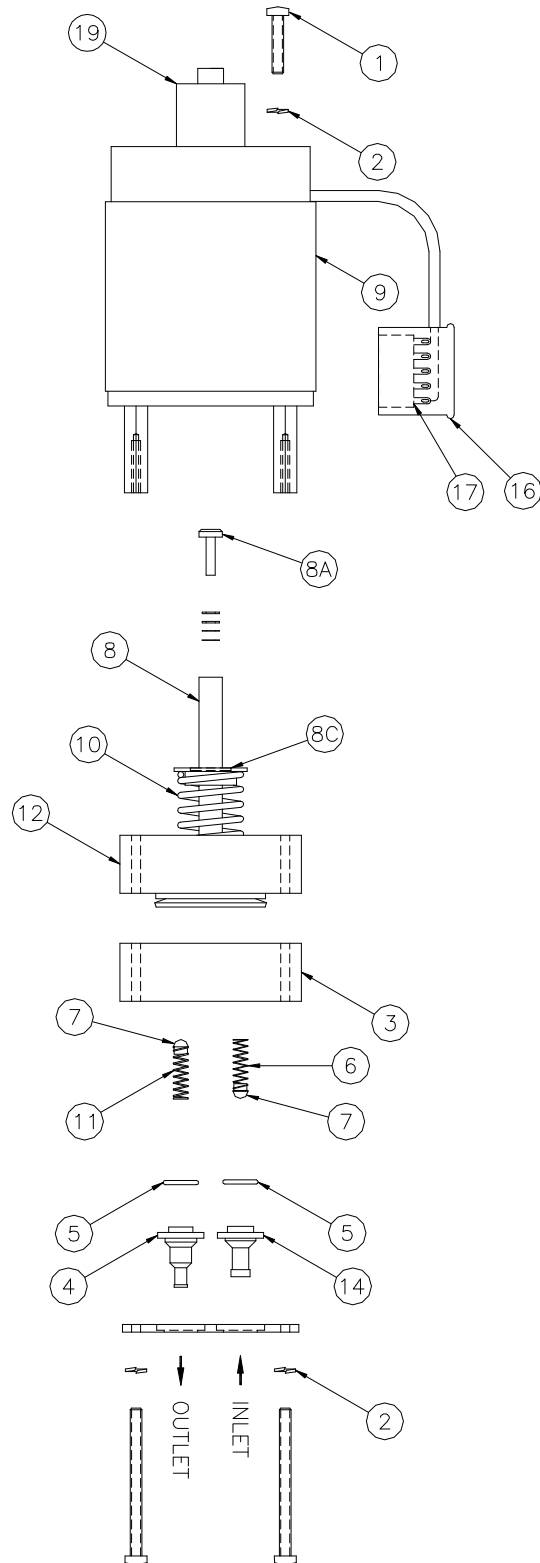
BICARBONATE PUMP ASSY.

7.12.0 BICARBONATE PUMP ASSEMBLY

SEQ.	PART NUMBER	DESCRIPTION
	672429	BICARB PUMP ASSEMBLY
	F40007128	ACID/BICARBONATE PUMP COMPLETE WITH 2008T BLUESTAR PREMIUM EXTENDED LIFE COMPONENTS
1	673360	SHOCK MOUNT, M4X6, M4X10
3	M45571	PUMP HOUSING
4	670771	OUTLET FITTING, 1 PIECE (NO SPACER REQ'D)
5	F40007099	O-RING
6	565278	SPRING, (WEAKER)
7	565279	SEAL
9	675837	PRESSURE PLATE
10	672031	PUSH PLATE
11	650708	PRESSURE SPRING
12	565650	DIAPHRAGM
13	642978	SCREW, PNHD PHIL, M4X55, S.S.F
14	670170	INLET FITTING, MOLDED
16	670358	DIAPHRAGM SHAFT
17	M53411	DIAPHRAGM PUMP HOUSING WITH BUSHING
19	330606-03-01	WASHER, #8 SPLIT LOCK
20	671003	LP645 CIRCUIT BOARD WITH CABLE
21	553693	WASHER, A4.3, DIN 125 SS
22	674074	VALVE SPRING SET, ACID & BICARBONATE PUMP 2008T BLUESTAR PREMIUM EXTENDED LIFE COMPONENTS: 2 PORTS, 2 SEAL/SPRING ASSEMBLIES AND 2 O-RINGS

*ITEM NOT ILLUSTRATED.

NOTE: IF AN ITEM IS ILLUSTRATED, BUT DOES NOT HAVE A NUMBERED CIRCLE WITH AN ARROW POINTING TO IT, THEN IT'S NOT AVAILABLE AS A SPARE PART.

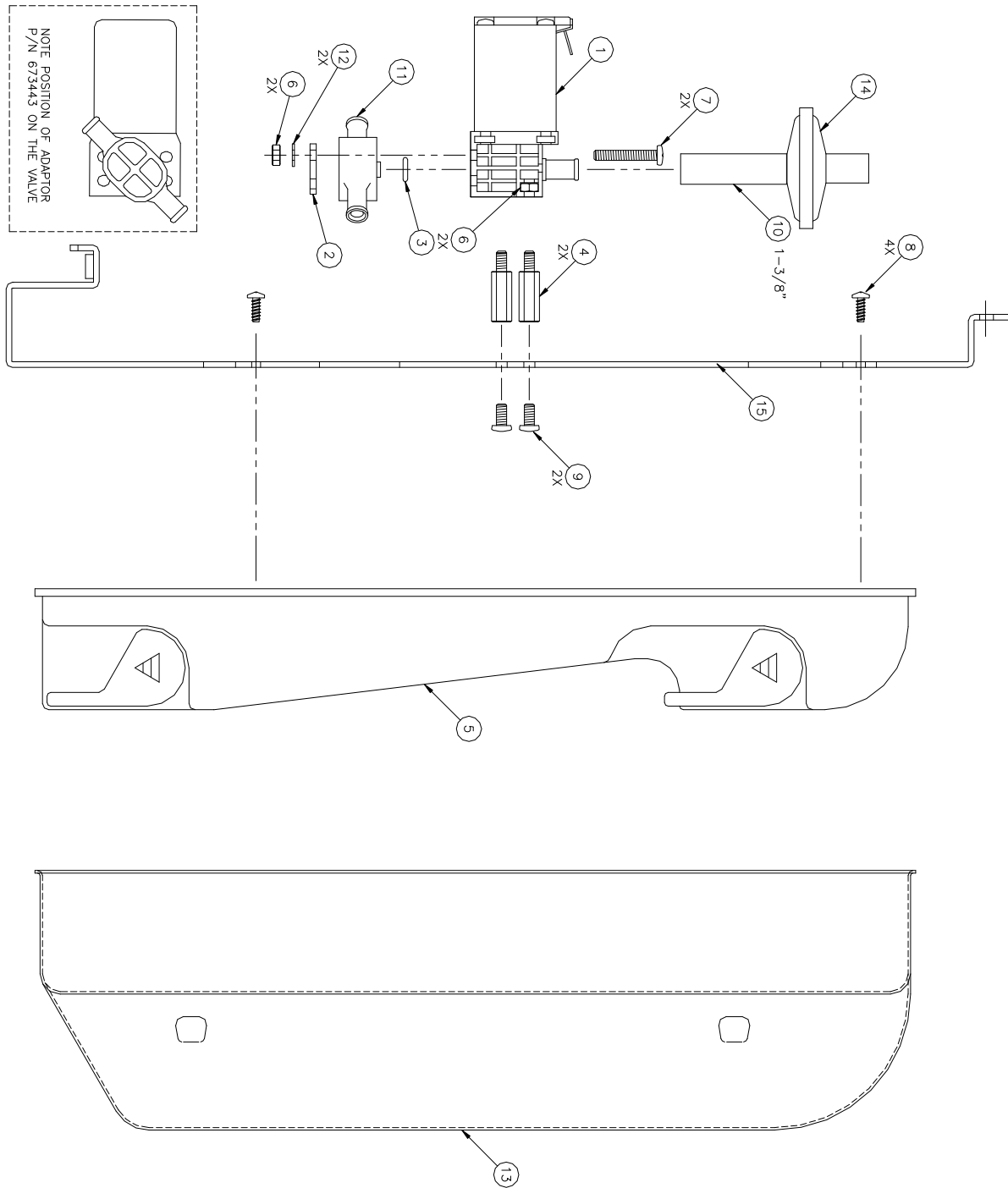


ULTRAFILTRATION PUMP ASSY.

7.13.0 ULTRAFILTRATION PUMP ASSEMBLY

SEQ.	PART NUMBER	DESCRIPTION
	565806	ULTRAFILTRATION PUMP ASSEMBLY
	F40007129	UF PUMP COMPLETE, 2008T BLUESTAR WITH 2008T BLUESTAR PREMIUM EXTENDED LIFE COMPONENTS
1	552282	SCREW, PNHD PHIL, M4X20, S.S.
2	330606-03-01	WASHER, #8 SPLIT LOCK
3	M45571	PUMP HOUSING
4	670770	OUTLET FITTING, 1 PIECE (NO SPACER REQ'D)
5	F40007099	O-RING
6	565278	SPRING, INLET (WEAKER)
7	565279	SEAL
8	567418	DIAPHRAGM AND PISTON ROD
8A	565219	WEAR BUTTON
8C	563157	RETAINING CLIP
9	645593	SOLENOID (INCLUDES ITEMS 16 & 17)
10	563026	SPRING, DIAPHRAGM PUMP PISTON
11	563025	SPRING, OUTLET (STRONGER)
12	675609	PUMP HOUSING
12A	564296	PUMP HOUSING BUSHING (INCLUDED IN ITEM 12)*
14	670169	FITTING, UF PUMP INLET
16	565327	5 PIN PLUG COVER
17	535078	5 PIN PLUG
18	150570	CHECK VALVE (15LB. SPRING – FOR UF PUMP OUTLET)*
19	642375	CAP, UF PUMP ADJUSTMENT COVER
20	673945	VALVE SPRING SET, UF PUMP* 2008T BLUESTAR PREMIUM EXTENDED LIFE COMPONENTS: 2 PORTS, 2 SEAL/SPRING ASSEMBLIES AND 2 O-RINGS

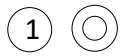
*ITEM NOT ILLUSTRATED.



7.14.0 DIASAFE PLUS FILTER ASSEMBLY

SEQ.	PART NUMBER	DESCRIPTION
	190325	DIASAFE PLUS KIT, COMPLETE
	F40008703	DIASAFE PLUS ASSEMBLY (2008T BLUESTAR), COMPLETE
1	M55508	VALVE, MTS, UNHARNESSED
2	565434	VALVE HOLD DOWN PLATE
3	F40007101	O-RING
4	580747	STANDOFF, 7MM HEX, M-F, M4 X 20
5	676715	FILTER HOLDER, DIASAFE PLUS
6	553621	NUT, HEX, M4 DIN 934ST
7	552286	SCREW, M4X25 PH PHIL DIN 7985
8	330935-05-03	SCREW #6X3/8" SELF TAPPING
9	644091	SCREW, M4X8 PH PHIL SS LOCK
10	M38208	TUBING, 5MM ID, 3MM WALL,SILICONE, 3 METERS
11	673443	ADAPTER, VALVE PORT
12	553693	WASHER, A4.3, DIN 125 SS
13	M30576	COVER, FILTER HOLDER, DIASAFE PLUS
14	F40015809	FILTER, DIASAFE KIT NOTE: BLUE SIDE DOWN - TOWARD VALVE
15	290212	BRACKET, DIASAFE PLUS
16	643396	CABLE CONNECTOR, SOLENOID VALVE (USED WITH ITEM 1)*
17	190365	DIASAFE PLUS INSTALLATION KIT*
19	5008203	DIASAFE PLUS FILTERS, CASE (QTY-10)*

*ITEM NOT ILLUSTRATED.



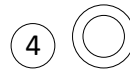
641362*
3.5 mm I.D.
1.5 mm WALL



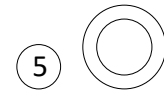
F 40007100*
3.5 mm I.D.
1.5 mm WALL



F 40007107
4.47 mm I.D.
1.78 mm WALL



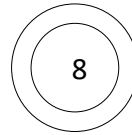
F 40007101
6 mm I.D.
1.5 mm WALL



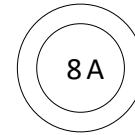
F 40007106
8 mm I.D.
2 mm WALL



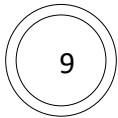
F 40007099
9 mm I.D.
1.5 mm WALL



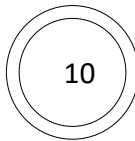
579097
12.5 mm I.D.
2.75 mm WALL



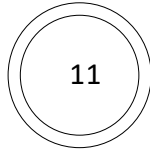
M42674
12.37 mm I.D.
2.62 mm WALL



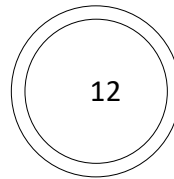
579092
13 mm I.D.
1.5 mm WALL



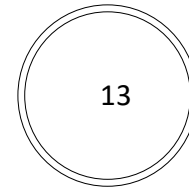
M 34924
15.6 mm I.D.
1.78 mm WALL



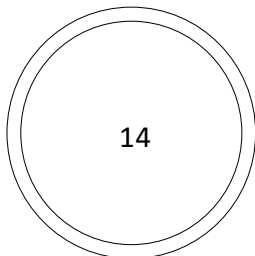
F 40007103
17.17 mm I.D.
1.78 mm WALL



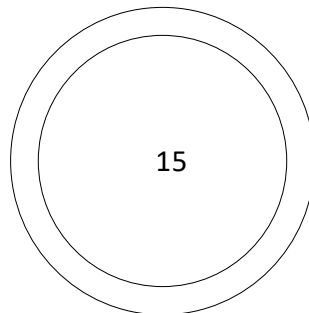
M 34925
20.35 mm I.D.
1.78 mm WALL



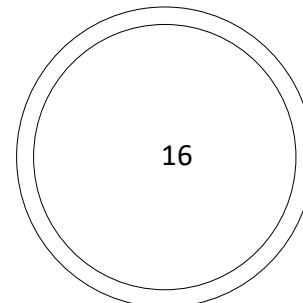
579066
24 mm I.D.
1 mm WALL



M 34990
32 mm I.D.
2 mm WALL



F 40007105
36 mm I.D.
4 mm WALL



646835
38 mm I.D.
2.5 mm WALL

* Items 1 & 2 have the same dimensions but not the same durometer (hardness).

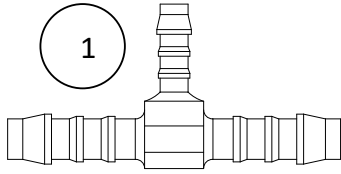
NOTE: Not to scale

O-RINGS

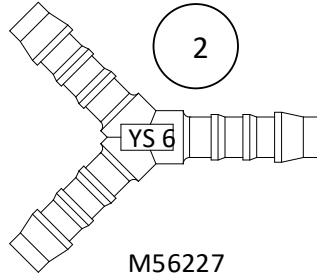
7.15.0 O-RINGS

SEQ	PART NUMBER	DESCRIPTION OR WHERE USED
1	641362	INLET PRESSURE REGULATOR
2	F40007100	INSIDE ACID SPIKE INSIDE BICARB SPIKE
3	F40007107	ACID SPIKE TIP DISINFECTION SPIKE TIP
4	F40007101	BICARB SPIKE TIP (WAS 579072) TEMPERATURE SENSOR ON HYDROCHAMBER & COND. CELL BETWEEN LOADING PRESSURE REGULATOR & HYDROCHAMBER BETWEEN VALVE 39 & HYDROCHAMBER BALANCING CHAMBER VALVES UNDER VALVE 24 OR VALVE 26 (SINGLE PORT) UNDER VALVE 41 OR VALVE 27 BETWEEN VALVE 43 AND AIR SEPARATOR
5	F40007106	BETWEEN MOUNTING: INLET TUBE AND PRESSURE REGULATOR BIBAG CONNECTOR (WAS 640919)
6	F40007099	UNDER INLET, OUTLET PORTS OF ACID/BICARB/UF PUMPS (WAS 579058) FILTER ASSEMBLY UF PUMP
8	579097	DIALYSATE QUICK CONNECTORS, SILICONE (2008K Series)
8A	M42674	DIALYSATE QUICK CONNECTORS, SILICONE (2008T)
9	579092	ACID SPIKE FILTER O-RING BICARB SPIKE FILTER O-RING
10	M34924	HYDROCHAMBER
11	F40007103	HEATER BAR (WAS 579075)
12	M34925	HYDROCHAMBER
13	579066	IV POLE
14	M34990	FLOAT SWITCH (WAS 579076)
15	F40007105	DIALYSATE LINE FILTER HOUSING (WAS 640123)
16	646835	AIR SEPARATOR BODY TO COVER
17	F50007225	BICARB MIXING CHAMBER*

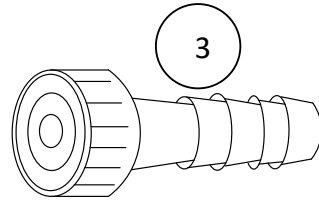
*ITEM NOT ILLUSTRATED.



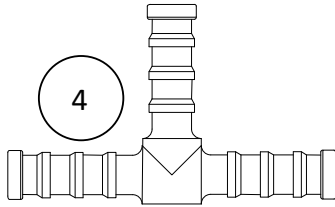
M56226
7 X 4 X 7mm T



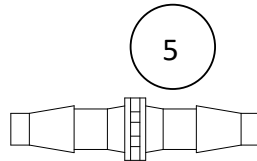
M56227
6- 7mm Y



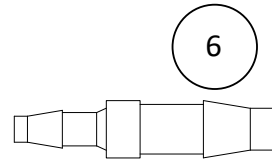
332024-02
HOSE CONNECTOR
WITH SEAL



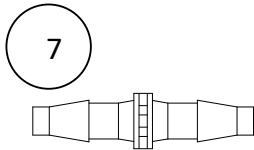
M56225
7 mm T



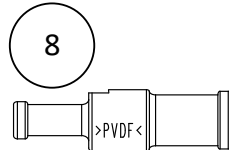
332141-01
3/16 X 3/16



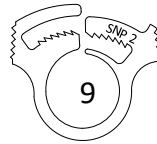
332145-01
3/16 X 1/4



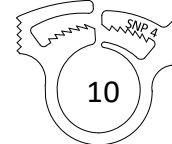
670911
4mm x 4mm



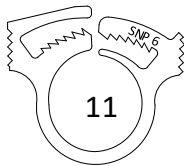
F40017688
1/4 x 3/16



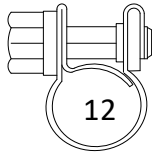
336015-03
SNP-G2



670574
SNP-G4



670780
SNP-G6



M42892



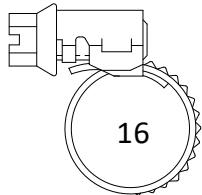
641640
6.6mm I.D.



572727
8.7mm I.D.



642428



338016-01
7/32" X 5/8"



17

Wire Clamps

- 673013- Black 11.9mm ID
- 673132- Silver 12.8mm ID
- M05717- Black 14.0mm ID

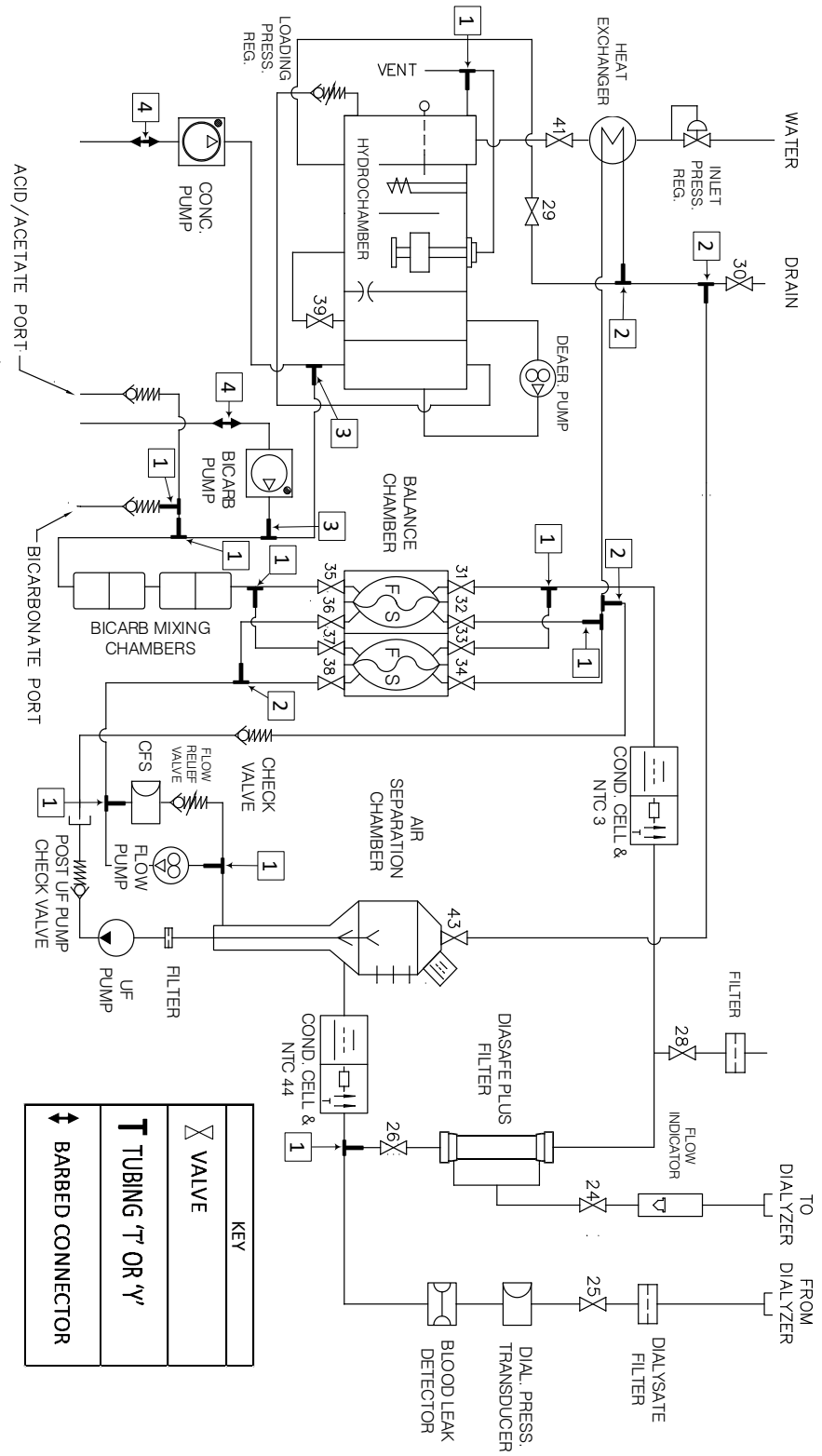
Note: Not to Scale

CLAMPS AND FITTINGS

7.16.0 CLAMPS AND FITTINGS

SEQ	PART NUMBER	DESCRIPTION
1	M56226	TEE FITTING, 7X4X7mm PVDF
2	M56227	"Y" FITTING, 6-7mm, PLASTIC
3	332024-02	HOSE CONNECTOR WITH SEAL
3A	330637-01	WASHER G.H.T. WHITE (SEAL)*
3B	330636-02	FILTER SCREEN WASHER, 149 MICRON, SS*
4	M56225	TEE FITTING, 6 mm, PLASTIC
5	332141-01	CONNECTOR BARB, 3/16" X 3/16"
6	332145-01	FITTING, REDUCING BARB, 3/16" X 1/4"
7	670911	CONNECTOR BARB 4mm X 4mm
8	F4001768	REDUCER, FITTING PVDF – SEE SECTION 9.5.0
9	336015-03	BLACK HOSE CLAMP SNP-G2
10	670574	BLACK HOSE CLAMP SNP-G4
11	670780	BLACK HOSE CLAMP SNP-G6
12	M42892	DIALYSATE LINE CLAMP – 2008T
13	641640	BAND CLAMP, 6.6mm I.D., S.S. (LUER TUBING CLAMP – BLD. PMP & LD MODULE)
14	572727	BAND CLAMP 8.7mm I.D., S.S (CONC,UF PUMP & SHUNT ASSEMBLY TUBING)
15	642428	CLAMP, 1 EAR, HOSE, 11.1-13.1 MM,SS
16	338016-01	HOSE CLAMP, 7/32" X 5/8" S.S.
17A	673013	BLACK WIRE TUBE CLAMP, 11.9MM ID
17B	673132	SILVER WIRE TUBE CLAMP, 12.8MM ID
17C	M05717	BLACK WIRE TUBE CLAMP, 14MM ID

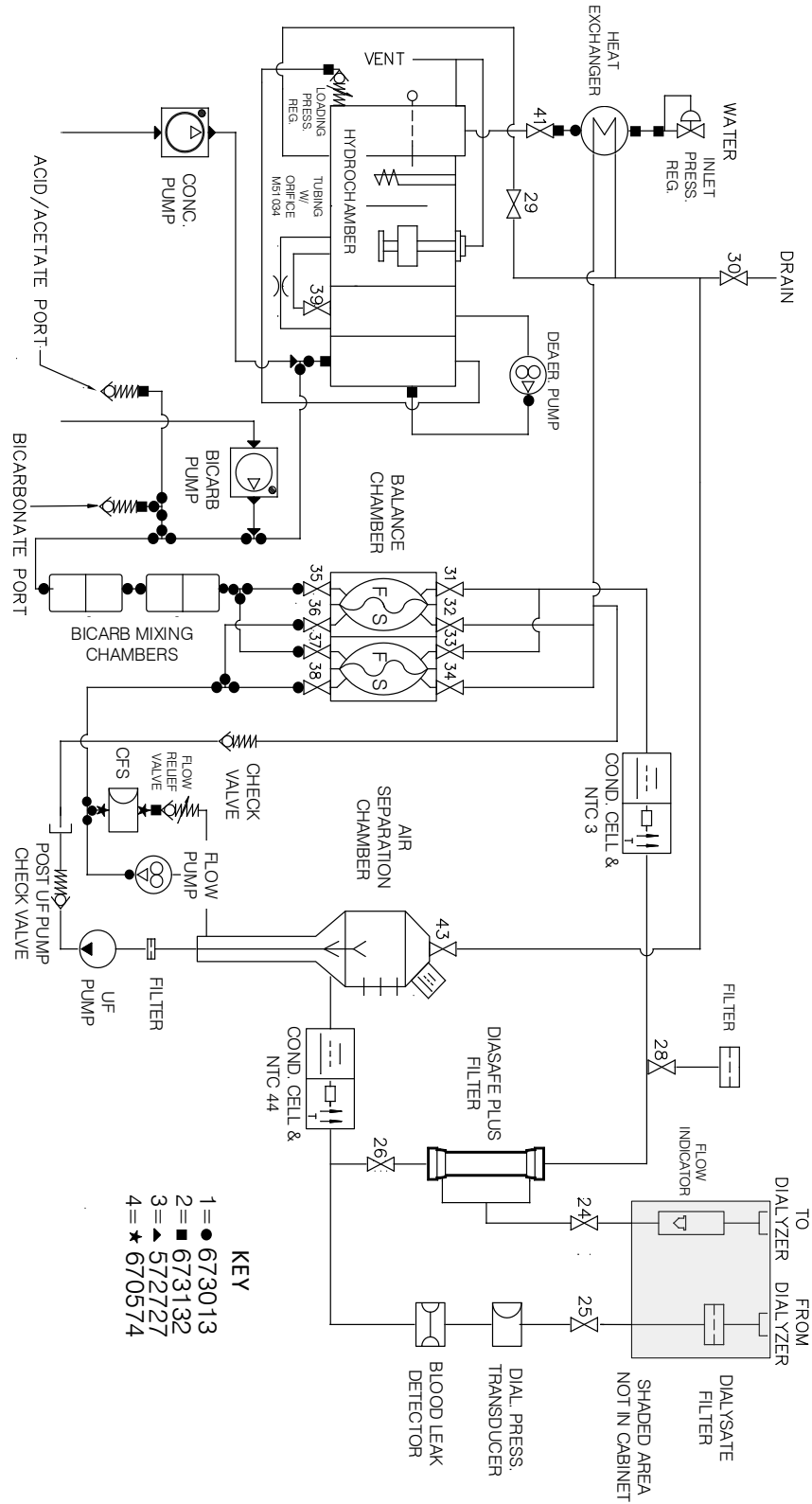
*ITEM NOT ILLUSTRATED.



2008 SERIES – Ts, Ys & BARBED CONNECTOR
ENHANCED BACKFLOW PREVENTION

7.16.1 2008 SERIES HYDRAULICS: Ts, Ys, & BARBED CONNECTOR - DIAGRAM

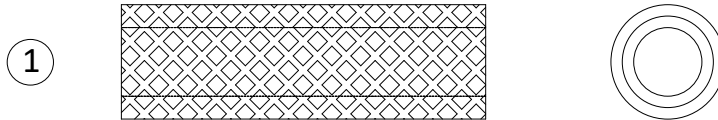
SEQ	PART NUMBER	DESCRIPTION
1	M56225	T-CONNECTOR
2	M56227	Y-CONNECTOR, TUBE, PLASTIC
3	M56226	T-CONNECTOR, 7X4X7 PVDF
4	670911	CONNECTOR, BARBED, 4MM X 35MM



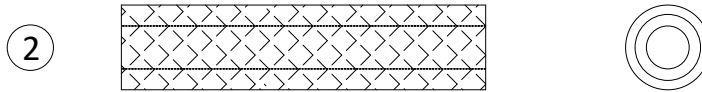
2008 SERIES HYDRAULICS: TUBING CLAMPS
WITH ENHANCED BACKFLOW PREVENTION - NON BIBAG

7.16.2 2008 SERIES HYDRAULICS: TUBING CLAMPS

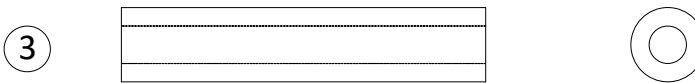
SEQ	PART NUMBER	DESCRIPTION
1	673013	BLACK WIRE TUBE CLAMP, 11.9MM ID
2	673132	SILVER WIRE TUBE CLAMP, 12.8MM ID
3	572727	CLAMP, BAND, 1 EAR, TUBING, 7-8.7MM, SS
4	670574	HOSE CLAMP, SNAPPER, TYPE - SNP4



①
 545210 (60M) – M40038 (3M)
 10X 16 mm
 CLEAR PVC VINYL WITH NYLON REINFORCING



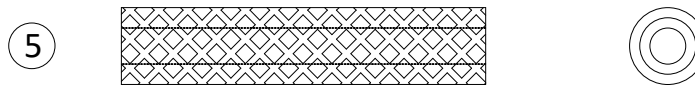
②
 F40019965 (50M) – M430951 (3M)
 6X 12 mm
 CLEAR SILASTIC WITH NYLON REINFORCING



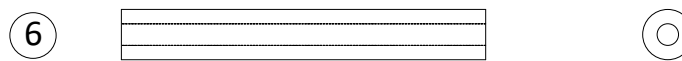
③
 F40019964 (50M) – M38208 (3M)
 5X 11 mm
 CLEAR SILASTIC



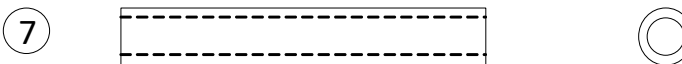
④
 WHITE – F50004811 (100M) – M38207 (3M); BLUE – F50004812 (100M)
 3X6 mm
 SILICONE WITH NYLON REINFORCING



⑤
 642391 – 33FT
 5X 11 mm
 CLEAR SILICONE WITH NYLON REINFORCING



⑥
 F50004813 (100M) – M38205 (3M)
 3X7 mm
 CLEAR SILICONE



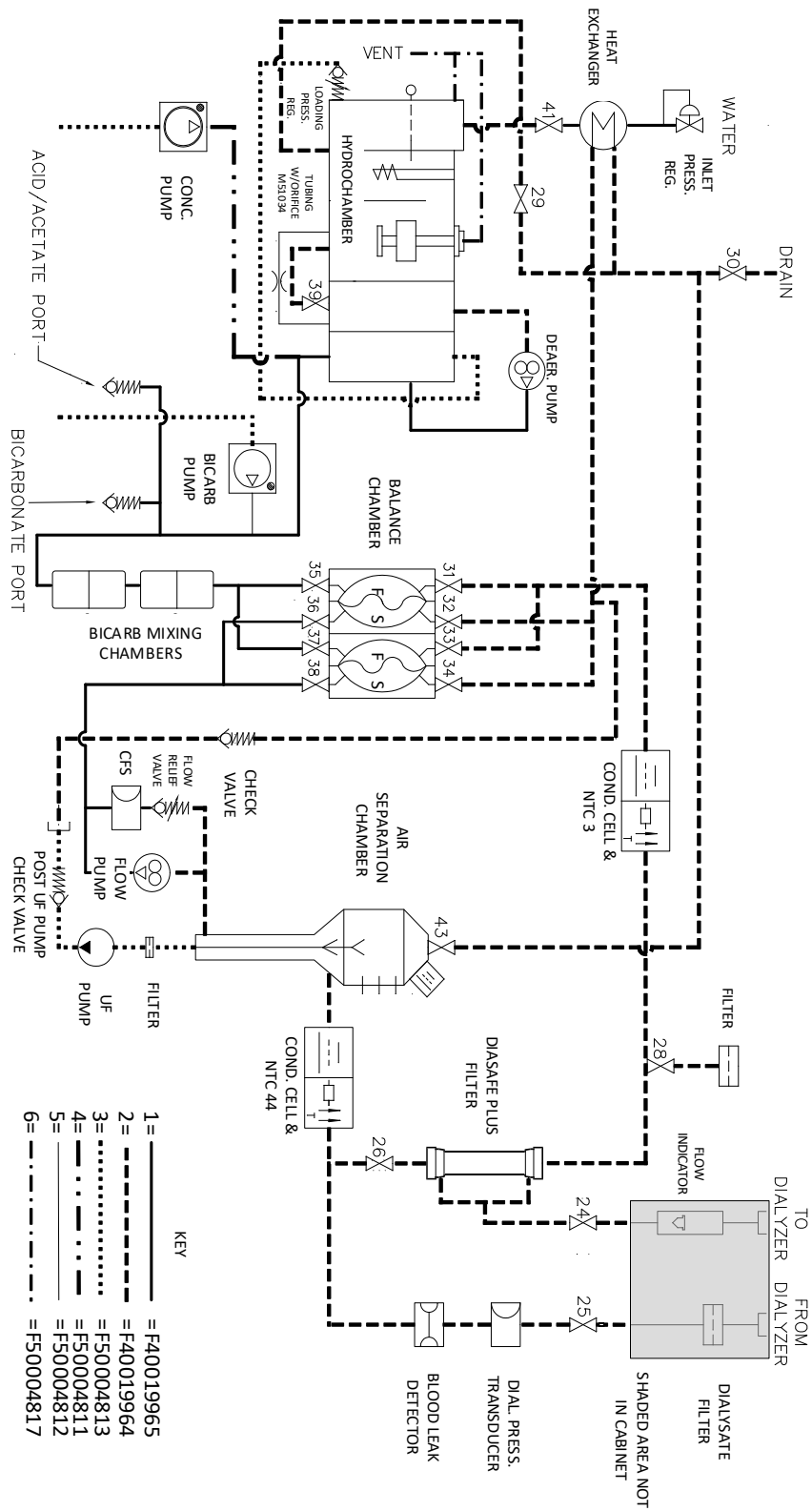
⑦
 F50004817 (50M)
 5X8 mm
 CLEAR SILICONE

TUBING

7.17.0 TUBING

SEQ	PART NUMBER	DESCRIPTION
1	545210	TUBING, PVC VINYL WITH NYLON BRAID, 10mm X 16mm, , ROLL- 60 METERS
1A	M40038	TUBING, PVC VINYL WITH NYLON BRAID, 10mm X 16mm, 3 METERS
2	F40019965	SIL. TUBE CLEAR, REINF 6.35X2.65MM, 50 METERS
2A	M430951	TUBING SILICON REINF. 6.35X2.65MM, 3 METERS
3	F40019964	SILICONE TUBE, CLEAR, 5 X 3 MM, 50 METER ROLL
3A	M38208	TUBING, 5MM ID, 3MM WALL,SILICONE, 3 METERS
4	F50004811	SIL. TUBE WHITE REINF, 3.3 X 2.2MM, ROLL – 100 METERS
4A	M38207	TUBING,3MM ID,2.5MM WALL,SILICONE,WHITE, 3 METERS
4B	F50004812	SIL. TUBE BLUE REINF, 3.3 X 2.2MM, ROLL – 100 METERS
5	642391	TUBING, BRAID, 5mm X 11mm (ROLL-33 FT) DIALYSATE LINE TUBING FOR 2008K2 AND 2008K@HOME
6	F50004813	SILICONE TUBE, CLEAR, 3 X 2 MM, ROLL – 100 METERS
6A	M38205	TUBING,3MM ID,2MM WALL, 3 METERS
7	F50004817	SILICONE TUBE, CLEAR, 5 X 1.5 MM, ROLL – 50 METERS
8	M43650	INLET/DRAIN TUBING SIL. BLUE/BLACK 3 MTR* TUBING FOR INTEGRATED AUTO DISINFECT (IAD) KIT – INCLUDES CLAMPS FOR IAD KIT. SEE PAGE 172
9	332010-07	BENCHTOP TUBING CUTTER, 1/16" TO 5/8" OD*
10	332010-08	REPLACEMENT BLADE, BENCHTOP TUBING CUTTER*

*ITEM NOT ILLUSTRATED.



2008 SERIES HYDRAULICS:TUBING
 ENHANCED BACKFLOW PREVENTION – NON-BIBAG

7.17.1 2008 SERIES HYDRAULICS: TUBING (DIAGRAM)

SEQ	PART NUMBER	DESCRIPTION
1	F40019965	SIL. TUBE CLEAR, REINF 6.35X2.65MM, 50 METERS
1A	M430951	TUBING SILICON REINF. 6.35X2.65MM, 3 METERS
2	F40019964	SILICONE TUBE, CLEAR, 5 X 3 MM, 50 METER ROLL
2A	M38208	TUBING, 5MM ID, 3MM WALL,SILICONE, 3 METERS
3	F50004813	SILICONE TUBE, CLEAR, 3 X 2 MM, ROLL – 100 METERS
3A	M38205	TUBING,3MM ID,2MM WALL, 3 METERS
4	F50004811	SIL. TUBE WHITE REINF, 3.3 X 2.2MM, ROLL – 100 METERS
4A	M38207	TUBING,3MM ID,2.5MM WALL,SILICONE,WHITE, 3 METERS
5	F50004812	SIL. TUBE BLUE REINF, 3.3 X 2.2MM, ROLL – 100 METERS
6	F50004817	SILICONE TUBE, CLEAR, 5 X 1.5 MM, ROLL – 50 METERS

8.0.0 2008T BLUESTAR

8.1.0 CABINET & CABINET COMPONENTS (2008T BLUESTAR)

PART NUMBER	DESCRIPTION
191248	2008T BLUESTAR CABINET ASSEMBLY – (NON BIBAG) INCLUDES CASTERS, BRAKE, PORT OVERLAY, UPPER & LOWER I.V. POLE HOLDER (NO PANELS) AND THE SHIPPING CARTON
191249	2008T BLUESTAR CABINET ASSEMBLY – (BIBAG) INCLUDES CASTERS, BRAKE, PORT OVERLAY, UPPER & LOWER I.V. POLE HOLDER (NO PANEL) AND THE SHIPPING CARTON
191121	REAR PANEL
191122	UPPER REAR PANEL
290172-02	LOWER I.V. POLE HOLDER
290536-02	UPPER I.V. POLE HOLDER
490317	PORT OVERLAY
330916-35	STANDOFF (COVER USED VOLUME POTENIOMETER - USED ON 2008T BLUESTAR CONVERSIONS)

8.2.0 ELECTRONICS (2008T BLUESTAR) INCLUDING CARD CAGE AND POWER SUPPLY

PART NUMBER	DESCRIPTION
190951-108	POWER LOGIC BOARD (WITH 2008T BLUESTAR SOFTWARE)
190654-275	FUNCTIONAL BOARD (WITH 2008T BLUESTAR SOFTWARE)
191142	SENSOR BOARD † ‡
191191	SENSOR BOARD † ‡
191111	POWER SUPPLY, UPPER
190937	POWER CONTROL BOARD
191164	DISPLAY ASSEMBLY
191192	KEYBOARD ASSEMBLY (KIT INCLUDES KEYBOARD AND REPLACEMENT INSTRUCTIONS)
368558-05	EEPROM, MOTHER BOARD
330916-35	STANDOFF (USED TO COVER VOLUME POTENIOMETER – 2008T BLUESTAR PREMIUM CONVERSIONS)

† Requires Actuator-test board software 2.32 or greater.



‡ For further information see Field Service Bulletin 21-FRS-002 @ fmcna.com/support

8.3.0 BLOOD PUMP (2008T BLUESTAR)

PART NUMBER	DESCRIPTION
F40008688	BLOOD PUMP MODULE
RF40008688	BLOOD PUMP MODULE (REWORKED)
M49706	BLOOD PUMP MOTOR/GEARBOX ASSEMBLY (FOR F40008688)
M55714	BRUSHES 12MM LONG (FOR F40008688)
M55713	ENCODER KIT (FOR F40008688) INCLUDES 2-12MM BRUSHES, DECODER WHEEL, ENCODER ASSEMBLY, ENCODER COVER AND 2 SCREWS

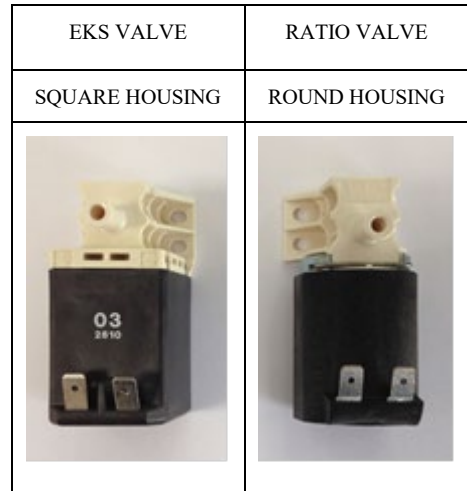
8.4.0 PUMPS – ACID, BICARBONATE & ULTRAFILTRATION (2008T BLUESTAR)

PART NUMBER	DESCRIPTION
F40007128	ACID/BICARBONATE PUMP COMPLETE WITH 2008T BLUESTAR PREMIUM EXTENDED LIFE COMPONENTS
674074	VALVE SPRING SET, ACID & BICARBONATE PUMP 2008T BLUESTAR PREMIUM EXTENDED LIFE COMPONENTS: 2 PORTS, 2 SEAL/SPRING ASSEMBLIES AND 2 O-RINGS
F40007129	UF PUMP COMPLETE WITH 2008T BLUESTAR PREMIUM EXTENDED LIFE COMPONENTS
673945	VALVE SPRING SET, UF PUMP 2008T BLUESTAR PREMIUM EXTENDED LIFE COMPONENTS: 2 PORTS, 2 SEAL/SPRING ASSEMBLIES AND 2 O-RINGS
F40014767	VALVE SPRING SET, UF/BIC/ACID SPRINGS AND SEALS (ONLY) FOR ALL 3 PUMPS

VALVE SPRING SET CONC. PUMP	VALVE SPRING SET UF PUMP
674074	673945
	
Springs, seals and end caps are not available separately	

8.5.0 VALVE & VALVE ASSEMBLIES (RATIO TYPE)

PART NUMBER	DESCRIPTION
	<u>SINGLE PORT</u>
F40008716	VALVE: 24, 27, 31, 32, 33, 34, & 43 (SINGLE PORT)
F40008718	VALVE: 35, 36, 37, 38, & 39 (SINGLE PORT)
F40008714	VALVE 26
	<u>DUAL PORT</u>
F40008723	VALVE: 24, 30 & 41
F40008725	VALVE 25
	<u>VALVE ASSEMBLY</u>
F40008709	VALVE 27/29 ASSEMBLY
F40011858	VALVE 24/26 (DUAL PORTED VALVES)



8.6.0 HYDRAULIC ASSEMBLIES (WITH RATIO TYPE VALVES)

PART NUMBER	DESCRIPTION
F40008702	HYDROCHAMBER COMPLETE
F40008703	DIASAFE PLUS ASSEMBLY
F40008692	BIBAG AIR SEPARATION CHAMBER
F40008694	AIR SEPARATOR COMPLETE

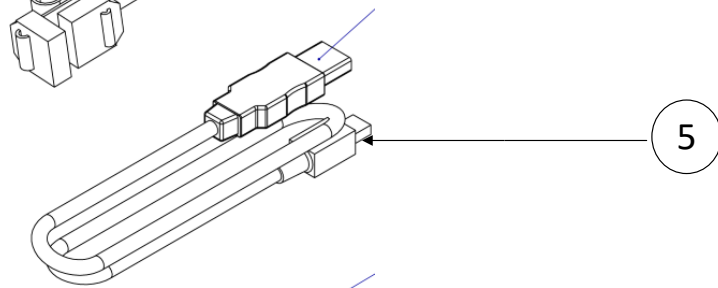
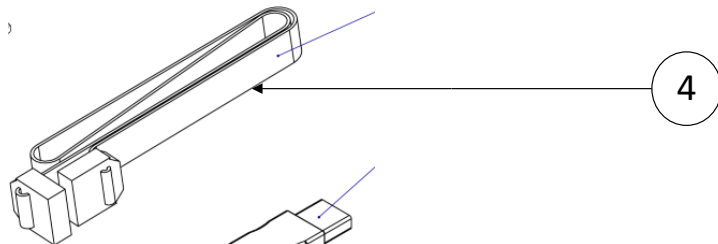
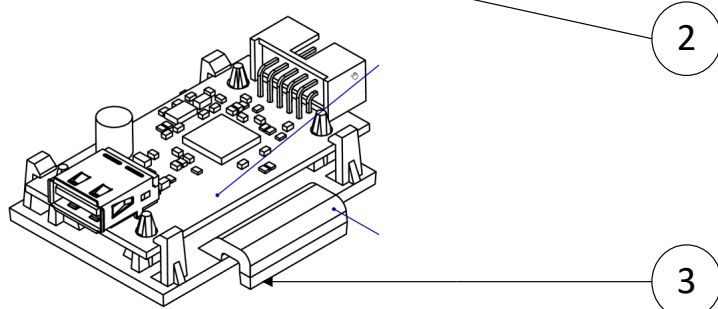
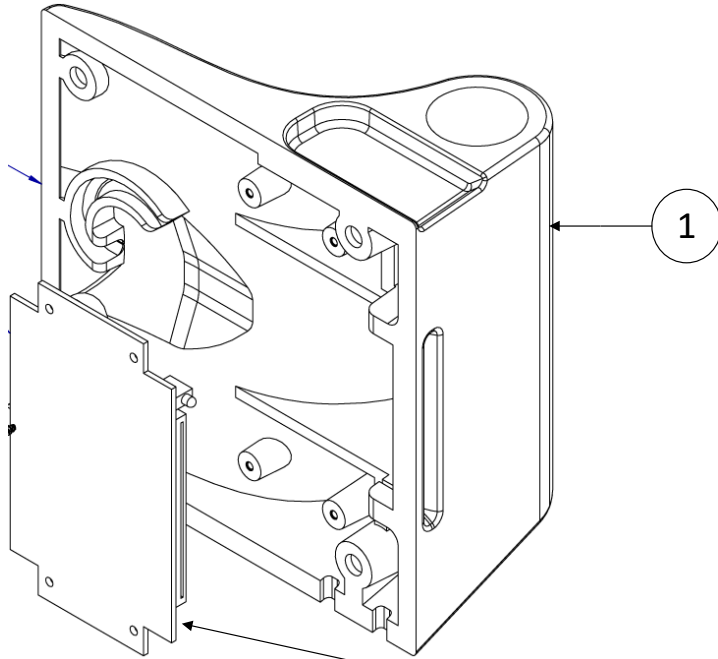
8.7.0 PREVENTATIVE MAINTENANCE (PM) KITS

PART NUMBER	DESCRIPTION
191175	2008T BLUESTAR PREMIUM ONE-YEAR PM KIT
191174	2008T BLUESTAR PREMIUM TWO-YEAR PM KIT

NOTE: 2008T SEMI-ANNUAL PM KITS ARE THE SAME FOR ALL 2008T MACHINES.

8.8.0 2008T BLUESTAR UPGRADE KITS

PART NUMBER	DESCRIPTION
191137	2008T BLUESTAR STANDARD UPGRADE KIT NOTE: KIT CONTAINS TWO IDENTICAL USB (THUMB) DRIVES & WILL UPGRADE MULTIPLE NON-2008T BLUESTAR MACHINES. KIT <u>DOES NOT</u> CONTAIN ANY MACHINE COMPONENTS.
191138	2008T BLUESTAR PREMIUM UPGRADE KIT NOTE: A SINGLE KIT WILL UPGRADE A SINGLE 2008T BLUESTAR STANDARD MACHINE TO A 2008T BLUESTAR PREMIUM MACHINE. KIT CONTAINS: SPECIAL FEATURES EEPROM, MOTHERBOARD EPROM, POWER LOGIC BOARD, HOUR METER COVER, LOGO DECAL, & SPRING SETS FOR: ACID, BICARB & UF PUMP. KIT <u>DOES NOT</u> CONTAIN UPGRADE SOFTWARE.
191139	2008T BLUESTAR PATIENT CARD READER UPGRADE KIT



8.9.0 PATIENT CARD READER

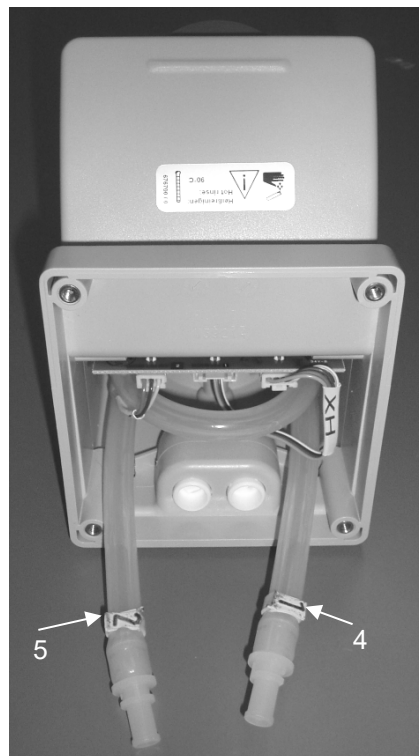
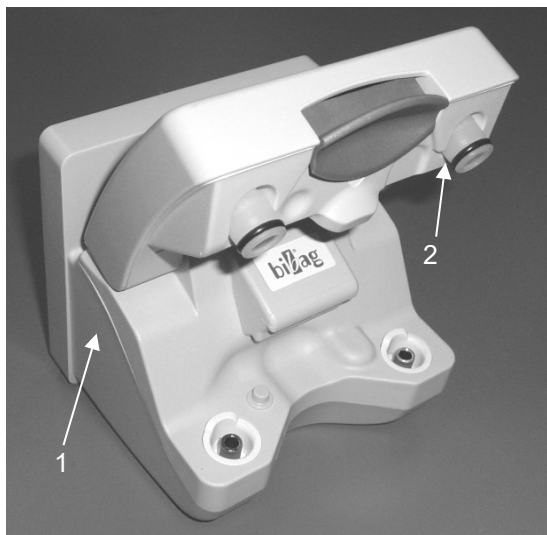
SEQ	PART NUMBER	DESCRIPTION
	191167	PATIENT CARD READER ASSEMBLY
1	191119	2008T CARD READER UPPER POLE MOUNT
2	M49250	PATIENT CARD READER BOARD
3	191120	CARD READER CONVERTER BOARD MOUNT NOTE: THIS ITEM DOES NOT HAVE THE CIRCUIT BOARD ON TOP OF IT, IF THAT CIRCUIT BOARD IS NEEDED THE ENTIRE PATIENT CARD READER ASSEMBLY WILL BE REQUIRED.
4	191116	CARD READER ADAPTER SERIAL CABLE
5	365067-08	CABLE, USB 2.0, A MALE TO MINI B MALE, 0.8MM
6	M35765	PATIENT CARD

9.0.0 BIBAG

†**NOTE:** The bibag feature and related spare parts are for use on 2008T/2008K@Home machines only.

9.1.0 BIBAG CONNECTOR

SEQ	PART NUMBER	DESCRIPTION
1	190598	BIBAG CONNECTOR COMPLETE
1A	552279	SCREW M4 X 16 PNHD PHIL SS* – USED TO MOUNT ITEM 1 TO CABINET
1B	330601-04-01	WASHER, #10, LIGHT FLAT* – USED WITH ITEM 1A.
2	F40007106	BIBAG CONNECTOR O-RING
4	M56202	RUBBER TUBING LABEL “1” (FROM BIBAG)
5	M56203	RUBBER TUBING LABEL “2” (TO BIBAG)

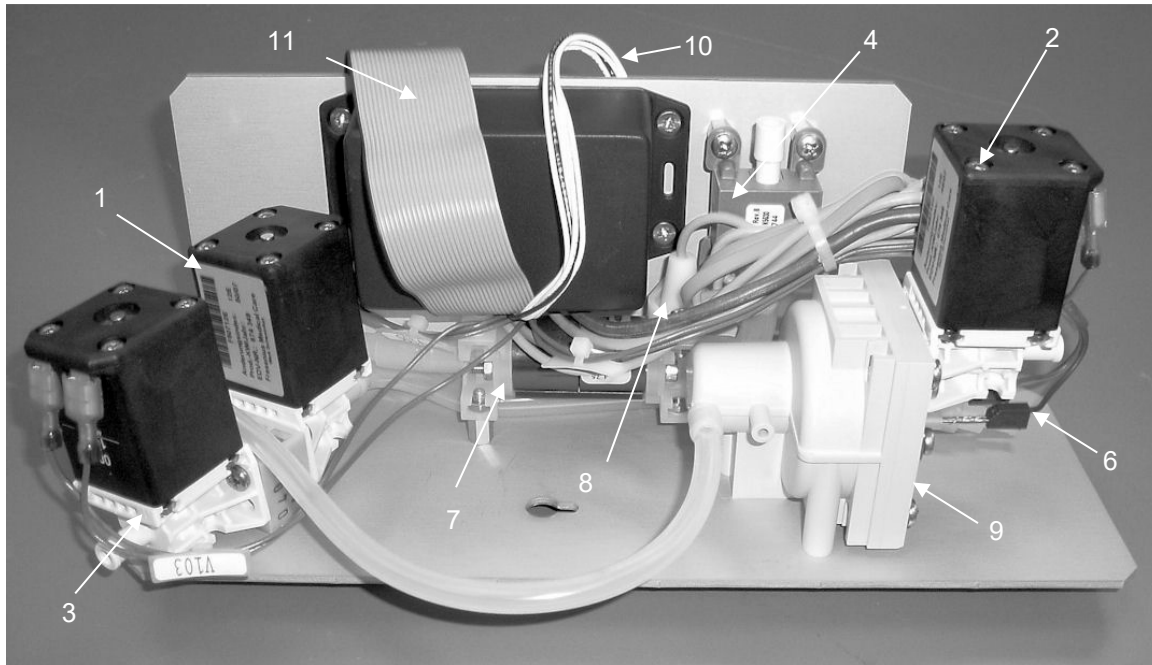


*ITEM NOT ILLUSTRATED.

†**NOTE:** The bibag feature and related spare parts are for use on 2008T/2008K@Home machines only.

9.2.0 BIBAG HYDRAULICS

SEQ	PART NUMBER	DESCRIPTION
	F40011338	BIBAG HYDRAULIC ASSEMBLY INCLUDES ALL SHOWN COMPONENTS INCLUDING ITEMS 1 THROUGH 11.
1	M55508	FILL VALVE (V100) - VALVE ONLY, DOES NOT INCLUDE WIRING HARNESS
2	M55508	VENT VALVE (V101) - VALVE ONLY, DOES NOT INCLUDE WIRING HARNESS
3	M55508	OUTLET VALVE (V103) - VALVE ONLY, DOES NOT INCLUDE WIRING HARNESS
4	370506-22	BIBAG PRESSURE TRANSDUCER (110)
6	668033	BIBAG AIR SEPARATION CHAMBER AIR SENSOR PROBE CABLE
7	M46410	BIBAG CONDUCTIVITY CELL (113)
8	M46405	BIBAG TEMPERATURE THERMISTOR (114)
9	F40008692	BIBAG AIR SEPARATION CHAMBER
9A	643821	SCREW, M4 X 10MM PHIL FLTHD* (USED TO MOUNT ITEM 9)
10	190525	CABLE - BIBAG DISTRIBUTION BOARD TO BIBAG CONNECTOR
11	190670	CABLE – BIBAG DISTRIBUTION BOARD TO BIBAG INTERFACE BOARD
12	M437151	BIBAG DISTRIBUTION BOARD (INSIDE BLACK BOX)*

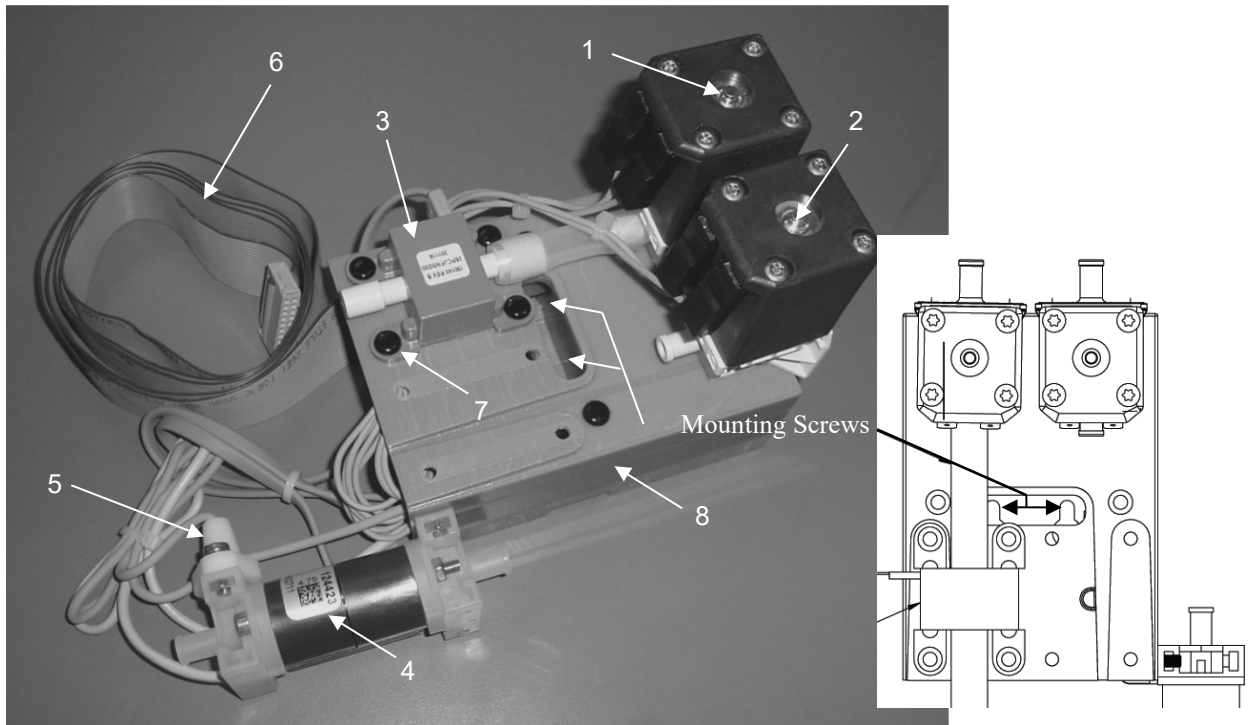


†**NOTE:** The bibag feature and related spare parts are for use on 2008T/2008K@Home machines only.
NOTE: Cable that connects valves: 100, 101 & 103 not available separately.

* ITEM NOT ILLUSTRATED

9.3.0 BIBAG HYDRAULICS – DISTRIBUTION BOX

SEQ	PART NUMBER	DESCRIPTION
	F40011368	DISTRIBUTION BOX 2 ASSEMBLY INCLUDES ALL SHOWN COMPONENTS INCLUDING ITEMS 1 THROUGH 10.
1	M55509	ACID PORT VALVE (V105) - VALVE ONLY, DOES NOT INCLUDE WIRING HARNESS
2	M55509	BICARBONATE PORT VALVE (V104) - VALVE ONLY, DOES NOT INCLUDE WIRING HARNESS
3	370506-22	ACID PORT PRESSURE TRANSDUCER (106)
4	M46410	BICARBONATE CONDUCTIVITY CELL (117)
5	M46405	BICARBONATE TEMPERATURE THERMISTOR (116)
6	190865	CABLE - BIBAG DISTRIBUTION BOX 2 TO BIBAG INTERFACE BRD – 20 PIN
7	330801-03	RETAINING PIN
8	290684	DISTRIBUTION BOX 2 ONLY
9	290685	DISTRIBUTION BOX 2 COVER* COVER INSIDE ITEM 8 AND IS USED TO RETAIN ITEM 10
10	190860	DISTRIBUTION BOX 2 CIRCUIT BOARD* BOARD INSIDE ITEM 8

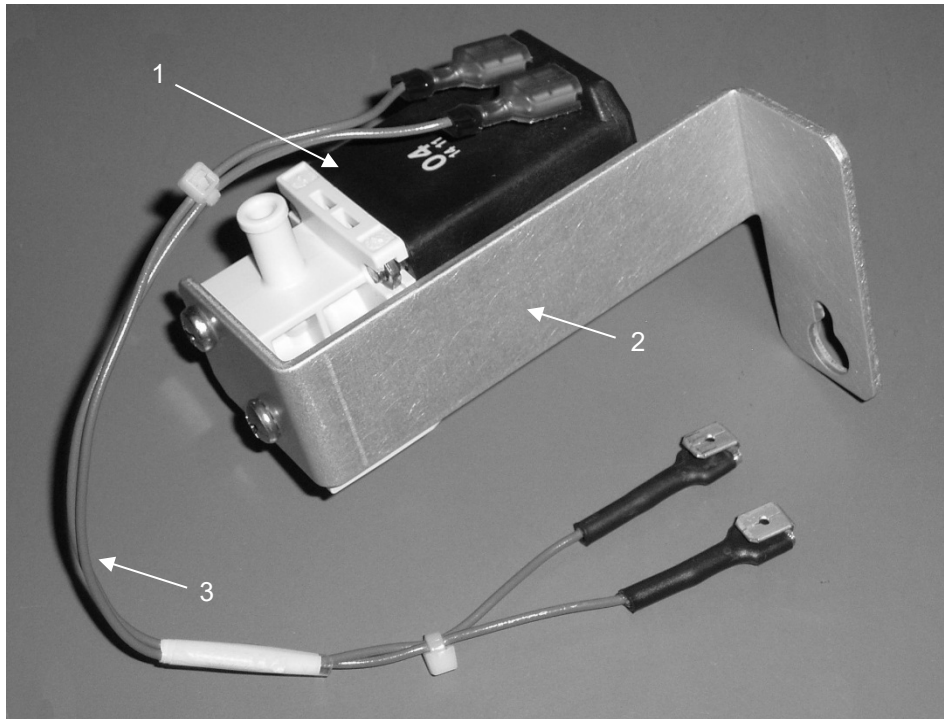


*ITEM NOT ILLUSTRATED.

†**NOTE:** The bibag feature and related spare parts are for use on 2008T/2008K@Home machines only.

9.4.0 BIBAG – VALVE 108

SEQ	PART NUMBER	DESCRIPTION
	190959	VALVE 108 ASSEMBLIES - INCLUDES ITEMS 1, 2 & 3.
1	M55509	VALVE 108 - VALVE ONLY, DOES NOT INCLUDE WIRING HARNESS
2	290767	BRACKET, VALVE SINGLE MOUNT
3	190958	BIBAG VALVE 108 CABLE ASSEMBLY

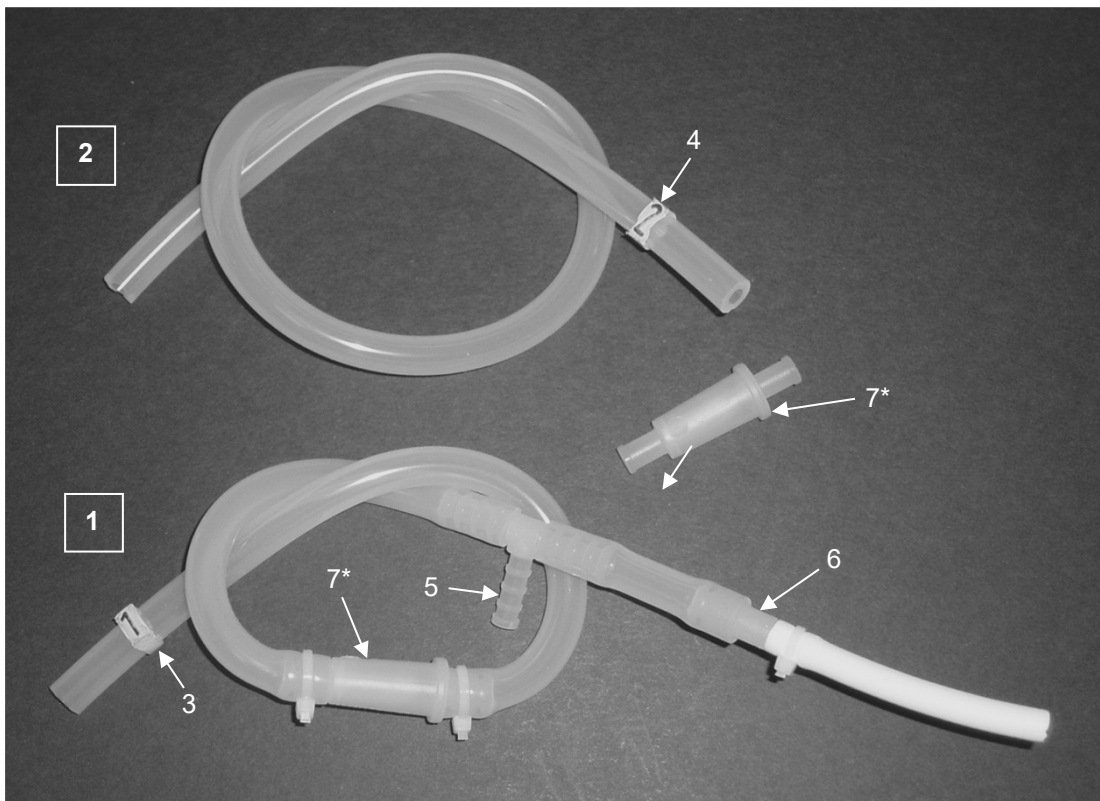


†NOTE: The bibag feature and related spare parts are for use on 2008T/2008K@Home machines only.

9.5.0 BIBAG – TUBING

SEQ	PART NUMBER	DESCRIPTION
1	190877	TUBING 21.5" ASSEMBLY LABELED 1 – FROM BIBAG
2	190602	TUBING 19" LABELED 2 – TO BIBAG
3	M56202	RUBBER TUBING LABEL "1"
4	M56203	RUBBER TUBING LABEL "2"
5	M56225	TEE CONNECTOR, 3/16
6	F4001768	REDUCER FITTING
7	M30225	BIBAG INLET FILTER*

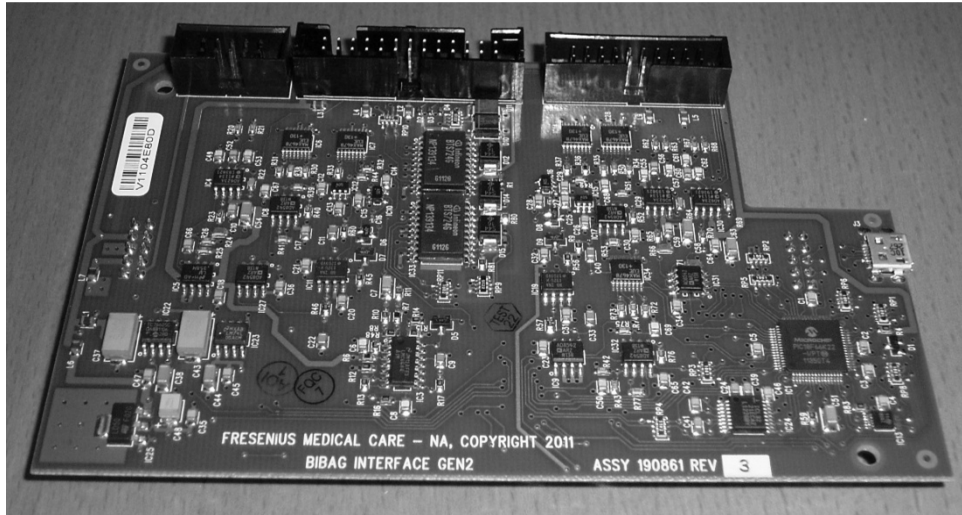
*NOTE: When replacing item 7 (bibag inlet filter), note the arrow on the housing for proper directional flow. Correct flow is from the bibag connector to the bibag air separator.



†NOTE: The bibag feature and related spare parts are for use on 2008T/2008K@Home machines only.

9.6.0 BIBAG – INTERFACE BOARD & MISCELLANEOUS ITEMS

SEQ	PART NUMBER	DESCRIPTION
	190861-01	BIBAG INTERFACE BOARD WITH SOFTWARE



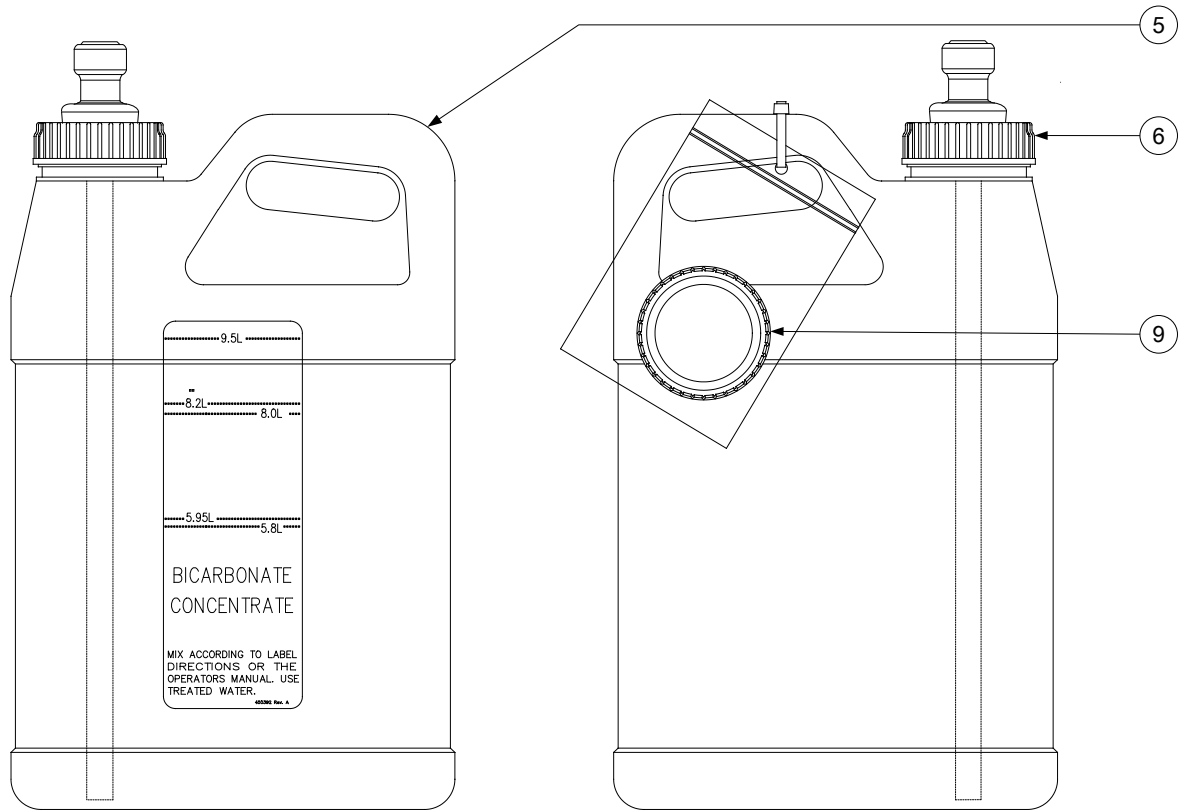
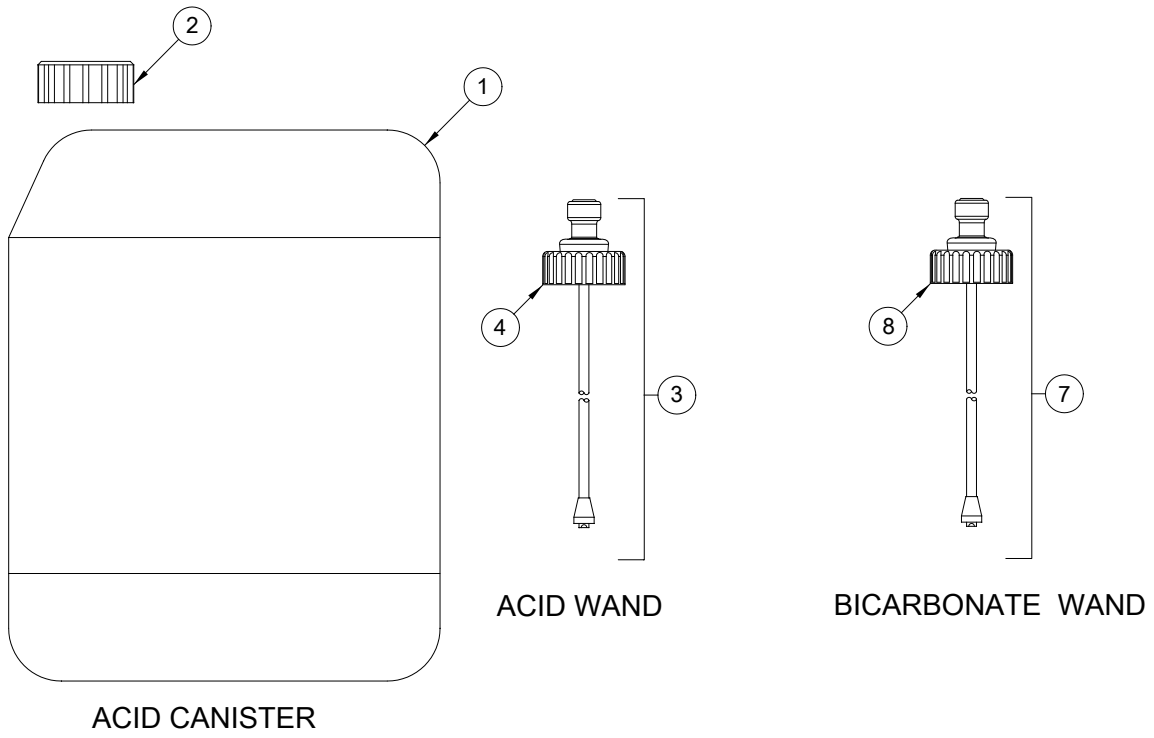
MISCELLANEOUS

1	190872	2008T BIBAG INSTALLATION KIT*
2	190873	2008T BIBAG V2.0 UPGRADE KIT*
3	368402-10	MESA SERIAL CABLE*
4	190323	NULL MODEM*

*ITEM NOT ILLUSTRATED.

†**NOTE:** The bibag feature and related spare parts are for use on 2008T/2008K@Home machines only.

**10.0.0 CONCENTRATE FEED
SYSTEM**



10.1.0 CONCENTRATE CANISTERS & WANDS

ACID

SEQ.	PART NUMBER	DESCRIPTION
1	573506	TEN LITER CANISTER
2	F40016727	CANISTER SCREW CAP (RED - FITS ITEM 1)
3	191021	ACID WAND (FITS ITEM 1)
4	640065	CANISTER SCREW-RING WITH HOLE (RED - FITS ITEM 3)

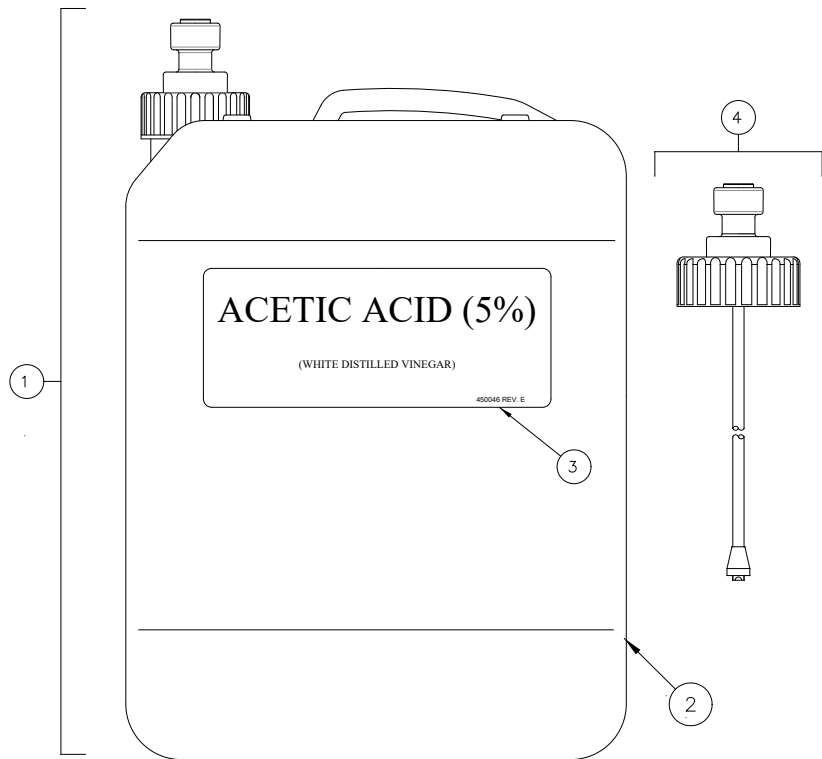
BICARBONATE

SEQ.	PART NUMBER	DESCRIPTION
5	150537	BICARBONATE JUG ASSEMBLY
5A	150589	BICARBONATE JUG - WITHOUT ITEM 6 INCLUDES ITEM 9 AND LABEL – LABEL NOT AVAILABLE SEPARATELY
6	150538	BICARB WAND ASSEMBLY – FOR USE ON ITEM 5 & 5 A ONLY
7	191022	BICARB WAND ASSEMBLY – FOR USE ON ITEM 1 STYLE JUG ONLY
8	640066	CANISTER SCREW-RING WITH HOLE (BLUE – FITS ITEM 7)
9	337008-02	CAP

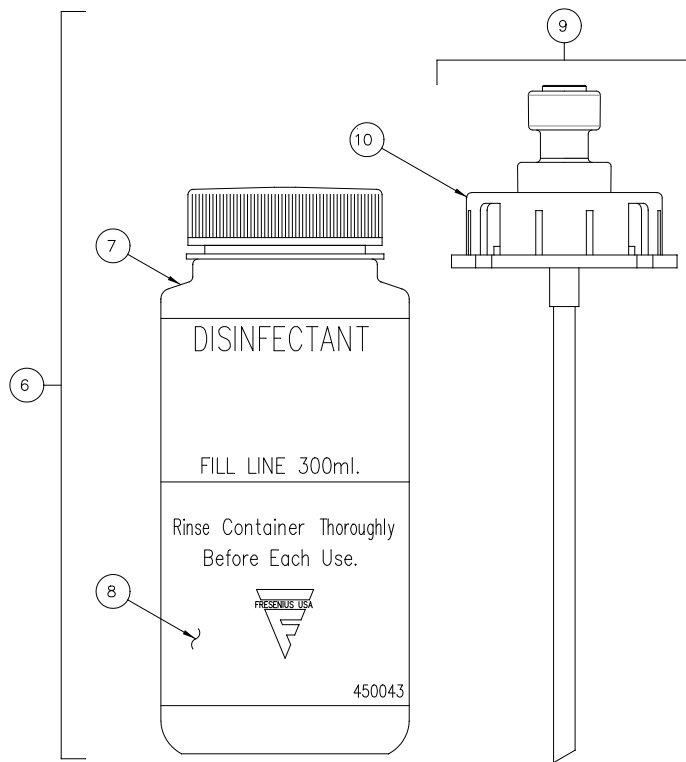
MACHINE LABELS

SEQ.	PART NUMBER	DESCRIPTION
10	450007	LABEL, COBE TYPE ACID/BICARB ONLY (1:44/45X)*

*ITEM NOT ILLUSTRATED.



ACETIC ACID (VINEGAR) KIT



DISINFECTION KIT

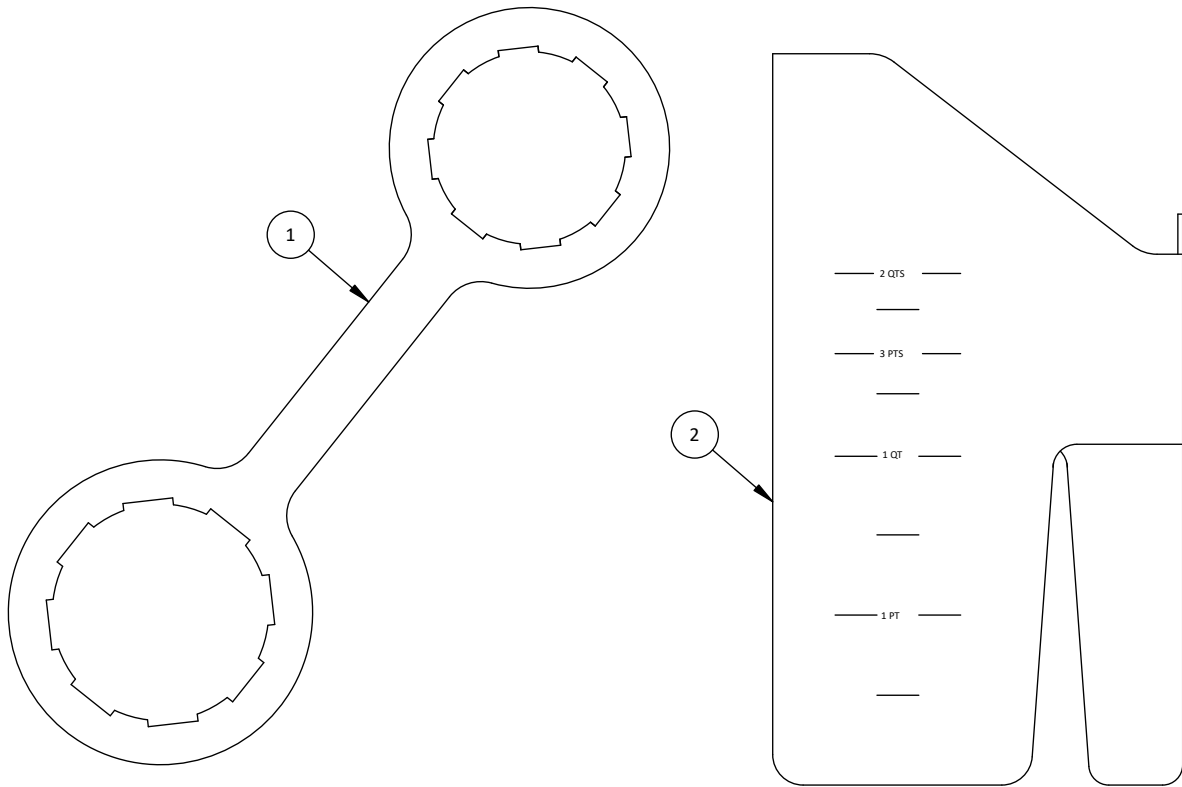
10.1.1 ACETIC ACID (VINEGAR) KIT

SEQ.	PART NUMBER	DESCRIPTION
1	191010	ACETIC ACID (VINEGAR) CANISTER ASSEMBLY, 10 LITERS, (WITH ITEMS 2 - 4)
2	573506	TEN LITER CANISTER
3	450046	LABEL, ACETIC ACID (FOR ITEM 2)
4	191023	WHITE CANISTER WAND, COMPLETE FOR ACETIC ACID NOTE: FRESenius MEDICAL CARE DOES NOT OFFER A DUAL PORTED ACETIC ACID WAND
5	F40016727	CANISTER SCREW CAP (RED - FITS ITEM 2)*

10.1.2 DISINFECTION KIT

SEQ.	PART NUMBER	DESCRIPTION
6	150043	DISINFECTION KIT (YELLOW) (INCLUDES ITEMS 7 - 10)
7	337006-01	BOTTLE, 500CC – COMES WITH CAP (FOR DISINFECTION) DOES NOT COME WITH ITEM 8
8	450043	DISINFECTION KIT LABEL (FOR ITEM 7)
9	M52839	YELLOW WAND, COMPLETE FOR DISINFECTANT
10	641691	CANISTER SCREW RING WITH HOLE (YELLOW - FITS ITEM 7)

*ITEM NOT ILLUSTRATED.



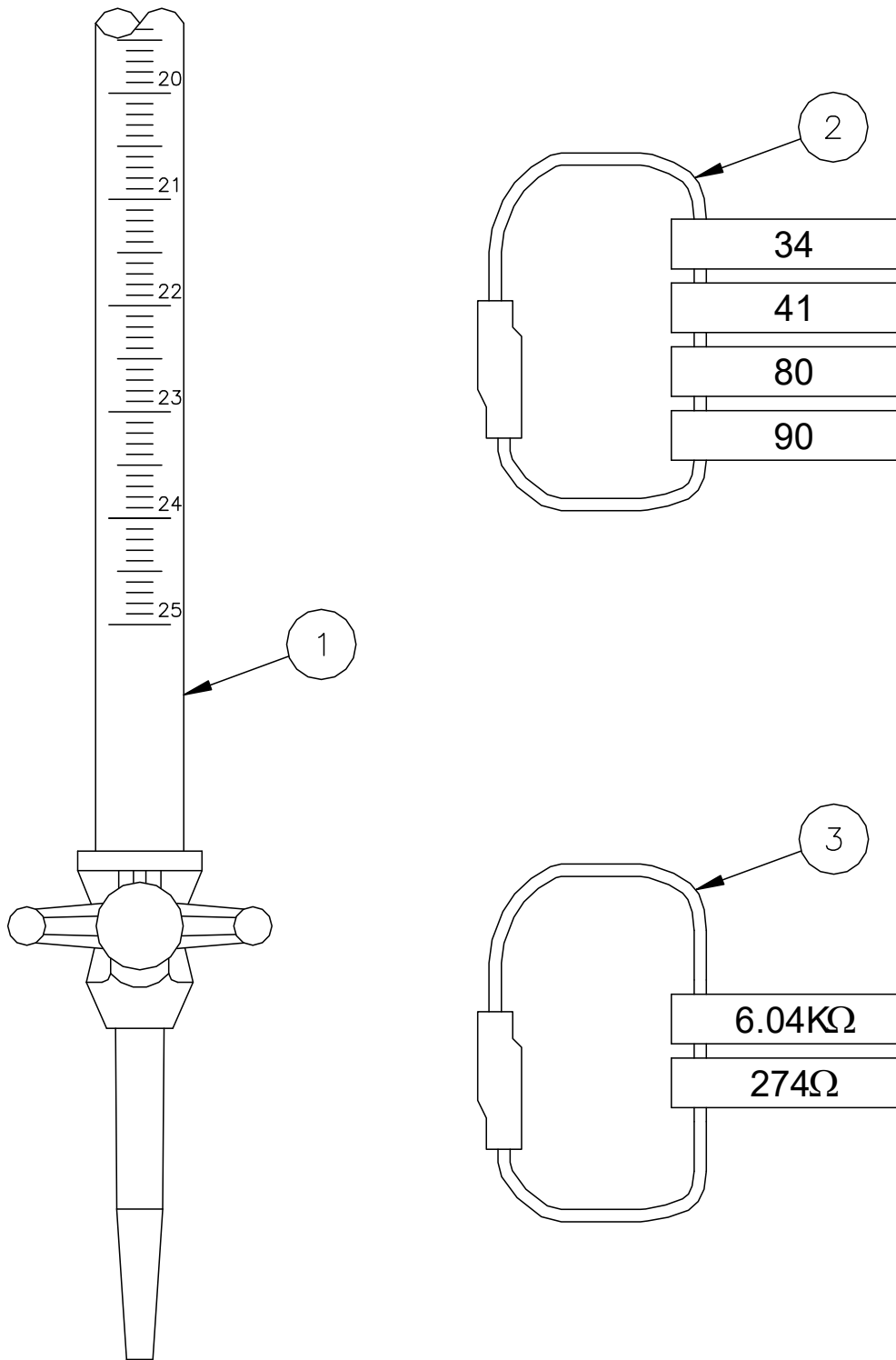
MISCELLANEOUS

10.1.3 MISCELLANEOUS

SEQ.	PART NUMBER	DESCRIPTION
1	250128	DIALYZER HEADER WRENCH
2	150071	DRAIN BUCKET ASSEMBLY, (SALINE) (INCLUDES ITEMS 2A-2E)
2A	191286	DRAIN BUCKET (HANDLE IS SEALED)
2B	250108	SALINE BUCKET PLATE*
2C	330936-05-04	SCREW, FH PH 4X3/8 S.S. TYPE B*
2D	330098-08-01	SHEET METAL SCREW, PHPH, #8 X 5/8, S.S.*
2E	221300-03	TUBING CLIP, GREY*
3	335130-01	pH TEST STRIP (100 PER BOX)*
4	335130-02	FORMALDEHYDE TEST STRIPS*

*ITEM NOT ILLUSTRATED.

11.0.0 TEST EQUIPMENT & KITS



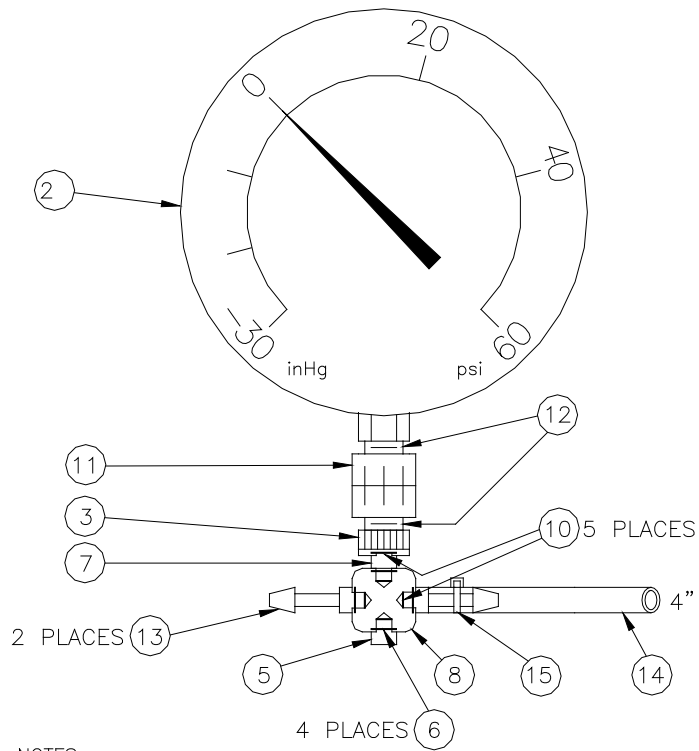
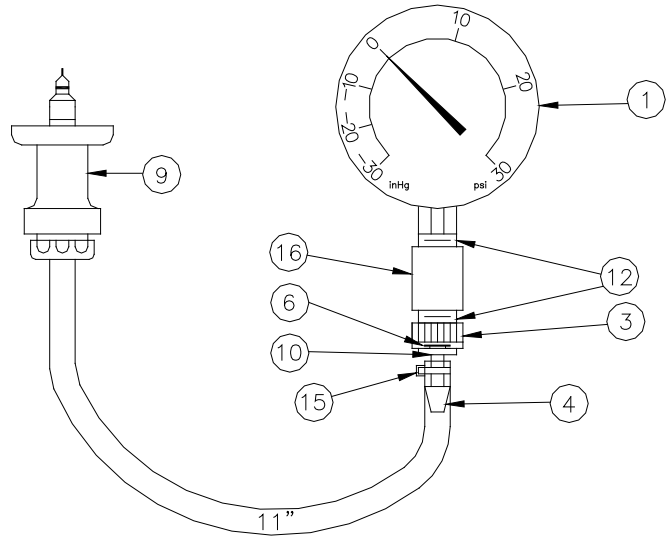
CALIBRATION & TEST EQUIPMENT

11.1.0 CALIBRATION & TEST EQUIPMENT

SEQ.	PART NUMBER	DESCRIPTION
1	290104	BURET, MODIFIED, 25ML
2	190060	RESISTOR SET, TEMPERATURE CALIBRATION – SEE TABLE BELOW
3	190168	RESISTOR SET, OLC TESTING
4	150034	FRESENIUS MEDICAL CARE TEST KIT COMPLETE* (SEE PAGES 165 AND 167)
5	370035	BLOOD PRESSURE MODULE TEST KIT* (INCLUDES ITEMS 6 & 7)
6	370090	DUAL DUMMY CUFF, 220 & 700 CC*
7	370091	‘Y’ TEST TUBING*
8	368402-10	MESA SERIAL CABLE*
9	190323	NULL MODEM*

Resistor Set (P/N 190060) Resistance Values	
Value	Resistance (K Ω)
34	6.808
41	5.117
80	1.255
90	0.915

*ITEM NOT ILLUSTRATED.



NOTES:

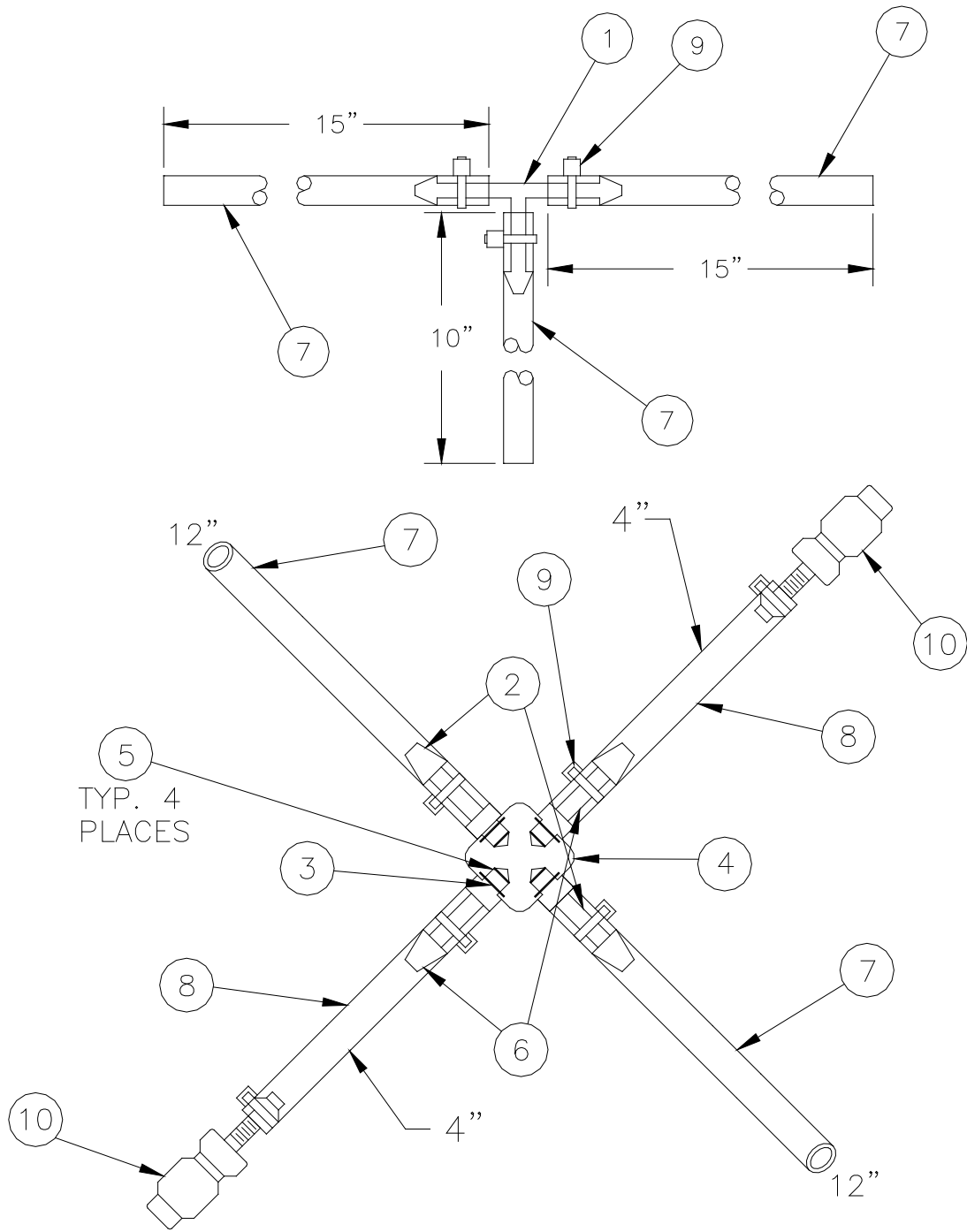
1. TEFLON TAPE NEEDED ON ALL PIPE THREADS.
2. CONNECTOR #9 COMES WITH TUBING AND LUER FITTING. REMOVE THE LUER FITTING AND REPLACE WITH NIPPLE #4 AND TY-WRAP AS SHOWN

FRESENIUS MEDICAL CARE TEST KIT DETAIL A

11.2.0 FRESenius MEDICAL CARE TEST KIT, DETAIL A

SEQ.	PART NUMBER	DESCRIPTION
	150034	FRESenius MEDICAL CARE TEST KIT COMPLETE
1	338002-02	2" GAUGE, -30 inHg TO 0 TO +30 psi, COMPOUND, 1/4" NPT
1A	338003-01	DIGITAL PRESSURE GAUGE 100 PSI-29.5 INHG*
2	338002-05	4" GAUGE, -30 inHg TO 0 TO +60 psi, COMPOUND, 1/2" NPT
3	220463-02	ADAPTER, 1/4" NPT X GRATEC FEMALE
4	230238	FITTING 3/16" BARB TO GRATEC MALE
5	220429	PLUG, 1/4" GRATEC MALE
6	332004-03	CLIP, RETAINER FLAT, 1/4"
7	332015-07	COUPLING 1/4" MALE GRATEC
8	332071-01	CONNECTOR, 4-WAY 1/4" GRATEC FEMALE
9	F40007660	DISINFECT PLUG ASSEMBLY
10	334013-05	O-RING
11	338002-03-01	COUPLING, 1/2" NPT X 1/4"NPT
12	335006-01	TEFLON TAPE*
13	230103	FITTING, 1/4" BARB X GRATEC MALE
14	336081-03	SILICONE TUBING 3/16 X 3/8 (SPECIFY LENGTH)
15	368189-01	TY-WRAP PLASTIC MINI 3-7/8" LONG
16	332137-04	COUPLING, 1/4" NPT GREY PVC, FEMALE

*ITEM NOT ILLUSTRATED.



FRESENIUS MEDICAL CARE TEST KIT DETAIL B

11.2.1 FRESenius MEDICAL CARE TEST KIT, DETAIL B

SEQ.	PART NUMBER	DESCRIPTION
	150034	FRESenius MEDICAL CARE TEST KIT COMPLETE
1	332151-06	3/16 INCH POLYPROPYLENE TEE
2	230238	FITTING 3/16" BARB TO GRATEC MALE
3	332004-03	CLIP, RETAINER FLAT, 1/4"
4	332071-01	CONNECTOR, 4-WAY GRATEC FEMALE
5	334013-05	O-RING
6	230103	FITTING 1/4" BARB X GRATEC MALE
7	336081-02	SILICONE TUBING 1/8 X 1/4" (SPECIFY LENGTH)
8	336081-03	SILICONE TUBING 3/16 X 3/8 (SPECIFY LENGTH)
9	368189-01	TY-WRAP PLASTIC MINI, 3-7/8" LONG
10	390531	FITTING, BARBED MALE, 3/8" HOSE ID

11.3.0 PREVENTIVE MAINTENANCE KIT - 2008K SERIES

PART NUMBER	DESCRIPTION
190098	ANNUAL PREVENTIVE MAINTENANCE KIT
190878	SEMI ANNUAL PREVENTATIVE MAINTENANCE KIT

190098 – CONTENTS

PART NUMBER	DESCRIPTION	QTY
150570	CHECK VALVE (#63) - UF PUMP 151b	1
150568	CHECK VALVE (#64) - 3 GRAM	1
330636-02	FILTER SCREEN WASHER, 149 MICRON, SS	1
563025	OUTLET SPRING	2
565278	INLET SPRING	5
565279	SEAL	6
566307	FILTER	2
F40007099	O-RING (Acid/Bicarb/UF Pump Ports)	6
F40007100	O-RING (Acid & Bicarb connector – base)	2
F40007101	O-RING (Bicarb Tip)	1
579092	O-RING (Acid & Bicarb Handle)	2
579097	O-RING (Dialysate Quick Connect)	2
F40007107	O-RING (Acid Tip)	1
646112	CIRCLIP	2
647565	SNAP RING	2
M48341	TITO FILTER 5.5 MM BARB	1

190878 – CONTENTS

PART NUMBER	DESCRIPTION	QTY
566307	FILTER SCREEN	2
F40007101	O-RING (Bicarb Tip)	1
579092	O-RING (Acid & Bicarb Handle)	2
579097	O-RING (Dialysate Quick Connect)	2
F40007107	O-RING (Acid Tip)	1
M48341	TITO FILTER 5.5 MM BARB	1

11.3.1 PREVENTIVE MAINTENANCE KIT – 2008T

PART NUMBER	DESCRIPTION
191108	2008T ANNUAL PREVENTIVE MAINTENANCE KIT
191107	2008T SEMI ANNUAL PREVENTATIVE MAINTENANCE KIT**

191108 – CONTENTS

PART NUMBER	DESCRIPTION	QTY
150570	CHECK VALVE (#63) - UF PUMP 15lb	1
150568	CHECK VALVE (#64) - 3 GRAM	1
330636-02	FILTER SCREEN WASHER, 149 MICRON, SS	1
563025	OUTLET SPRING	2
565278	INLET SPRING	5
565279	SEAL	6
566307	FILTER	2
F40007099	O-RING (Acid/Bicarb/UF Pump Ports)	6
F40007100	O-RING (Acid & Bicarb connector – base)	2
F40007101	O-RING (Bicarb Tip)	1
579092	O-RING (Acid & Bicarb Handle)	2
M42674	O-RING (Dialysate Quick Connect)	2
F40007107	O-RING (Acid Tip)	1
646112	CIRCLIP	2
647565	SNAP RING	2
M48341	TITO FILTER 5.5 MM BARB	1

191107 – CONTENTS

PART NUMBER	DESCRIPTION	QTY
566307	FILTER SCREEN	2
F40007101	O-RING (Bicarb Tip)	1
579092	O-RING (Acid & Bicarb Handle)	2
M42674	O-RING (Dialysate Quick Connect)	2
F40007107	O-RING (Acid Tip)	1
M48341	TITO FILTER 5.5 MM BARB	1

**NOTE: All 2008T machines are qualified for semi-annual PM.

11.3.2 ONE YEAR PREVENTATIVE MAINTENANCE KIT (2008T BLUESTAR)

PART NUMBER DESCRIPTION
191175 ONE YEAR PREVENTATIVE MAINTENANCE KIT

191175 CONTENTS

PART NUMBER	DESCRIPTION	QTY
150570	CHECK VALVE (#63) - UF PUMP 15lb	1
150568	CHECK VALVE (#64) - 3 GRAM	1
330636-02	FILTER SCREEN WASHER, 149 MICRON, SS	1
566307	FILTER SCREEN, INSERT, MOLDED, SILICONE	2
F40007100	O-RING (Acid & Bicarb connector – base)	2
F40007101	O-RING (Bicarb Tip)	1
579092	O-RING (Acid & Bicarb Handle)	2
M42674	O-RING (Dialysate Quick Connect)	2
F40007107	O-RING (Acid Tip)	1
646112	CIRCLIP	2
647565	SNAP RING	2
M48341	TITO FILTER 5.5 MM BARB	1

11.3.3 TWO YEAR PREVENTATIVE MAINTENANCE KIT (2008T BLUESTAR)

PART NUMBER DESCRIPTION
 191174 TWO-YEAR PREVENTATIVE MAINTENANCE KIT

191174 CONTENTS

PART NUMBER	DESCRIPTION	QTY
150570	CHECK VALVE (#63) - UF PUMP 151b	1
150568	CHECK VALVE (#64) - 3 GRAM	1
330636-02	FILTER SCREEN WASHER, 149 MICRON, SS	1
566307	FILTER	2
F40007099	O-RING (Acid/Bicarb/UF Pump Ports)	6
F40007100	O-RING (Acid & Bicarb connector – base)	2
F40007101	O-RING (Bicarb Tip)	1
579092	O-RING (Acid & Bicarb Handle)	2
M42674	O-RING (Dialysate Quick Connect)	2
F40007107	O-RING (Acid Tip)	1
646112	CIRCLIP	2
647565	SNAP RING	2
M48341	TITO FILTER 5.5 MM BARB	1
F40014767	VALVE SPRING SET, UF/BIC/ACID PUMP <small>INCLUDES: UF PUMP - INLET SPRING/SEAL ASSEMBLY (QTY: 1), UF PUMP - OUTLET SPRING/SEAL ASSEMBLY (QTY: 1), CONCENTRATE PUMP - INLET SPRING/SEAL ASSEMBLY (QTY: 2), CONCENTRATE PUMP - OUTLET SPRING/SEAL ASSEMBLY (QTY: 2)</small>	1

11.4.0 INTEGRATED AUTO DISINFECT (IAD) KIT

SEQ.	PART NUMBER	DESCRIPTION
1	190679	KIT, INTEGRATED AUTO DISINFECT* INCLUDES ITEM 2, SPECIAL FEATURES EEPROM & INSTRUCTIONS
2	M43650	INLET/DRAIN TUBING SIL. BLUE/BLACK 3 MTR* TUBING FOR INTEGRATED AUTO DISINFECT (IAD) KIT – INCLUDES CLAMPS

11.5.0 ELECTROSTATIC DISCHARGE KIT (ESD) KIT

SEQ.	PART NUMBER	DESCRIPTION
1	190111	FIELD GROUNDING KIT*
2	190113	ESD GROUND HARNESS* (COMES IN ITEM 1)

*ITEM NOT ILLUSTRATED.

Helpful Info

To order a spare part:

If the part number is known call: 800-227-2572 – **Option 3** – Spare Parts Department to place the order.

If the part number is not known, first look in this manual. If unable to find call:
800-227-2572 – **Option 4**, then **Option 1** – Technical Support to obtain the desired part number.

Technical documentation update notifications are available via email. To subscribe go to:
<http://www.fmcna.com>

Fresenius Medical Care North America

Manufactured by:
Fresenius USA, Inc.
4040 Nelson Avenue
Concord, CA 94520
800 227-2572

<http://www.fmcna.com>