

Fresenius Medical Care SERVICE BULLETIN

Equipment: 2008K Hemodialysis Machines
Bulletin: 05-FRK-003 Rev A
Subject: Acid Pumps with Blue Ports

Written By	Reviewed By	Approved By	Effective Date
J. Fox (TSD)	Robert Hassard	ECO# 16380	7.14.05

Distribution: Dir TS (M. Lowery), TS Mgr (K. Cogswell), Dir QS (M. Owen), QE (R. Fox), Dir Eng (D. Gavin), DTS (M. Crnkovich), Tng (B. Hassard)

1.0 PURPOSE

To inform all Field Service and Technical Support personnel of the possibility of having blue outputs ports on both the acid and the bicarbonate pumps.

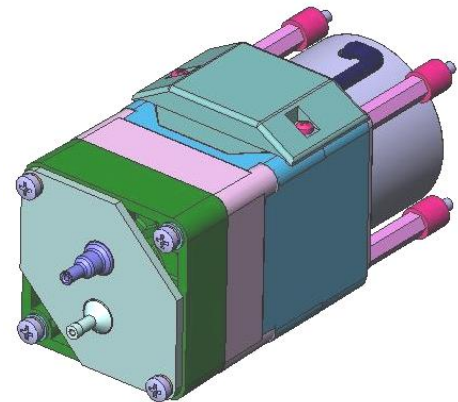
2.0 SCOPE

Fresenius is using a universal hydraulic assembly (M35980) in production of 2008K hemodialysis machines. These hydraulics were designed for use on machines equipped with the Online Clearance (OLC) option. The configuration of OLC hydraulics requires that the acid pump have a weak spring installed in both inlet and outlet ports. Since this spring configuration matches the bicarbonate pump the universal hydraulic assembly is constructed using two bicarbonate pumps. One of these bicarbonate pumps is used and calibrated as an acid pump. The only noticeable difference in having a bicarbonate pump used as an acid pump is that it has a blue outlet port instead of red.

In some cases, the universal hydraulic assembly is used on machines without the OLC option. When this happens, the acid pump is reconfigured in production with a strong outlet spring instead of the weak one, the blue port is not replaced and the part number on the pump is changed to represent a non-OLC acid pump.

The port color may cause confusion if it is referenced during preventive maintenance. Other than this, the pump works properly configured with this blue port.

If desired, red ports are available at additional cost using part number 670770.



If there are any questions regarding this bulletin, contact Fresenius Technical Support at 800-227-2572 x7003.