

Fresenius Medical Care North America Service Bulletin

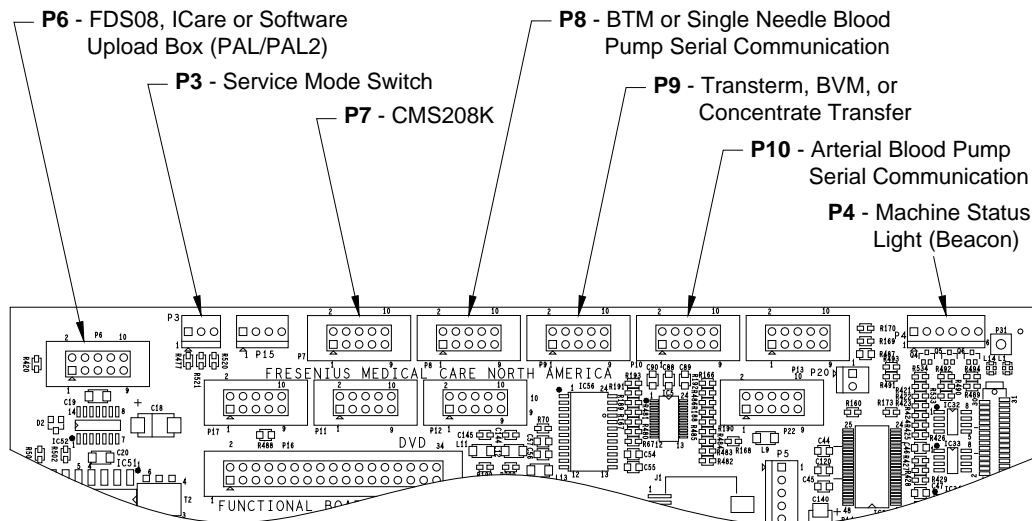
Equipment: All Hemodialysis Machines
 Bulletin: 05-FRS-001 Rev C
 Subject: Functional Board Connector Usage (Update)

1.0 PURPOSE

To provide all Field Service and Technical Support personnel as well as Fresenius Medical Care-trained customers with a description of the usage of each connector on the top edge of the functional boards for the 2008K, 2008K², 2008K@HOME and 2008T hemodialysis machines.

2.0 DESCRIPTION

The following figures show where each component cable plugs into which connector on top of the functional board. Choose the figure that represents your machine.

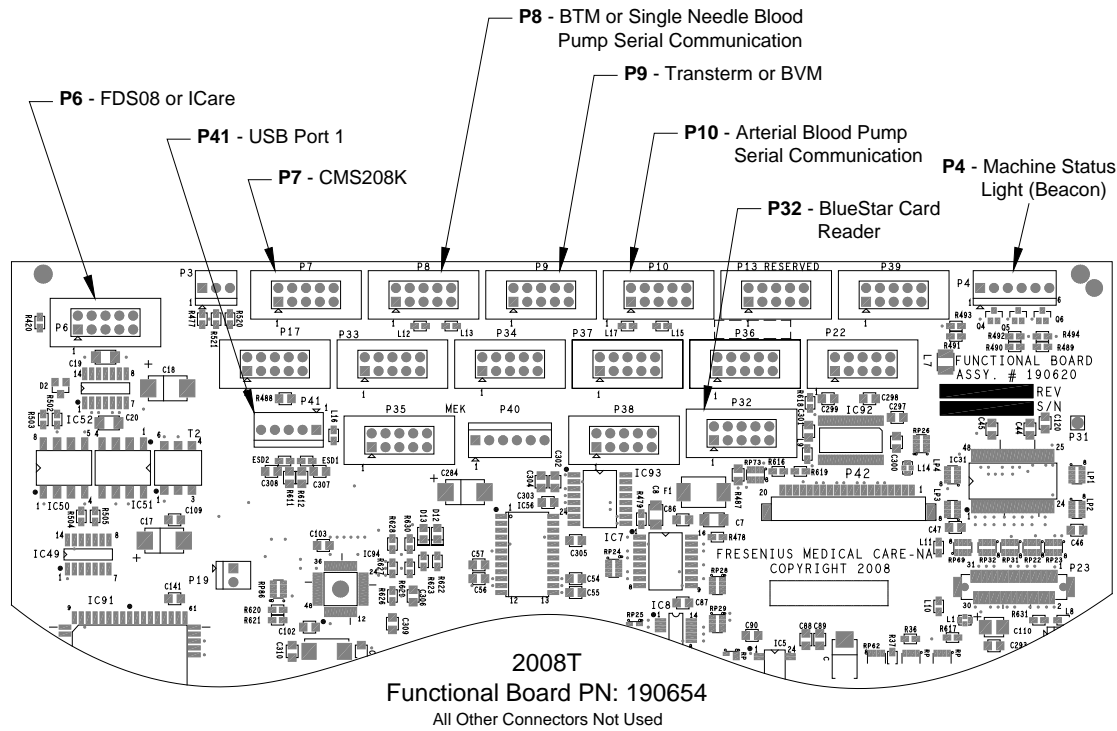
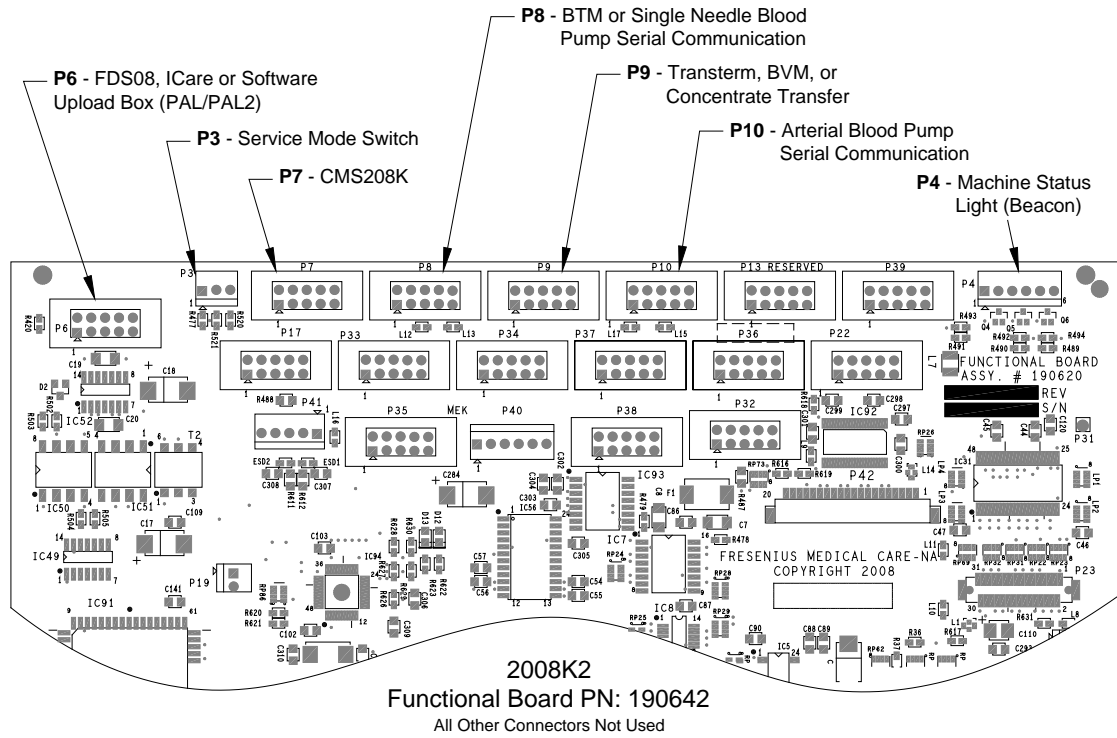


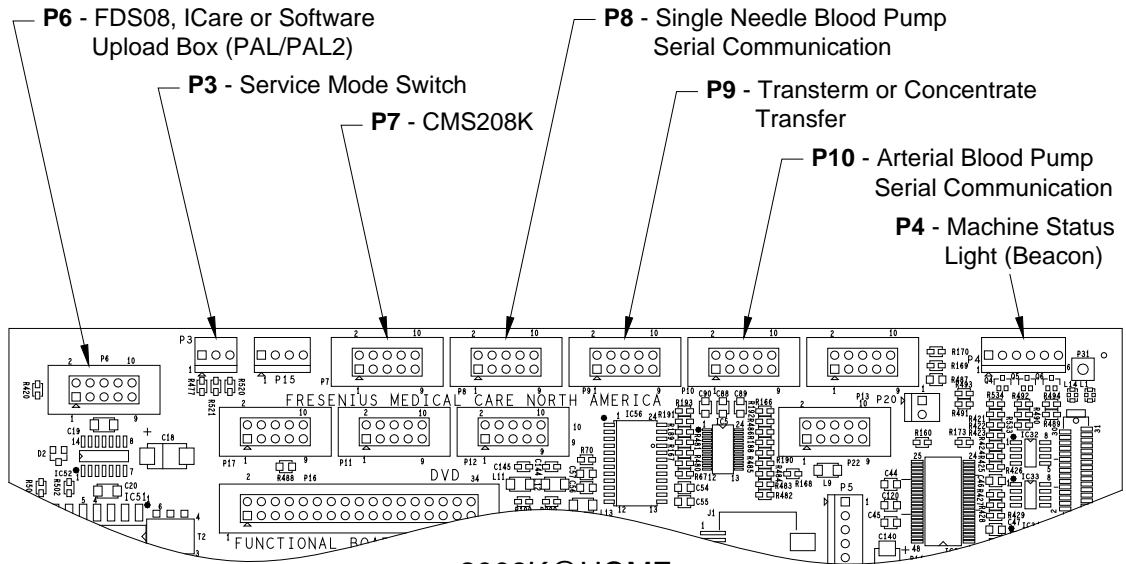
2008K Functional Board PN: 190193

All Other Connectors Not Used
 (PN 190171 Similar)

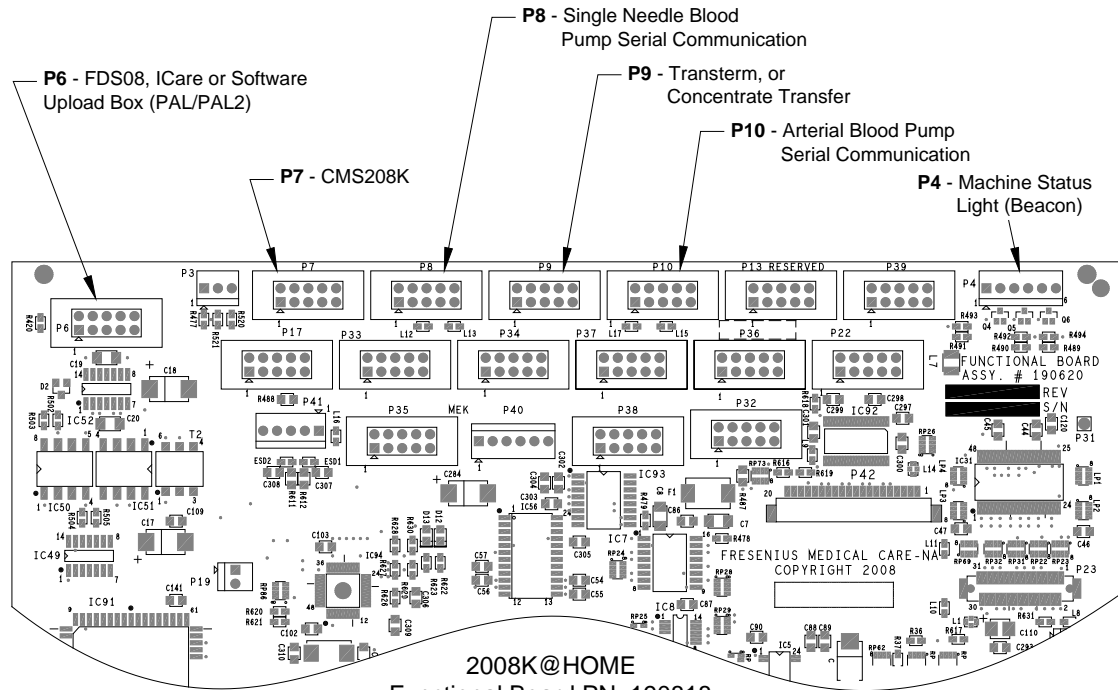
If there are any questions regarding this bulletin, contact Fresenius Medical Care Technical Support at 800-227-2572

© 2005 - 2018, Fresenius Medical Care North America, All rights reserved.





2008K@HOME
 Functional Board PN: 190441
 All Other Connectors Not Used



2008K@HOME
 Functional Board PN: 190818
 All Other Connectors Not Used