

# Fresenius Medical Care SERVICE BULLETIN

Copyright © 2005 Fresenius USA, Inc

Equipment: GranuFlo®  
Bulletin: 05-GRN-002 Rev. A  
Subject: Redesigned Starter Installation

Originated By (Dept):	Reviewed By	Approved By	Effective Date
J. Fox (TSD)	Robert Hassard	ECO# 15550	4/28/05

Distribution: Dir TS (M. Lowery), TS Mgr (K. Cogswell), QS (M. Owen), QE (R. Fox), Eng (D. Gavin), Prod MGR (B. Rogers), Tng (B. Hassard)

## 1.0 PURPOSE

To provide all Field Service and Technical Support personnel of the change to the 132 Gallon GranuFlo® Starter and to clarify its installation and electrical connections.

## 2.0 IDENTIFICATION

The GranuFlo® Starter (P/N G79-000-14) has been redesigned and the original style is no longer available. Figure 1 shows the difference between the starter types.

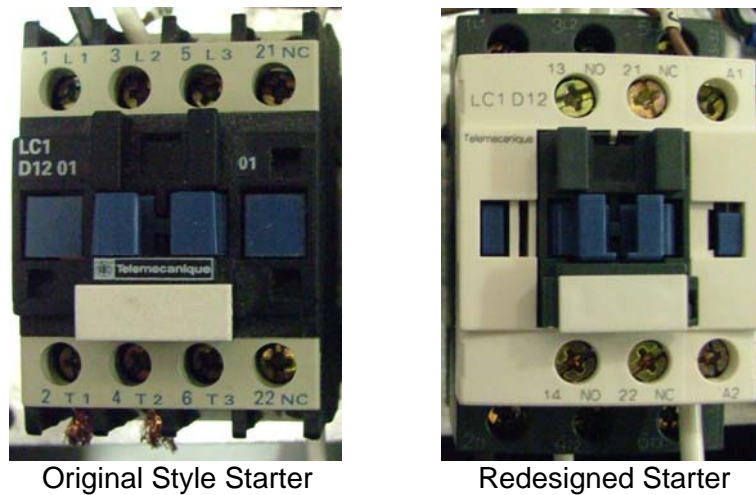


Figure 1

When replacing an original Starter, there is a difference in how the new redesigned Starter mounts and how the wires connect. The following will help in the replacement of either the Transfer Pump Starter or the Mixer Motor Starter.

**Warning!** Dangerous high voltage is present at the Starters. Ensure the GranuFlo® power plug is disconnected from the wall outlet before replacing either Starter.

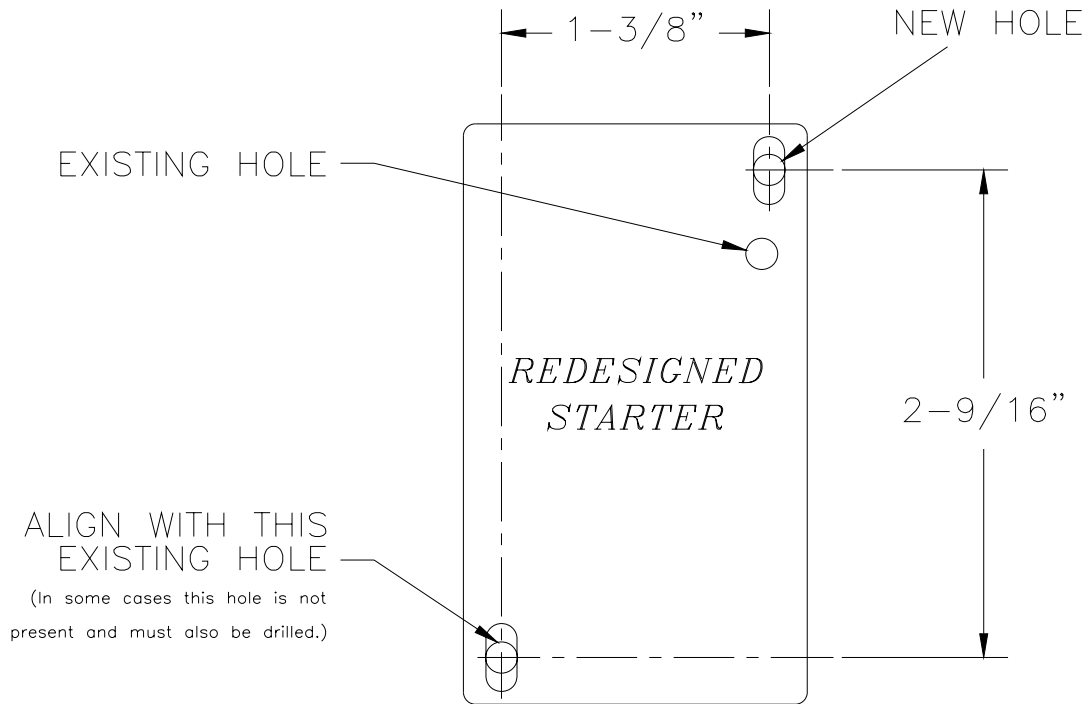
### 3.0 MOUNTING REDESIGNED STARTER

1. Remove the wires from the original starter.
2. Remove the two (2) screws attaching the starter to the plate. Retain this hardware.

**NOTE:** In some cases access to the nuts on the bottom of the mounting plate is necessary. To gain access remove the 6 nuts securing the mounting plate to the bottom of the controller box assembly. Remove the 8 screws securing the rear plate to the back of the controller box assembly. Note their position and remove the black, white and green wires from the main power switch leading to the mounting plate. The mounting plate can now be removed out the rear opening by tilting and angling the plate.

3. Once the original starter has been removed align Template A over the existing threaded hole noted on the template and mark the location for a new hole.

**NOTE:** In some cases the existing holes are not like the template and two (2) new holes must be drilled. In this case, align the template so that the existing holes are covered and the template aligns with the other starter. Mark the location for two (2) new holes.



**TEMPLATE A**  
**(1:1 Scale)**

4. Use one of the following methods to mount the redesigned starter:
  - If one hole was marked in step 3, drill a 5/32" hole through the plate at the marked location. Mount the redesigned starter reusing the hardware for the threaded hole and a screw (P/N 330913-07-01), a lock washer (P/N 330606-03-01) and a nut (P/N 330611-03-01) to secure the other corner of the starter. The lock washer and nut go under the plate.
  - If two holes were marked in step 3, drill a 5/32" hole through the plate at the marked locations. Mount the redesigned starter with a screw (P/N 330913-07-01), a lock washer (P/N 330606-03-01) and a nut (P/N 330611-03-01) to secure the two corners of the starter. The lock washer and nut go under the plate
5. If the mounting plate was removed in step 2 the following must be done:
  - Reposition the mounting plate over the 6 studs and secure the nuts.
  - Reattach the black, white, and green wires to the main power switch using their noted positions.
  - Secure the rear plate to the controller box assembly using the 8 screws and washers.

#### 4.0 STARTER WIRING COMBINATIONS

The following figures will help in the wire connections of either starter replacement.

- Figure 2 illustrates the wire configuration where both Transfer Pump Starter and the Mixer Motor Starter are the original style.

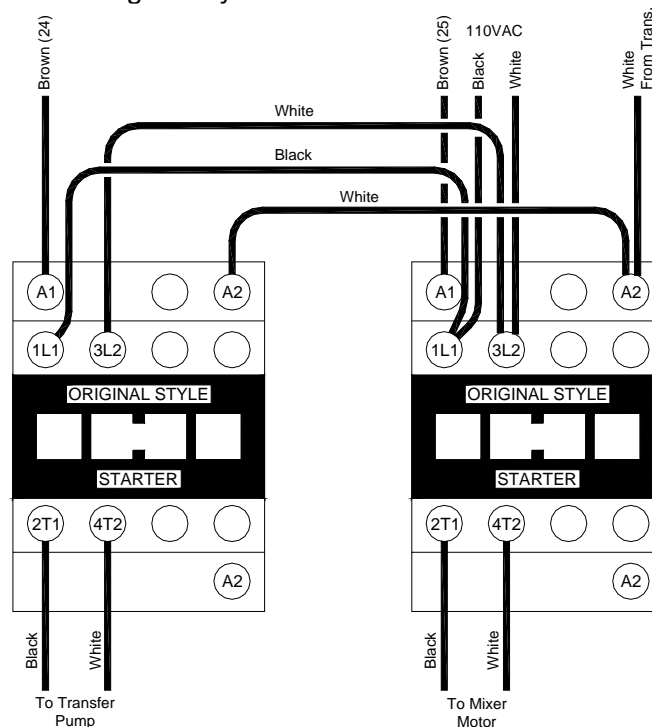
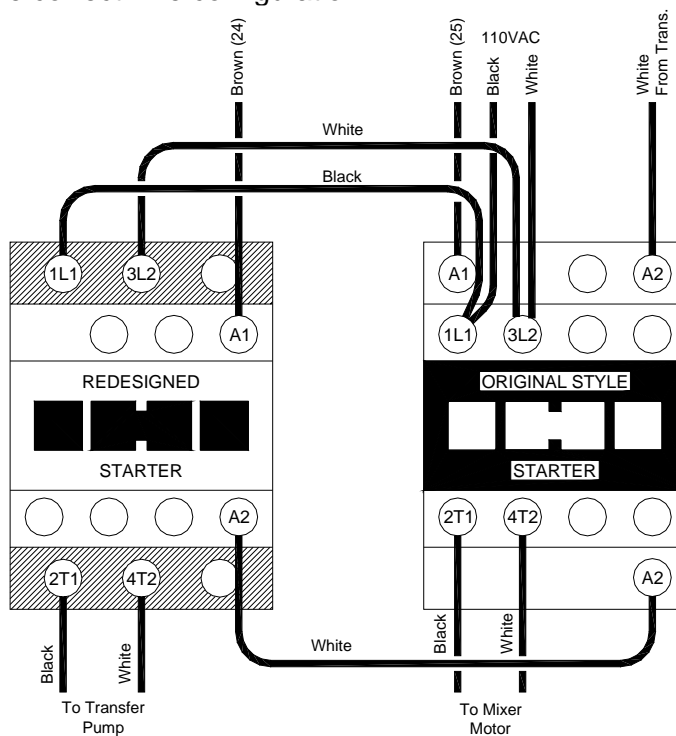


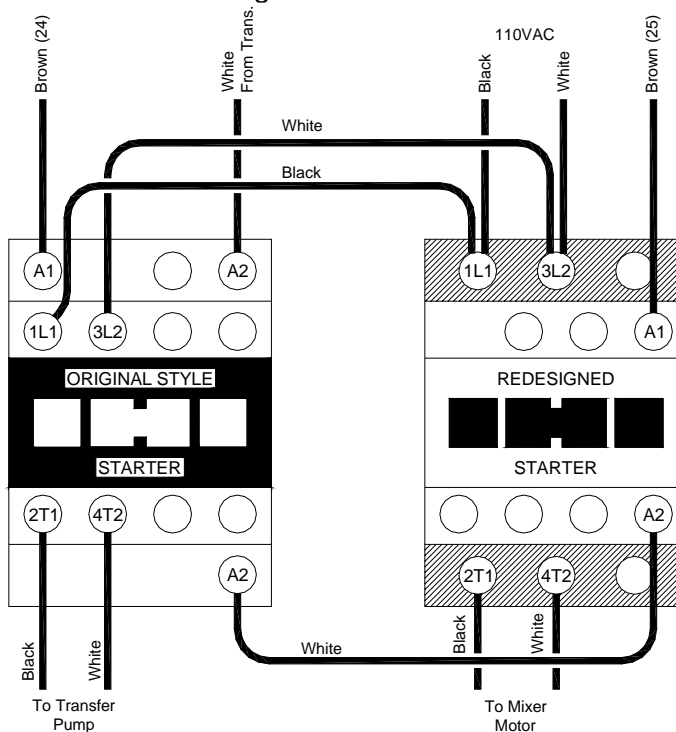
Figure 2

- When replacing an original style Transfer Pump Starter with a redesigned Starter, refer to Figure 3 for the correct wire configuration.



**Figure 3**

- When replacing an original style Mixer Motor Starter with a redesigned Starter, refer to Figure 4 for the correct wire configuration.



**Figure 4**

- When replacing both original style Starters with redesigned Starters, refer to Figure 5 for the correct wire configuration.

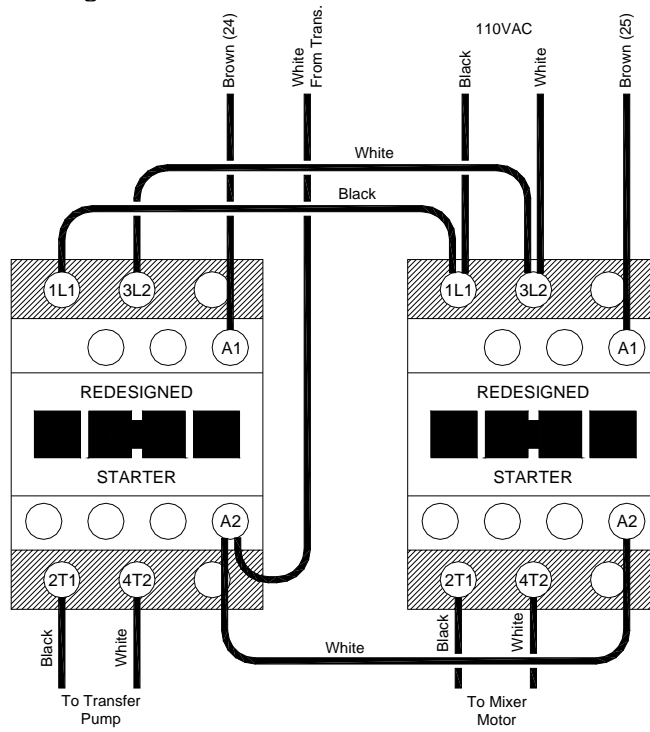


Figure 5

If there are any questions regarding this bulletin, contact Fresenius USA Technical Support at 800-227-2572 x7003.