

Fresenius Medical Care SERVICE BULLETIN

Copyright © 2006 Fresenius USA, Inc

Equipment: GranuFlo® II
Bulletin: 06-GRN-004 Rev. A
Subject: Mid-Level Sensor Upgrade

| Originated By (Dept): | Reviewed By: | Approved By: | Effective Date: |
|-----------------------|------------------|--------------|-----------------|
| J. Fox (TSD) | Brooks E. Rogers | ECO# 19384 | 11/10/06 |

Distribution: Dir TS (B. Rogers), TS Mgr (K. Cogswell), QS (M. Owen), QE (R. Fox), Eng (D. Gavin), Tng (J. Barr)

1.0 PURPOSE

To inform all Field Service and Technical Support personnel of an upgrade for the original Mid-Level Sensor Conductivity Probe with a Mechanical Float Switch on the GranuFlo® II Dissolution Tank.

2.0 SCOPE

The original Mid-Level Sensor Probe on the GranuFlo® II Dissolution Tank utilizes conductivity to determine the presence of solution. Locations that provide a treated water supply with very high resistivity water may experience occasional over filling at the Mid-Level Sensor.

To remedy this condition, an upgrade kit has been developed to replace the Mid-Level Conductivity Probe with a Mechanical Float Switch. The new Mechanical Mid-Level Sensor (see Figure 1) and Installation Instructions are available as a kit by contacting Fresenius Spare Parts* and ordering part number 160104.

NOTE: The installation of the Mechanical Mid-Level Sensor requires a 1½” hole to be drilled through the metal electrical panel and 5/8” hole through the side of the Dissolution Tank (see Figure 2). These tools are not supplied in the kit.

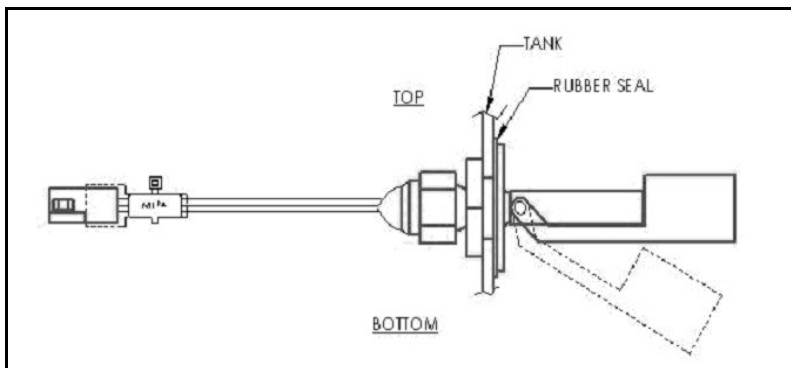


Figure 1 – New Mechanical Mid-Level Sensor



Figure 2 - New Mounting Holes

* Fresenius Spare Parts: 800-227-2572 x7004

If there are any questions regarding this bulletin, contact Fresenius Technical Support at 800-227-2572 x7003.