

Handi-Guide

A Patient's Reference to the Most Commonly Asked Questions About the Liberty® Select Cycler



Liberty®
Select
united with stay-safe®

This information is not intended to replace the advice or training from your physician or PD nurse. Please refer to the Instructions For Use (IFU) for detailed information on device description, instructions, contraindications, warnings and precautions.

Table of Contents

Introduction to Liberty Select Cyclers.....	1
Treatment Based and Cycle Based Therapies.....	2
Cycler Set-Up Procedure.....	3
Operation Questions.....	11
Alarms.....	15
Warning Messages.....	16
Different People Drain Differently.....	17
Drain Complications.....	18
Drain Options.....	19
Overfill.....	20
Power Failure.....	21
Bypassing.....	23
Disconnecting.....	24
Cleaning.....	25
Liberty Select Cycler Options.....	26
Liberty Select Cycler Therapy Settings.....	29
Index.....	32

This Liberty Select Handi-Guide is designed to answer many of the questions that you may have when you start using your Liberty Select cyclor at home.

This Handi-Guide is not intended to replace the advice or training from your doctor or peritoneal dialysis (PD) nurse. Please refer to the Liberty Select Cyclor User's Guide for detailed information on device description, instructions, contraindications, warnings and precautions. With this and all other peritoneal dialysis procedures, always use aseptic technique. This information is provided for QUICK REFERENCE only. Please follow the directions as they appear on the Liberty Select cyclor screens.

Another important and helpful reference is the Liberty Select Initiating Treatment Procedure Card. If we haven't addressed your concerns or if you have any other questions, you can always call your doctor or PD nurse at your dialysis unit or a Fresenius Medical Care Technical Support Representative at 800-227-2572.

This document is for software versions 2.8.7 and 2.8.8 (Liberty Select cyclor).

The Liberty Select cycler may be programmed to deliver either Treatment Based therapy or Cycle Based therapy.

TREATMENT BASED THERAPY means that your total treatment time will be programmed into your cycler. Your cycler will deliver your treatment in the specified amount of time. This method is useful for people who need to finish treatment by a certain time in the morning in order to meet other obligations, such as going to work.


CYCLE BASED THERAPY means the prescribed dwell time will elapse before solution is automatically drained. This ensures that the time prescribed to filter waste and remove excess fluid is not shortened.


NOTE: Depending on your treatment results, your doctor or PD nurse may switch you from Treatment Based to Cycle Based or the reverse. Patients may experience fewer drain complication alarms using Treatment Based than Cycle Based therapy. If you are in Cycle Based therapy and experiencing drain complications, you may want to discuss switching therapy types with your doctor or PD nurse.


How do I insert the Liberty cassette?

1. Make sure that the Liberty Select cycler is positioned near the front of the table or cart so that all lines can hang freely from the cassette.
2. Check the package label on the Liberty cycler set to ensure it is not past its expiration date, and then remove the cycler set from its packaging. Inspect the cycler set to make sure it is free from kinks or damage. Look for scratches, loose tubing, or small holes in the cassette film.

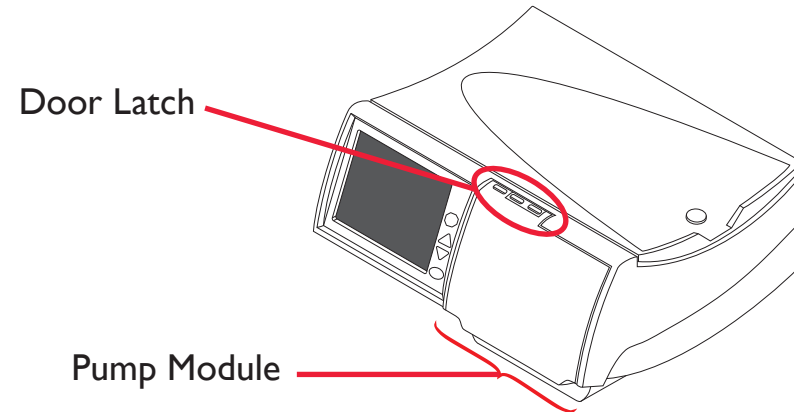
 **CAUTION:** Use caution when touching the cassette film to prevent damage.

 **WARNING:** A damaged cassette can cause PD solution to leak into the cycler and is a potential risk for contamination. Notify your PD nurse if you find a fluid leak.


 **WARNING:** DO NOT USE the set if it is damaged. Put the damaged set aside and immediately call Customer Service at 800-323-5188 to arrange a pick-up to return the damaged set.


 **CAUTION:** DO NOT insert the cassette until the cycler prompts you with the on-screen instructions. If you attempt to insert it at any other time, the cassette will not snap properly into place and the door will not close.

3. Firmly push the door latch to open the cassette door.



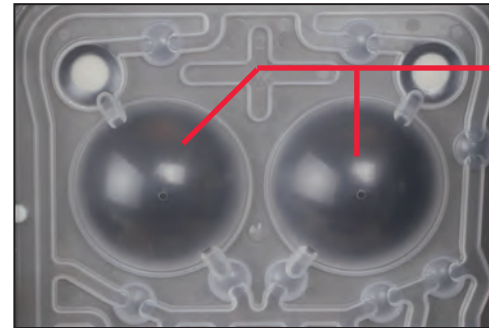
 **CAUTION:** Avoid touching any of the sensors inside the cassette door, as this could cause damage to the pump module.

 **CAUTION:** The cassette door is pressurized. Do not attempt to open the cassette door until your machine instructs you to do so.

 **WARNING:** Check that the pump module is clean and free from obstructions before inserting the cassette. Keep fingers clear of moving parts.

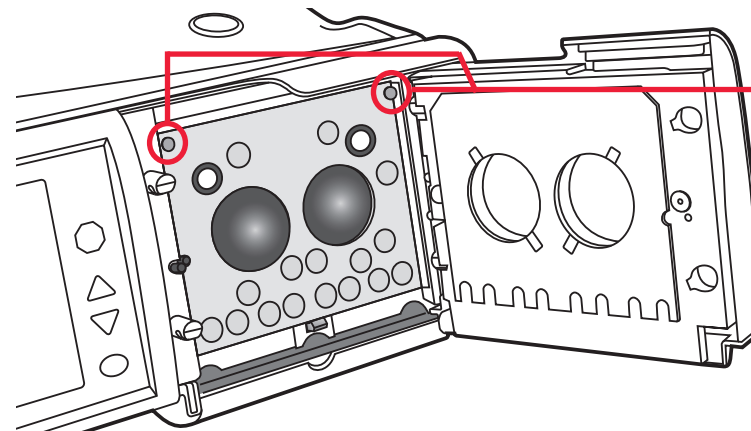
Cycler Set-Up Procedure

4. Hold the cassette with the plastic domes facing outwards (towards you).



Cassette Domes

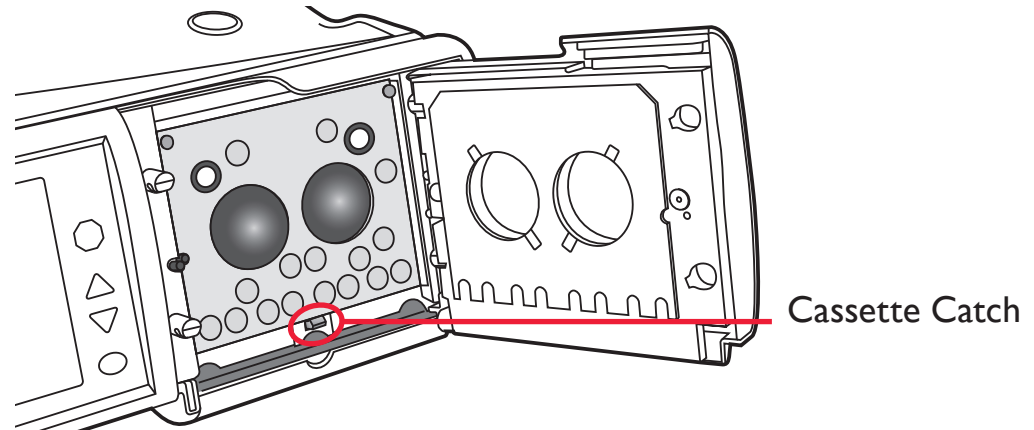
5. To insert the cassette, first slide the cassette up and under the metal guide pins at the top of both sides of the pump module.



Guide Pins

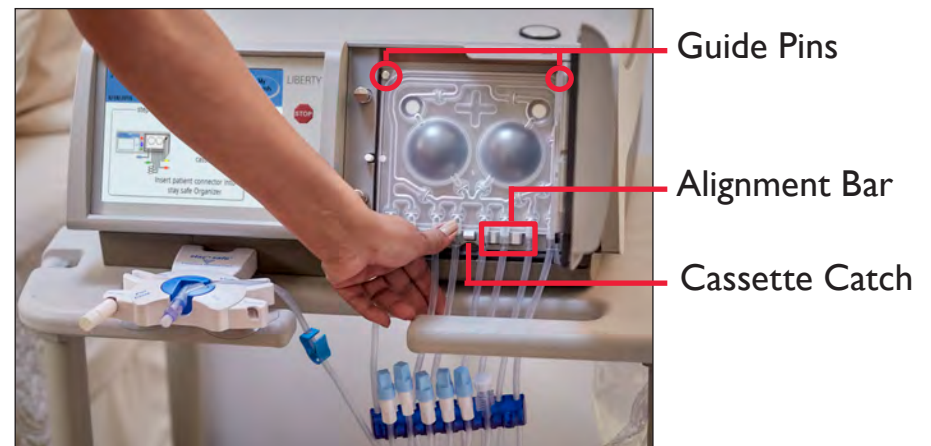
Cycler Set-Up Procedure

6. Next, place your fingers on the cassette as shown and push the cassette into place. Make sure the cassette has snapped into place into the cassette catch at the bottom of the pump module.



NOTE: The cycler operates the same with or without an alignment bar. The same cassette insertion technique should be used for cyclers with or without an alignment bar.

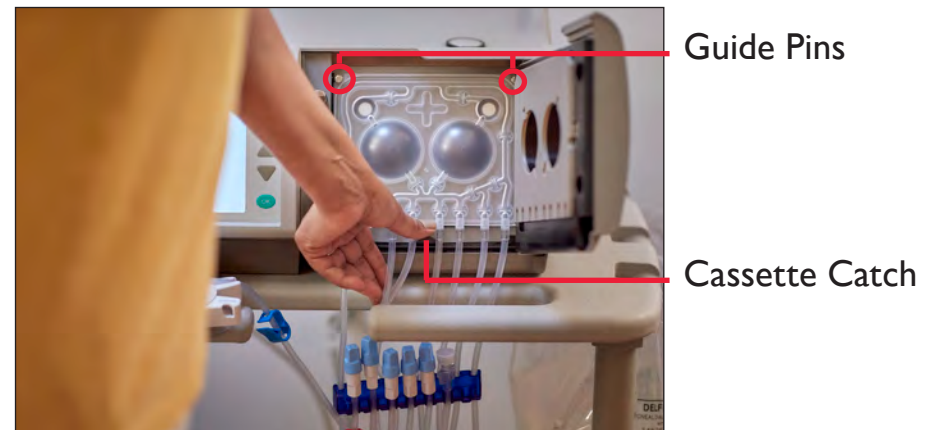
7. If your cycler *has* an alignment bar, make sure the tubing is hanging down over the alignment bar and in front of the cycler, as shown to the right.



Cycler with Alignment Bar

Cycler Set-Up Procedure

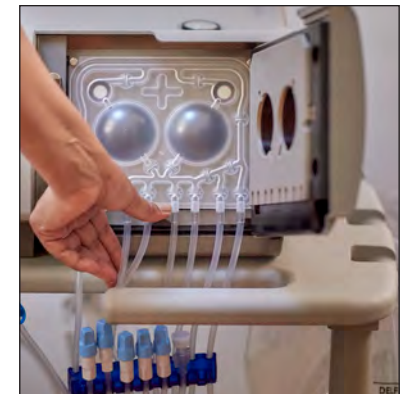
If your cycler *does not have* an alignment bar, make sure the tubing is hanging freely down in front of the cycler, as shown to the right.



Cycler without Alignment Bar

8. Next, look to make sure the cassette has been inserted properly:

- The cassette should be under both guide pins, snapped in place, and resting on the cassette catch.
- If using a cycler cart, make sure the tubing is hanging down freely behind the handle, as shown to the right.
- If using a nightstand, make sure the tubing is hanging down freely over the front of the nightstand.



Tubing Behind Cart Handle

9. Insert your stay•safe PIN connector into the stay•safe organizer clip below the control panel. See the next page for further instructions.

10. Finally, gently close the cassette door. Ensure the cassette door clicks into place to lock it.



CAUTION: Do NOT force the door closed. If you are having trouble closing the door, open the cassette door and make sure the cassette has been inserted correctly.

When and how do I put the stay•safe® PIN connector on the patient line (blue clamp) into the stay•safe organizer?

- As instructed on the screen, once the cassette is inserted, insert your stay•safe PIN connector into the stay•safe organizer clip below the control panel by inserting it into the slot with line pointing upward.

NOTE: See Fig.1, showing the use of the Liberty cycler set with a dual PIN connector.

- Be careful not to twist or push in the PIN connector, which could release the PIN prematurely.
- Rotate the tubing so that the line is secured into the tubing channel on the right.

NOTE: If you need to clean your stay•safe organizer, it can be washed with warm soapy water or can be placed in the top rack of your dishwasher.



Fig. 1

Do not push in the stay•safe PIN connector until the end of the treatment, unless prompted to disconnect for a pause.

How many solution bags can be placed on the heater tray?

To decrease the chance of contamination, solution bags should be on a flat surface with the ports facing you while connecting. Do not place more than two solution bags at one time on top of the heater tray during the connection process. Make sure that the heater bag is the only bag on the heater tray before going to the next step. Connect heater bag to line with RED clamp, additional solution bags to lines with WHITE clamp, and last bag to last bag option with GREEN clamp, if required.

Once connected, the solution bags must be removed from the heater tray. The heater bag with the red line clamp must then be positioned properly on the heater tray covering the silver bag sensor.

- Obtain the package insert that is included in each case of solution bags and follow the specific instructions under “Directions for Use” to initiate solution flow.
- Make sure the cone is broken completely. A white retaining guide should be visible.
- You may use the Handi-Tool to assist you in breaking the cones.

Why does the Liberty Select cycler ask for information about a daytime manual exchange?

If you do a manual exchange using continuous ambulatory peritoneal dialysis (CAPD) in addition to exchanges automatically delivered by the Liberty Select cycler, you will need to enter **YES** for **daytime exch.**, and the **manual fill volume** before proceeding. This is important because the Liberty Select cycler must know how much drain volume to expect in order to ensure that Drain 0 drains enough solution before proceeding.

Daytime Exchange

6/18/2016 4:57 PM

My Treatment My Settings My Records

Enter daytime manual exchange information

Did you do a daytime manual exchange?

daytime exch.
YES

How much did you fill yourself after draining?

manual fill volume
1000 mL

Next ▶

Press next to continue

What if the dwell time is shorter than expected?

In Treatment Based mode, your cyclor will adjust the dwell time based on the total time programmed, the number of cycles, as well as the time it takes for each drain and fill. If a drain or fill cycle takes longer than estimated by your cyclor, the dwell time will be shortened to make sure you end treatment on time.

In Cycle Based mode, your dwell time will not be shortened.

What if the alarm volume is too soft or too loud?

When you receive your Liberty Select cyclor, the alarm volume is preset to five (5), with one (1) being the softest volume, and 20 being the loudest.

Set the alarm loudness number while in a quiet room, similar to when you are sleeping. If you sleep without your hearing aids, be sure to remove them before setting the loudness number.

To change the alarm loudness:

- Touch the **My Settings** button and select the Hardware tab.
- Touch the yellow **alarm loudness** box. It will turn orange.
- Use the **Up/Down** arrow keys to change the setting.
- Press **OK**. The box will now turn yellow, indicating that you have set the alarm loudness.

How do I use the IQdrive for the first time or with a new prescription?

Put the rectangular metal end of the IQdrive into the slot in the upper left back panel of the Liberty Select cycler. Turn the Liberty Select cycler on. The drive is designed to fit one way. Be sure it fits snugly.

NOTE: Once you have inserted the IQdrive properly, the screen should display a message asking if you want to program the cycler with the new IQdrive settings. If this message is NOT displayed, call your PD nurse. You may be asked to access the **My Settings/Options** tab and set **USB enabled** option to **YES**.



This is an example of an IQdrive (USB).
IQdrive models may change.

How do I use the IQdrive for the first time or with a new prescription? *(Continued)*

You may choose to **Accept** or **Reject** the new settings or view **Current Settings**.

If you choose **Current Settings**, the display will show the patient settings on your cyclor. From here, you have the option to press the **IQdrive Settings** button, which will take you back to the previous screen. By pressing the **Accept** button, the settings on the IQdrive will overwrite the settings on your cyclor. By pressing the **Reject** button, the current cyclor settings will be retained and the IQdrive settings will be ignored. If you notice a problem with your prescription on the IQdrive, you can choose to reject it. After selecting **Accept** or **Reject**, your cyclor will move to the Ready screen and you can start treatment.

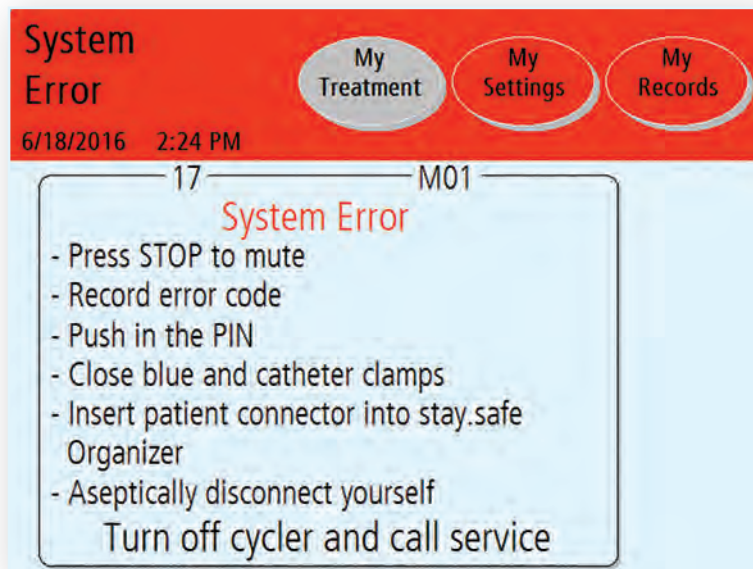


When bringing your IQdrive to your PD nurse, keep it clean and dry. Put it in a plastic bag.

Do not leave it in your car in extreme heat, do not leave it in the bottom of your purse, and keep it away from magnets. Handle with care.

What do I do when I get an alarm?

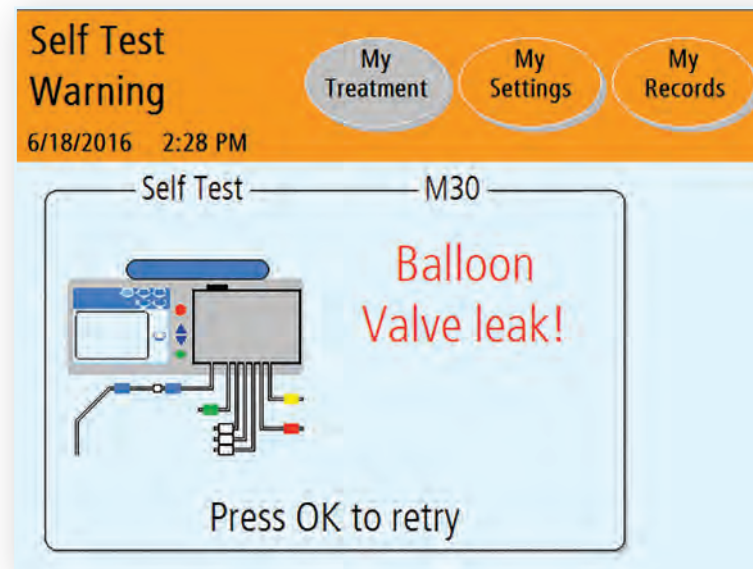
Red status bar alarms indicate a problem that must be reported to a Technical Support Representative at 800-227-2572. Alarms cannot be reset and require you to turn off your cyclor. Before you turn off your cyclor, press the **STOP** key to silence it, then write down the error message and sub-code. This information is located at the top of the main screen underneath the red status bar. You will also be asked for your Liberty Select cyclor serial number and software version, which is located on the top of your cyclor.



For a complete listing of alarms, refer to the Warnings & Alarms section in the *Liberty Select Cyclor User's Guide*.

What do I do when I get a warning?

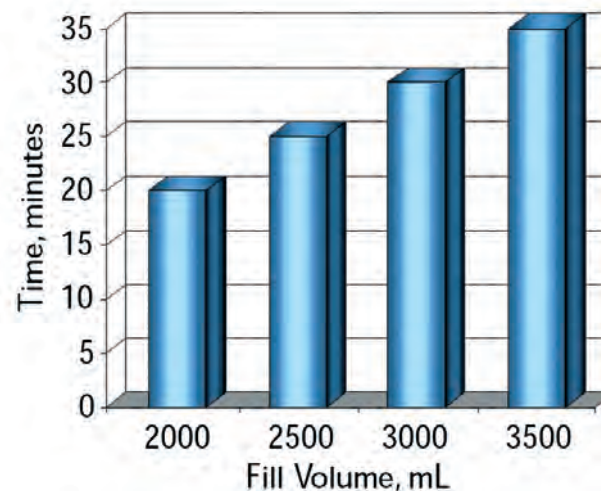
Orange status bar warnings alert you to conditions that need your attention. During a warning your cyclor beeps and the status bar turns to orange. Press the **STOP** key to mute the beeping. Follow the instructions on the screen to clear the warning. The screen will prompt you to press **OK** to retry. If you cannot clear the warning after a few attempts, call a Technical Support Representative at **800-227-2572** for assistance.



How long will I take to drain?

Drain time can be affected by your catheter, your position, and several other factors. If drain time takes longer than expected or programmed, the screen will display a drain complication.

If your cycler is programmed to deliver Cycle Based therapy, you or your PD nurse should program drain time to correspond to your fill volume. The graph below provides a guideline for drain time based on fill volumes. The Liberty Select cycler will not allow a drain time to be programmed that is less than the programmed fill volume divided by 100 mL. For example, if your fill volume is 2500 mL, the Liberty Select cycler will not allow a drain time of less than 25 minutes to be programmed. The default time is 20 minutes.



What should I do if I have a drain complication?

If the Liberty Select cycler displays a drain complication warning, try the following:

- Check that your catheter is not kinked and the clamp is open.
- Check for fibrin or clots in the drain line. If so, contact your PD nurse for instructions.
- Change positions to move fluid within your abdomen.
- Be sure you have not rolled on the patient line.
- Are you constipated? If so, contact your PD nurse for instructions.
- Check that your catheter/extension set is adequately secured.
- If you are unable to clear the drain complication, contact your PD nurse for instructions.
- A completely or partially pushed in PIN can result in a drain complication alarm.
- Be sure the position of your cycler is no more than 12 inches above or below the surface of your bed.
- If your sleep is interrupted due to drain complications, speak to your doctor or PD nurse about trying Treatment Based therapies.

NOTE: You may hear several beeps with the message “Patient line is blocked!” before getting a “drain complication” warning. This is referred to as a “soft alarm.”

What if I need an additional drain at the end of treatment?

The Liberty Select cycler can perform an extra drain at the end of your treatment if your doctor or PD nurse advises it. After your last drain, if **add. drain** option is set to **YES**, the cycler will ask you if you want to do an additional drain.

To set this option to **YES**, touch the **My Settings** button at the top of any treatment screen and then touch the blue options button just below it. Next, touch the yellow **add. drain** button to highlight it. It will turn orange when it is activated. Finally, use the **Up** and **Down** arrow keys to change **NO** (the default setting) to **YES** and press the **OK** key to confirm.

If the **add.drain** alert option is set to **YES**, your cycler will alert you with an alarm sound to choose whether or not to do an additional drain. Follow the same process to set this option to **YES** as you did with the **add. drain** option. If you leave this option set to **NO**, the cycler screen will still prompt you to decide whether you want an additional drain, but without an alarm sound.

STAT drain at the end of treatment: Even if you have not programmed an additional drain, you can still do a STAT drain at the end of treatment. Consult your PD nurse if you are feeling full. A **STAT Drain** button is available on the Treatment Complete screen (step 8). If you choose this option, the cycler will perform a STAT drain and then return you to the Treatment Complete screen.

What is overfill and how do I prevent it?

Increased Intraperitoneal Volume (IIPV), commonly known as overfill, is when you have too much fluid in your abdomen. IIPV/overfill may result in serious injury or death from conditions such as: abdominal wall and/or diaphragmatic hernias, hydrothorax, heart problems including chest pain and heart failure, high blood pressure, pulmonary edema, decreased pulmonary function and pericardial effusion.

Patients and caregivers should watch for the potential signs of IIPV. These include:

- Difficulty breathing
- Feeling full, bloated, or overfilled after treatment
- Expanded or tense abdomen
- Increased blood pressure
- Leakage of fluid from the PD catheter exit site
- Vomiting or spitting up
- Abdominal pain or discomfort
- Chest pain
- Change in mental status

If you experience any of these symptoms, you may perform an immediate STAT drain anytime during fill, pause or dwell, or even at the end of treatment, if you feel uncomfortable or suspect an overfill situation. To perform a STAT drain:

- Press the **STOP** key.
- Press **STAT drain** button on right side of screen. The next screen displays “Are you sure you want to do a STAT drain?”
- Confirm that you want to initiate an immediate drain by pressing **STAT drain**.
- Always let your doctor or PD nurse know that you performed a STAT drain during your treatment.

What happens when there is a power failure?

- All lines will automatically close.
- The pump will stop.
- The touchscreen will go blank.

If the power failure occurs after you have started your treatment, the treatment settings will be stored and your treatment will restart where you left off if the power comes back on within eight (8) hours. An “F” will show up in your records indicating a power failure occurred during that treatment.

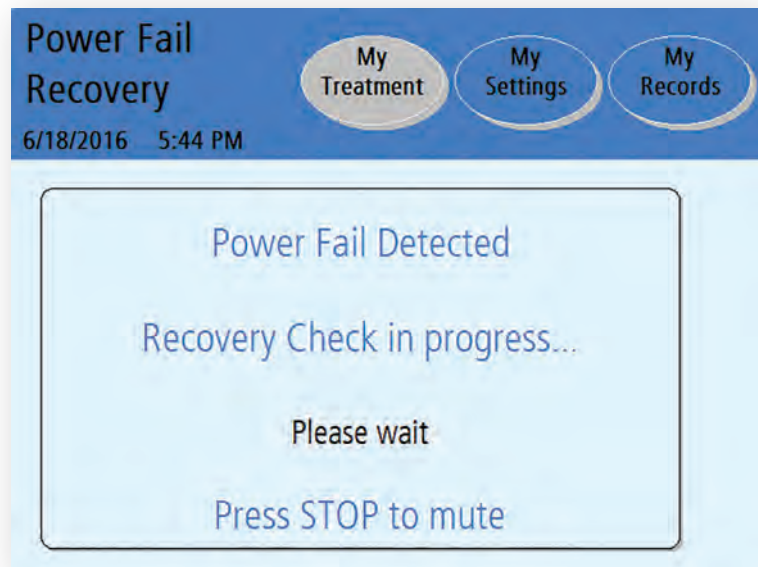
NOTE: Your Liberty Select cyclor must be plugged into a 120V three-prong power outlet.



WARNING! If you are unable to insert the plug into an outlet, contact a Technical Support Representative at 800-227-2572. Do not alter the power cord. Your machine must be plugged directly into the electrical outlet; do not use extension cords or power strips (surge protectors).

What happens when power is restored?

- If the power failure happened during a drain, fill, dwell, or pause, your cyclor will go through a power fail recovery process.
- An audible beep will sound. Press **STOP** to mute the warning.
- Your cyclor will perform a safety check. The status bar will state “Power Fail Recovery” and the screen will read “Power Fail Detected Recovery Check in progress.”
- If your cyclor passes the safety check it will beep again. Press **STOP** to mute and then you may select **Resume Treatment**.
- If your cyclor does not pass the safety check, select **Cancel Treatment** and follow the prompts on the screen to end the treatment. Use new supplies for a new treatment.



NOTE: If the power has been off for more than eight (8) hours, do **NOT** resume treatment. Discuss what to do in the event of a power failure with your PD nurse.

Why can't I bypass during my treatment?

If you attempt to bypass when it is unsafe, your screen will display a message reading “bypass not allowed”. Bypass is not allowed during:

- Drain: if you have not drained enough that overflow can occur after the next fill
- Dwell: if the heater bag has not been refilled with enough solution for next fill
- Pause: if the heater bag has not been refilled with enough solution for next fill



WARNING! You must discuss the risks associated with bypassing, or skipping, any phase of treatment with your doctor or PD nurse. Bypassing may decrease the amount of treatment you receive. You should not bypass Drain 0 unless you have a dry day.


NOTE: Fill can be bypassed anytime.

How do I disconnect from my Liberty Select cyclor?


1. Mask and wash or sanitize hands as instructed by your PD nurse.
2. Twist the blue stay•safe PIN connector $\frac{1}{4}$ turn and then push it in to release the PIN into the extension set.
3. Close patient line (blue clamp).
4. Close catheter extension set clamp.
5. Carefully disconnect the patient line from your extension set and cap off with a new sterile stay•safe cap.
6. Check that your catheter/extension set is firmly anchored in place.

How do I clean my Liberty Select cyclor?

Keep your Liberty Select cyclor clean and dry at all times. Clean the exterior surface of your machine as needed using a damp cloth and a diluted (1:100) bleach solution. After wiping your machine with the damp bleach cloth, re-wipe with a water-dampened cloth.

 **CAUTION:** Do not allow any fluid to drip into your cyclor or onto the pump module. Your cyclor must be OFF when you are cleaning it to prevent fluid from entering the pump module. If any fluid gets inside your cyclor, you must contact a Technical Support Representative immediately at 800-227-2572. Clean fluid spills immediately to prevent moisture from possibly damaging your machine. Your machine should be placed on a water-tolerant surface, and spills should be cleaned up immediately.

 **CAUTION:** Do not touch the white pressure sensors in the pump module. Pressing on the pressure sensors may damage them.

 **CAUTION:** Do not use foaming type cleansers or disinfectants. Do not use spray bottles. Periodically check your Liberty Select cyclor for:

- Damage to the cabinet
- Loose or missing pieces

There is no other preventive maintenance for your cyclor. Any service must be performed by a Fresenius Medical Care service technician. If your cyclor needs service, call a Technical Support Representative at 800-227-2572.

What are my optional settings on the Liberty Select cycler?

The following settings are programmed under the Options tab on the My Settings screen.

- **Add Diurnal UF** – Your PD nurse will tell you whether or not to select **YES** for this option. **YES** includes the ultrafiltration (UF) from drain 0 to be part of the net UF.
- **Language** – Choose from English, Spanish or French.
- **Last Bag Option** – If this option is selected, your cycler will fill you exclusively from the Last Bag option (green clamp) for your last fill. During the last dwell, your cycler will empty the heater bag, fill it from the last bag, warm the fluid and deliver this specific solution for your last fill. If you need more than 24,000 mL total fill volume and do not require a Last Bag option, this last bag line (green clamp) may be used for additional solution.
- **drain exit %** – This option allows you to set 70% or 85% as the minimum volume requirement for completing a drain. This option defaults to 70%. Follow your prescription and your PD nurse's instructions.
- **add. drain (additional drain)** – If this option is selected, you can perform an additional drain after completing the last drain.
- **add. drain alert (additional drain alert)** – If this option is selected, your cycler will alert you with an alarm sound to choose whether or not to do an additional drain.

What are my optional settings on the Liberty Select cycler? *(Continued)*

- SI units – You choose **YES** or **NO**

If you choose **YES**:

Weight - Kg

Blood Glucose - mmol/L

Temperature - °C

If you choose **NO**:

Weight - lb

Blood Glucose - mg/dL

Temperature - °F

- **Personal data** – If you choose **YES** your cycler will display–Your personal health data–at the end of the treatment. Be sure to include your dextrose concentrations.
- **USB enabled** – If you select **YES** for this option, your cycler will automatically look for the IQdrive when your cycler is turned on. If the IQdrive is not inserted into your cycler, it will display a message letting you know it is not in place. You can then insert it and your cycler will detect that the IQdrive is active. Your treatment information will be saved on the IQdrive.

What are my optional hardware settings on the Liberty Select cyclor?

All of the following settings under the Hardware tab of the My Settings page should be entered before you start your first treatment.

- **Alarm loudness** – Can be set between 1 (soft) and 20 (loud)
- **Key loudness** – Can be set between 0 (off) and 20 (loud)
- **Date format** – Can be set as either MM/DD/YYYY or DD/MM/YYYY
- **Date** – Your cyclor arrives with the date already set.
- **Time format** – Can be set as either 12-hour (AM/PM) or 24-hour time
- **Time** – Your cyclor arrives with the date set for the Pacific Standard time zone. Reset the time to your specific time zone by following the directions in your Liberty Select Cyclor User's Guide or on page 26 of this Handi-Guide.
- **Screen blanking** – This option, when set to **YES**, causes the touchscreen to go dark after 10 minutes of inactivity. It stays dark until you touch the screen or a key. If there is an alarm, simply touch the screen to bring up the picture. If this option is set to **NO**, the screen remains lit at the brightness level you selected.
- **Screen brightness** – Can be set between 1 (very dim) and 10 (brightest)

What are the therapy ranges for the Liberty Select cyclor?

- **Total therapy time** – Programmable up to 47 hours and 59 minutes
- **Fill volume range** – 500 mL to 4000 mL (pause and last fill volumes may be 0)
- **Dwell time** – As much as 9 hours and 59 minutes
- **Bag sizes allowed** – 2000 mL, 3000 mL, 5000 mL or 6000 mL
(the heater bag must hold the first fill volume plus 1000 mL)
- **Number of exchanges** – One to 99
- **Number of pauses** – You may or may not be prescribed pauses. Your PD nurse will instruct you on the number of pauses to enter.
- **Maximum total volume** – Each treatment can deliver up to 30,000 mL.
- **Drain time** – 20 to 59 minutes
- **Patient weight** – The dry weight may be set between 44 lbs (20 kgs) up to 880 lbs (400 kgs).
- **Daytime manual exchange** – 0 to 4000 mL

How do I change the time on my Liberty Select cycler?

When your machine arrives from the factory, it is pre-set to Pacific standard time. You need to reset this to your specific time zone.

Once you start your treatment, you cannot change the time. Therefore, you must make the change before you begin or wait until you are finished.

To change the time:

- Touch the **My Settings** button and select the Hardware tab.
- Touch the yellow **time format** box. It will turn orange.
- Use the **Up/Down** arrow keys to set it to AM/PM or 24-hour.
- Press **OK**.
- Now, touch the yellow **time** box. It will turn orange.
- Use the **Up/Down** arrow keys to set the hour. Press **OK**. Press the **Up/Down** arrow keys again to set the minutes. Press **OK**. The box will now turn yellow, indicating that you have set the time.

What personal health data do I enter into the Liberty Select cyclor?

- **Your Personal Health Data** – When you select **YES** under your personal data options for this setting you will be required to fill in the following data:
 - How much of each type of solution was used during your treatment
 - Last bag type (if different)
 - Blood glucose (sugar)
 - Weight
 - Pulse
 - Blood pressure
 - Temperature

A

Alarms 15
Alarm volume 12
Alignment bar 6

B

Bypass 23

C

Cassette insertion 3
Change the time 30
Cleaning the cyclor 25
Cycle Based Therapy 2, 17

D

Daytime manual exchange 10
Disconnecting from the cyclor 24
Drain complication 18
Drain time 17, 19
Dwell time 11

H

Hardware settings (Optional) 28
Heater tray 9

I

Increased Intraperitoneal Volume (IIPV) 20
IQdrive 13, 14, 27

O

Optional settings 26

P

Pause 8, 20, 22, 29
Personal health data 31
Power Fail recovery 22
Power Failure 21, 22

S

STAT drain 19, 20
stay•safe organizer 7, 8, 32
stay•safe PIN connector 7, 8, 18

T

Therapy ranges 29
Treatment Based therapy 2, 18

W

Warnings 16, 18

www.fmcna.com



Fresenius Renal Technologies, a division of Fresenius Medical Care North America • 4040 Nelson Avenue • Concord, CA 94520

**For all inquiries or questions, please contact Technical Support at 800-227-2572.
For medical or clinical questions, call your home therapy nurse or nurse on call.**

For safe and proper use of this device, refer to the Instructions for Use. For a complete description of hazards, contraindications, side effects and precautions, see full package labeling at www.fmcna.com.

Indications for Use: The Fresenius Liberty Select cyclor is indicated for acute and chronic peritoneal dialysis. The Fresenius stay•safe patient connectors are intended for use with a peritoneal cyclor for drainage and infusion of PD solution during a peritoneal dialysis exchanges. The Fresenius stay•safe patient connectors are indicated for use in acute and chronic peritoneal dialysis.

Caution: Federal (US) law restricts these devices to sale by or on the order of a physician.